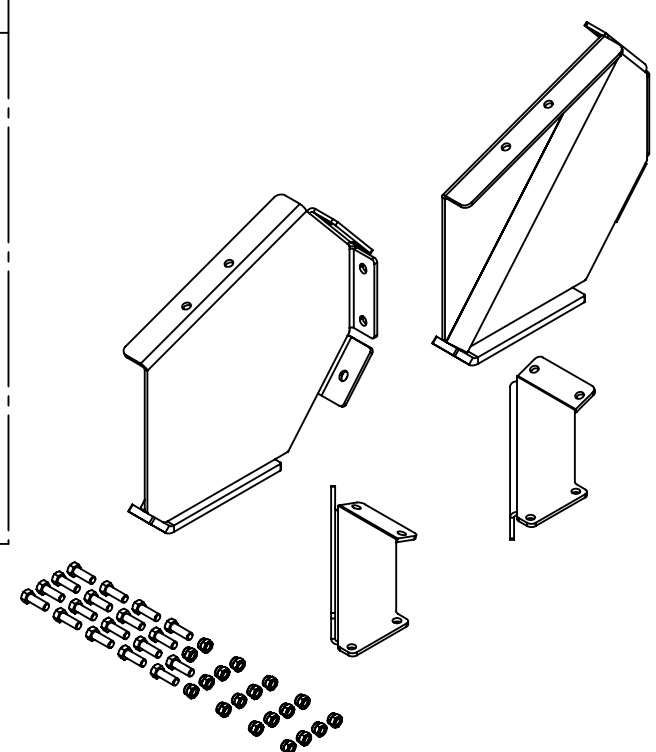
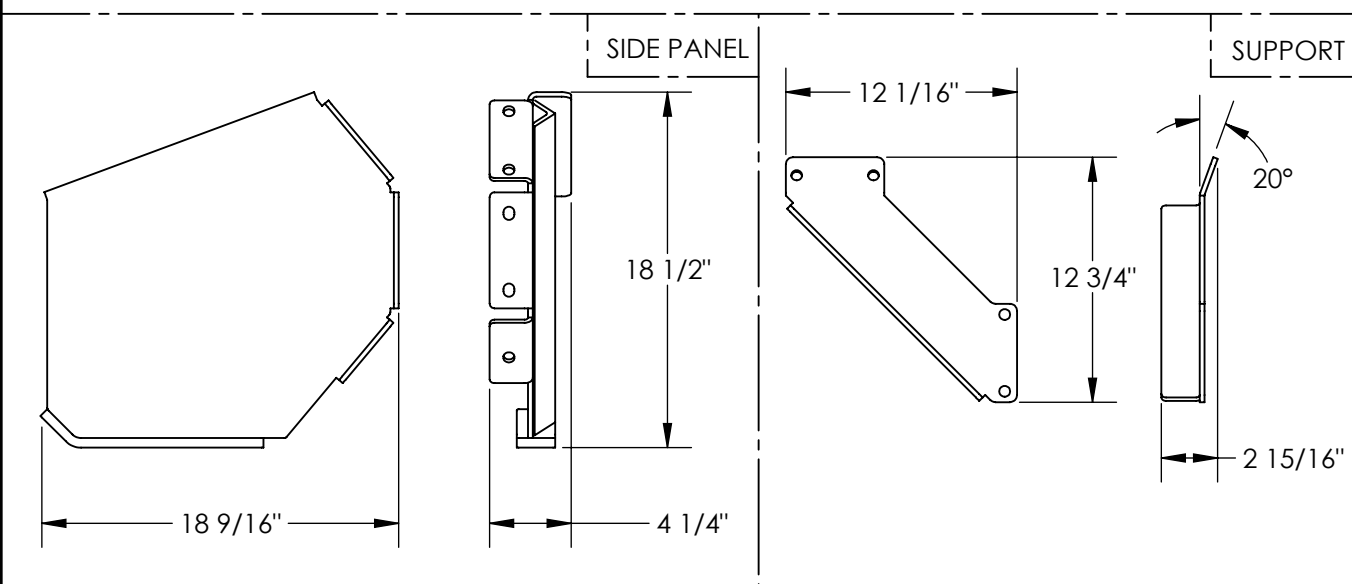


OPTIONAL SNOW PLOW BLADE SIDES - SPB-NP-EP-RF

APPROX WEIGHT: 76 lbs.
DOES NOT INCLUDE WEIGHT OF POWER OR PACKAGING!!!

*** ANY ADDITIONS, DELETIONS, OR OMISSIONS MUST BE CORRECTED ON THIS DRAWING AS THIS DRAWING WILL BE CONSIDERED ALL INCLUSIVE ***

ALL GRAPHICS PROVIDED ARE FOR REFERENCE ONLY. IF CERTAIN DIMENSIONS ARE CRITICAL PLEASE VERIFY THOSE DIMENSIONS WITH YOUR SALESPERSON



STANDARD FEATURES

MODEL NUMBER IS SPB-NP-EP-RF
INCLUDES:

- LEFT AND RIGHT SIDES
- LEFT AND RIGHT SUPPORTS
- 18 BOLTS
- 18 NUTS

ON SPB-N-72 FIELD INSTALL. HOLES MAY NEED TO BE DRILLED.
TOUGH BAKED IN POWDER COAT YELLOW FINISH

SIDE PANEL DIMENSIONS:

- OVER ALL LENGTH 18 9/16"
- OVER ALL WIDTH 4 1/4"
- OVER ALL HEIGHT 18 1/2"

SUPPORT DIMENSIONS:

- OVER ALL LENGTH 12 1/16"
- OVER ALL WIDTH 2 15/16"
- OVER ALL HEIGHT 12 3/4"

SPECIAL FEATURES

NONE

DIMENSION TOLERANCE ± 1/4"

APPROVAL	I, THE UNDERSIGNED, AGREE THAT THE PRODUCT AS REPRESENTED SATISFIES DESIGN AND DIMENSION REQUIREMENTS. I ALSO ACKNOWLEDGE MY DUTY TO CONFIRM PRODUCT AND INSTALLATION COMPLIANCE WITH ALL APPLICABLE FEDERAL, STATE AND LOCAL REGULATIONS AND STANDARDS.	
	ANY MODIFIED UNITS ARE NON-RETURNABLE	
	[] As drawn [] As marked	
Signed: _____		Date: _____
Printed Name: _____		
LEAD TIME WILL START UPON RECEIPT OF SIGNED APPROVAL DRAWING		

FOR INTERNAL USE ONLY PROJECT SIGN OFF	
SALES	
ENG.	
FAB.	
POWER	

DISTRIBUTOR'S NAME:		P.O.#
VESTIL MANUFACTURING		X
DRAWN BY: TAL		W.O.#
DATE: 3/19/2019		X
REFERENCE: X	SCALE: 1:10	SALES: X
QUOTED LEAD TIME: X	QUOTE #	FILE NAME:
	X	47-007-047