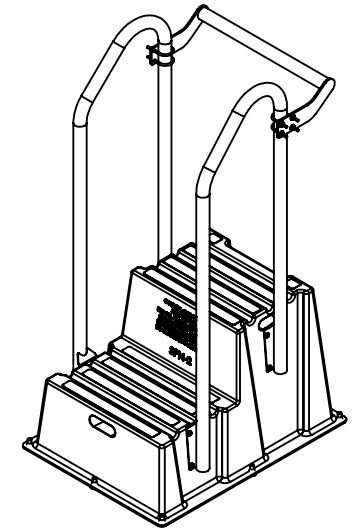
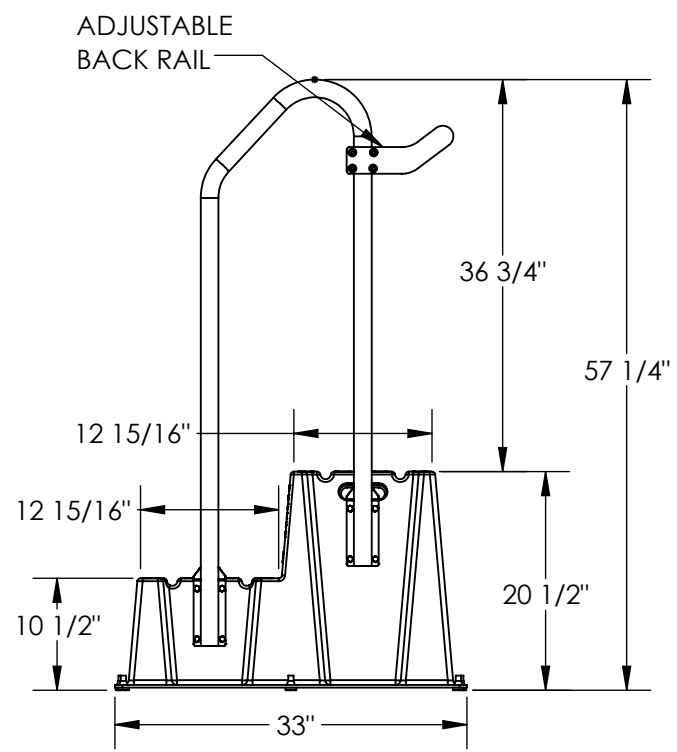
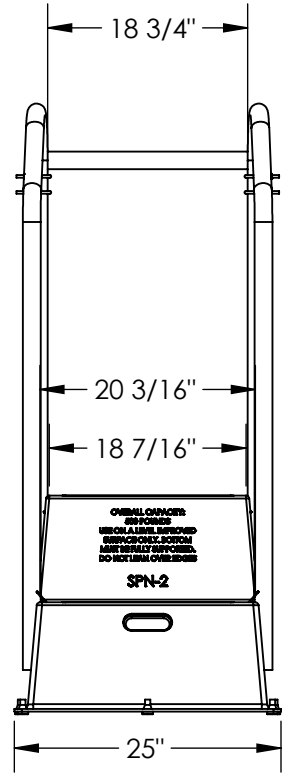


# NESTABLE STEP STOOL W/ HANDRAILS & BACK RAIL- SPN-2-YL-HR-BR

APPROX WEIGHT: 65 lbs.  
DOES NOT INCLUDE WEIGHT OF POWER OR PACKAGING!!!

\*\*\* ANY ADDITIONS, DELETIONS, OR OMISSIONS MUST BE CORRECTED ON THIS DRAWING AS THIS DRAWING WILL BE CONSIDERED ALL INCLUSIVE \*\*\*  
ALL GRAPHICS PROVIDED ARE FOR REFERENCE ONLY. IF CERTAIN DIMENSIONS ARE CRITICAL PLEASE VERIFY THOSE DIMENSIONS WITH YOUR SALESPERSON



## STANDARD FEATURES

- MODEL NUMBER IS SPN-2-YL-HR-BR
- OVERALL WIDTH IS 25"
- OVERALL LENGTH IS 33"
- OVERALL HEIGHT IS 57 1/4"
- FIRST STEP HEIGHT IS 10 1/2"
- SECOND STEP HEIGHT IS 20 1/2"
- FIRST STEP IS 20 3/16" X 12 15/16"
- SECOND STEP IS 18 7/16" X 12 15/16"
- MAX CAPACITY IS 500 LBS
- MADE OF MEDIUM DENSITY POLYETHYLENE
- COMES WITH ANTI-SLIP TAPE ON STEP SURFACE
- INCLUDES BOLT-ON HANDRAILS & BACK RAIL
- COLOR IS SAFETY YELLOW

## SPECIAL FEATURES

NONE

DIMENSION TOLERANCE ± 1/4"

<b>APPROVAL</b>	I, THE UNDERSIGNED, AGREE THAT THE PRODUCT AS REPRESENTED SATISFIES DESIGN AND DIMENSION REQUIREMENTS. I ALSO ACKNOWLEDGE MY DUTY TO CONFIRM PRODUCT AND INSTALLATION COMPLIANCE WITH ALL APPLICABLE FEDERAL, STATE AND LOCAL REGULATIONS AND STANDARDS.	
	<b>ANY MODIFIED UNITS ARE NON-RETURNABLE</b>	
	[ ] As drawn      [ ] As marked	
Signed: _____	Date: _____	
Printed Name: _____		
<b>LEAD TIME WILL START UPON RECEIPT OF SIGNED APPROVAL DRAWING</b>		

FOR INTERNAL USE ONLY PROJECT SIGN OFF	
SALES	
ENG.	
FAB.	
POWER	

DISTRIBUTOR'S NAME:		P.O.#
VESTIL MANUFACTURING		X
W.O.#		X
DRAWN BY: KGH	DATE: 1/13/2020	SALES: X
REFERENCE: X	SCALE: 1:18	FILE NAME:
QUOTED LEAD TIME: X	QUOTE # X	14-007-335