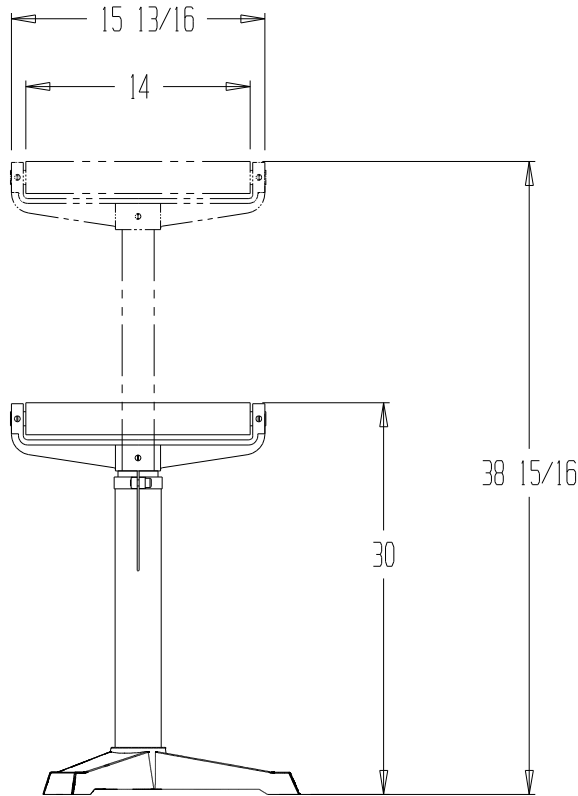
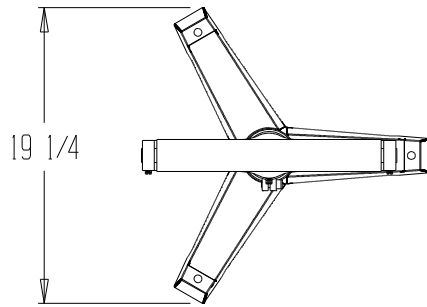


DELUXE ROLLER STAND, STAND-G-H



STANDARD FEATURES

MODEL NUMBER: STAND-G-H
 CAPACITY: 1760 LBS
 LOWERED HEIGHT(MIN): 30"
 RAISED HEIGHT(MAX): 38 15/16"
 14" HORIZONTAL ROLLER
 HEAVY-DUTY CAST-ST'L BASE
 ADJUSTABLE HEIGHT
 ROLLER IS 2" DIA & CHROME PLATED

SPECIAL FEATURES

NONE

Any additions, deletions or omissions must be corrected on this drawing, as this drawing will be considered all inclusive.

PRODUCTION WILL START UPON
 RECEIPT OF SIGNED APPROVAL
 DRAWING

**SPECIAL UNITS ARE NON-RETURNABLE
 *AVAILABLE AT ADDITIONAL COSTS

All graphics provided are for reference only.
 If certain dimensions are critical please
 verify those dimensions with your salesperson

**A
P
P
R
O
V
A
L**

I, THE UNDERSIGNED, AGREE THAT THE PRODUCT AS REPRESENTED SATISFIES DESIGN & DIMENSION REQUIREMENTS. I ALSO ACKNOWLEDGE MY DUTY TO CONFIRM PRODUCT & INSTALLATION COMPLIANCE WITH ALL APPLICABLE FEDERAL, STATE AND LOCAL REGULATIONS & STANDARDS.

UNITS REQUIRING APPROVAL DRAWINGS OR MODIFIED ARE NON-RETURNABLE
 As drawn As marked

Signed: _____ Date: _____
 Printed Name _____

LEAD TIME WILL START UPON RECEIPT OF SIGNED APPROVAL DRAWING

DISTRIBUTOR'S NAME: VESTIL MANUFACTURING		P.O.#: -
DRAWN BY: TAL		DATE: 2/8/2024
REFERENCE: -	SCALE: 1:12	SALES: -
QUOTED LEADTIME: -	QUOTE #: -	DRWG./FILE NAME: STAND-G-H