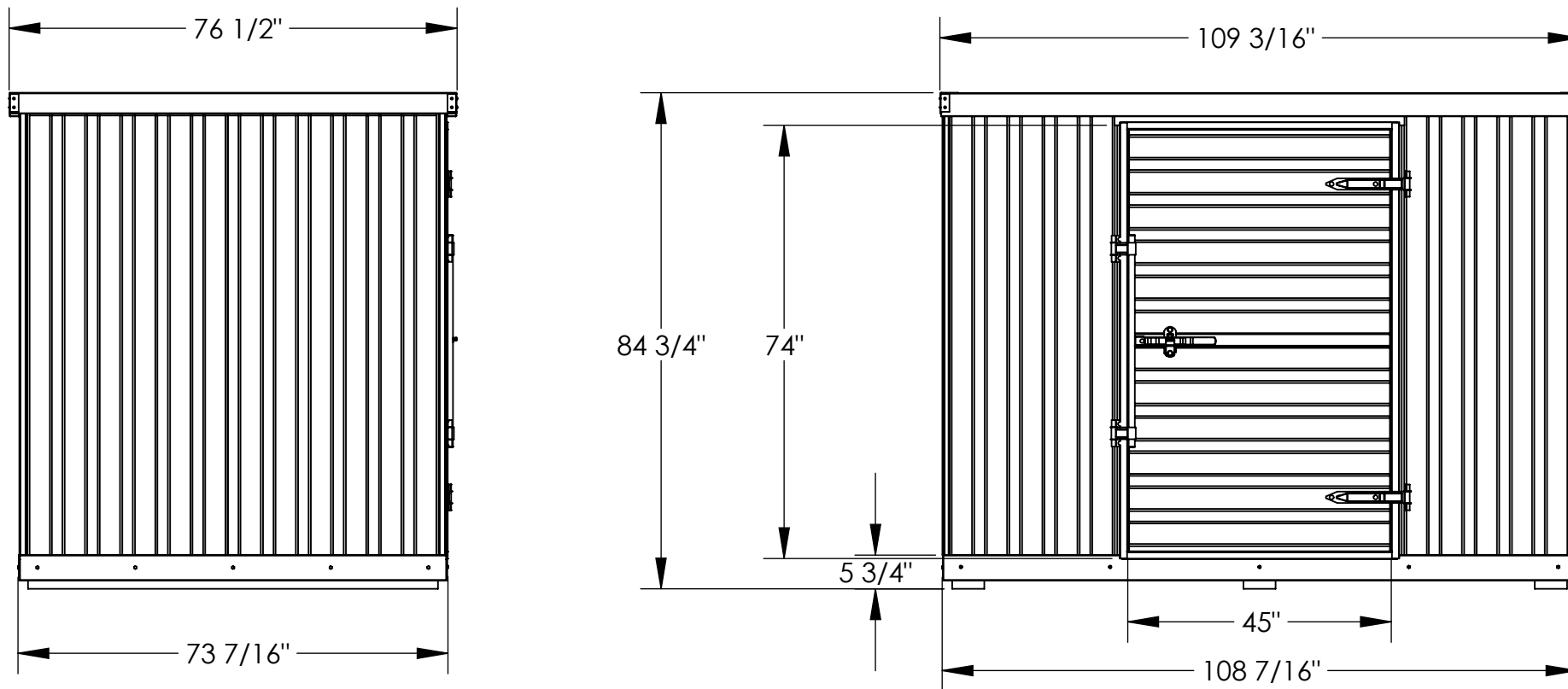


SINGLE DEPTH STORAGE BUILDING - STOR-96-G-W-1RH

APPROX WEIGHT: 762.25 lbs.
 DOES NOT INCLUDE WEIGHT OF POWER OR PACKAGING!!!

*** ANY ADDITIONS, DELETIONS, OR OMISSIONS MUST BE CORRECTED ON THIS DRAWING AS THIS DRAWING WILL BE CONSIDERED ALL INCLUSIVE ***

ALL GRAPHICS PROVIDED ARE FOR REFERENCE ONLY. IF CERTAIN DIMENSIONS ARE CRITICAL PLEASE VERIFY THOSE DIMENSIONS WITH YOUR SALESPERSON



STANDARD FEATURES

- MODEL NUMBER IS: STOR-96-G-W-1RH
- GALVANIZED STEEL CONSTRUCTION
- 51 SQ-FT USABLE FLOOR SPACE
- UNIFORM CAPACITY OF FLOOR IS: 2,750 #
- OVERALL WIDTH IS: 109 3/16"
- USABLE WIDTH INSIDE IS: 104 3/4"
- OVERALL DEPTH IS: 76 1/2"
- USABLE DEPTH INSIDE IS: 69 3/4"
- OVERALL HEIGHT IS: 84 3/4"
- USABLE HEIGHT INSIDE IS: 77 7/16"
- USABLE DOOR OPENING IS: 45" W X 74" H
- WOODEN FLOOR HEIGHT IS: 5 3/4" H
- ROOF CAN SUPPORT SNOW WEIGHT UP TO 45 LBS PER SQ-FT

SPECIAL FEATURES

NONE

DIMENSION TOLERANCE ± 1/4"

APPROVAL

I, THE UNDERSIGNED, AGREE THAT THE PRODUCT AS REPRESENTED SATISFIES DESIGN AND DIMENSION REQUIREMENTS. I ALSO ACKNOWLEDGE MY DUTY TO CONFIRM PRODUCT AND INSTALLATION COMPLIANCE WITH ALL APPLICABLE FEDERAL, STATE AND LOCAL REGULATIONS AND STANDARDS.

UNITS REQUIRING APPROVAL DRAWINGS OR MODIFIED ARE NON-RETURNABLE

As drawn As marked

Signed: _____ Date: _____

Printed Name: _____

LEAD TIME WILL START UPON RECEIPT OF SIGNED APPROVAL DRAWING

FOR INTERNAL USE ONLY
 PROJECT SIGN OFF

SALES	
ENG.	
FAB.	
POWER	

DISTRIBUTOR'S NAME: VESTIL MANUFACTURING		P.O.# X
DRAWN BY: ND		W.O.# X
DATE: 12/23/11	SALES: X	FILE NAME:
REFERENCE: X	SCALE: 1:28	41-007-006
QUOTED LEAD TIME: X	QUOTE # X	