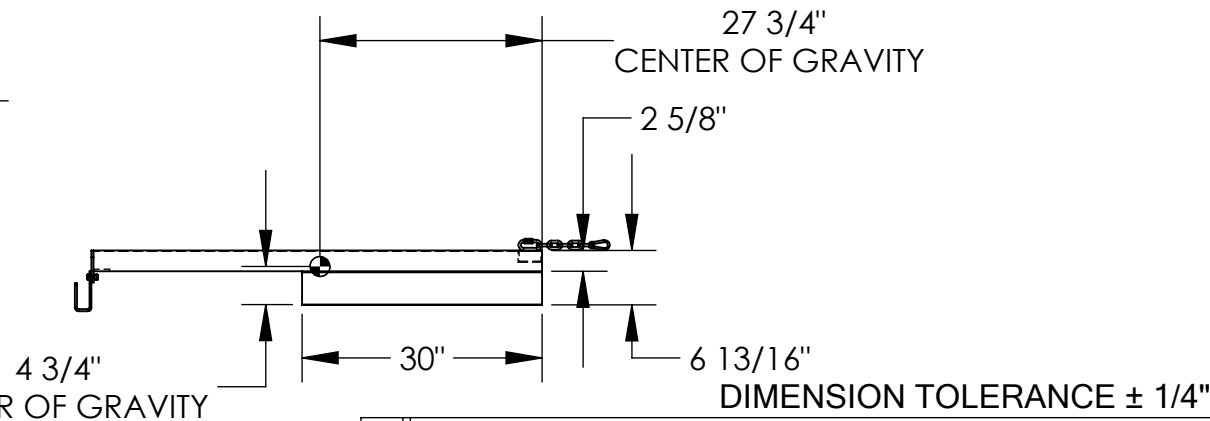
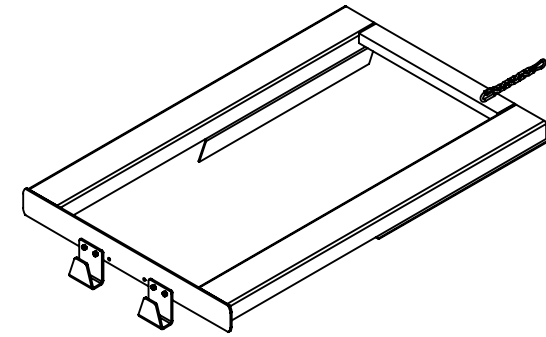
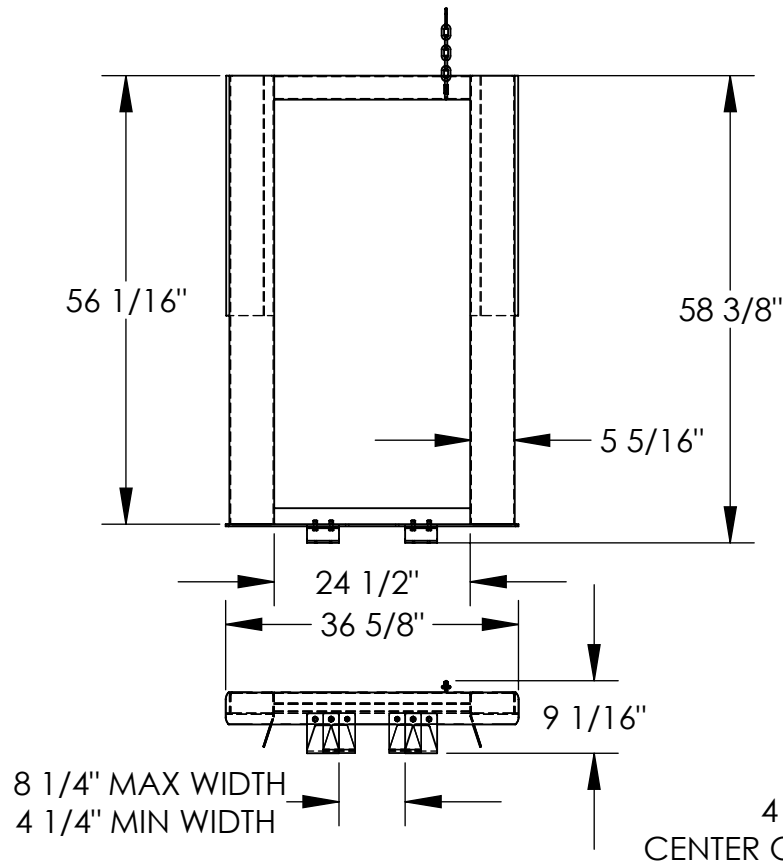


FORK MOUNTED TRASH CAN DUMPER - TCD-FM-E

APPROX WEIGHT: 94.64 lbs.
 DOES NOT INCLUDE WEIGHT OF POWER OR PACKAGING!!!

*** ANY ADDITIONS, DELETIONS, OR OMISSIONS MUST BE CORRECTED ON THIS DRAWING AS THIS DRAWING WILL BE CONSIDERED ALL INCLUSIVE ***

ALL GRAPHICS PROVIDED ARE FOR REFERENCE ONLY. IF CERTAIN DIMENSIONS ARE CRITICAL PLEASE VERIFY THOSE DIMENSIONS WITH YOUR SALESPERSON



DIMENSION TOLERANCE ± 1/4"

STANDARD FEATURES

- MODEL NUMBER: TCD-FM-E
- OVERALL WIDTH: 36 5/8"
- WIDTH BETWEEN FORK POCKETS: 24 1/2"
- OVERALL LENGTH: 58 3/8"
- OVERALL HEIGHT: 9 1/16"
- VERTICAL CENTER OF GRAVITY: 4 3/4"
- HORIZONTAL CENTER OF GRAVITY: 27 3/4"
- EFFECTIVE THICKNESS: FORK LENGTH - 56 1/16"
- FORKS MUST BE AT LEAST 56" LONG
- THEN EFFECTIVE THICKNESS EQUALS LESS THAN 1"
- USABLE FORK POCKET WIDTH: 5 5/16"
- ADJUSTABLE FRONT-HOOKS TO ACCOMMODATE VARIOUS SIZED TRASH CANS
- MAXIMUM BRACKET WIDTH: 8 1/4"
- MINIMUM BRACKET WIDTH: 4 1/4"
- INCLUDES SAFETY CHAIN
- TOUGH BAKED IN POWDER COAT BLUE FINISH

SPECIAL FEATURES

- NONE
- APPROX. WEIGHT / LOST LOAD = 94.64
- MINIMUM EFFECTIVE THICKNESS:
- FORKS UNDER 56" LESS THAN 1"
- FORKS OVER 56" = LENGTH MINUS 56"
- NEVER EXCEED LOAD CENTER RATING PER FORKTRUCK MANUFACTURERS GUIDELINES.
- DO NOT USE THIS FORK TRUCK ATTACHMENT IF LOAD WILL EXCEED FORK TRUCK MANUFACTURER'S LOAD CENTER RATING

APPROVAL

I, THE UNDERSIGNED, AGREE THAT THE PRODUCT AS REPRESENTED SATISFIES DESIGN AND DIMENSION REQUIREMENTS. I ALSO ACKNOWLEDGE MY DUTY TO CONFIRM PRODUCT AND INSTALLATION COMPLIANCE WITH ALL APPLICABLE FEDERAL, STATE AND LOCAL REGULATIONS AND STANDARDS.

UNITS REQUIRING APPROVAL DRAWINGS OR MODIFIED ARE NON-RETURNABLE

[] As drawn [] As marked

Signed: _____ Date: _____

Printed Name: _____

LEAD TIME WILL START UPON RECEIPT OF SIGNED APPROVAL DRAWING

DISTRIBUTOR'S NAME:		P.O.#
VESTIL MANUFACTURING		X
DRAWN BY: TJM		W.O.#
DATE: 08/08/08		X
REFERENCE: X	SCALE: 1:24	SALES: X
QUOTED LEAD TIME: X	QUOTE #	FILE NAME:
	X	34-007-020