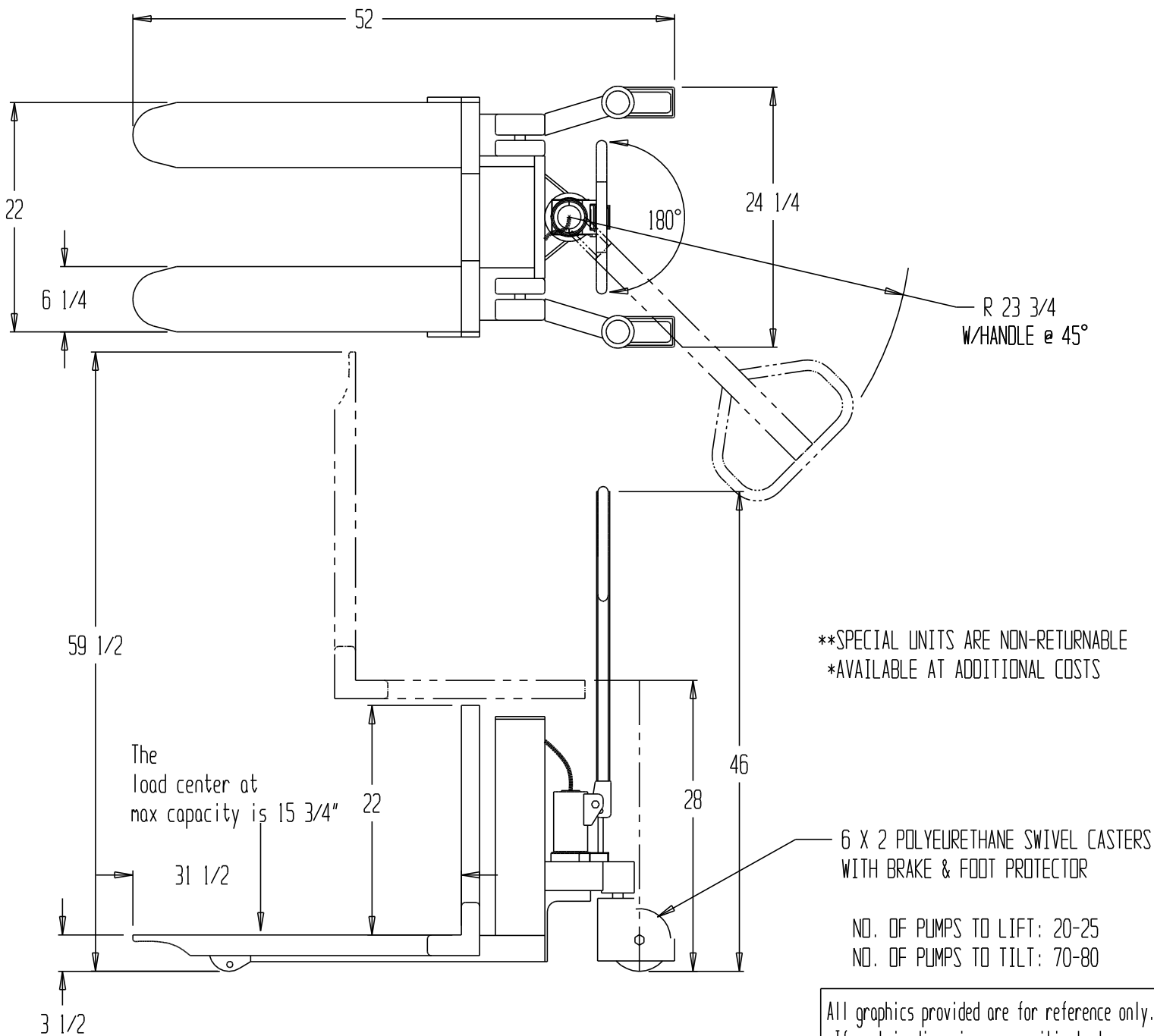


MANUAL TILT MASTER, TM-22-M



**SPECIAL UNITS ARE NON-RETURNABLE
*AVAILABLE AT ADDITIONAL COSTS

6 X 2 POLYURETHANE SWIVEL CASTERS
WITH BRAKE & FOOT PROTECTOR

NO. OF PUMPS TO LIFT: 20-25
NO. OF PUMPS TO TILT: 70-80

All graphics provided are for reference only.
If certain dimensions are critical please
verify those dimensions with your salesperson

STANDARD FEATURES

MODEL NUMBER: TM-22-M
CAPACITY: 2,200 LBS.
OVERALL WIDTH: 25 1/4"
OVERALL LENGTH: 52"
HANDLE HEIGHT: 46"
FORK LENGTH: 31 1/2"
FORKS O.D.: 22"
INDIVIDUAL FORK WIDTH: 6 1/2"
FORK LOWERED HEIGHT: 3 1/2"
VERTICAL LIFT HEIGHT: 11 1/4"

SPECIAL FEATURES

NONE

PRODUCTION WILL START UPON
RECEIPT OF SIGNED APPROVAL
DRAWING

**SPECIAL UNITS ARE NON-RETURNABLE
*AVAILABLE AT ADDITIONAL COSTS

FOR INTERNAL USE ONLY	
PROJECT SIGN OFF	
SALES	
ENG	
FAB.	
POWER	

I, THE UNDERSIGNED, AGREE THAT THE PRODUCT AS REPRESENTED SATISFIES DESIGN & DIMENSION REQUIREMENTS. I ALSO ACKNOWLEDGE MY DUTY TO CONFIRM PRODUCT & INSTALLATION COMPLIANCE WITH ALL APPLICABLE FEDERAL, STATE AND LOCAL REGULATIONS & STANDARDS.
ANY MODIFIED UNITS ARE NON-RETURNABLE
() As drawn () As marked
Signed: _____ Date: _____
Printed Name: _____
LEAD TIME WILL START UPON RECEIPT OF SIGNED APPROVAL DRAWING

DISTRIBUTOR'S NAME: VESTIL MANUFACTURING		P.O.#: -
DRAWN BY: SR		W.O.#: -
DATE: 2-24-05		SALES: -
REFERENCE: -	SCALE: 1:14	DRWG./FILE NAME:
QUOTED LEADTIME: -	QUOTE #: -	TM-22-M