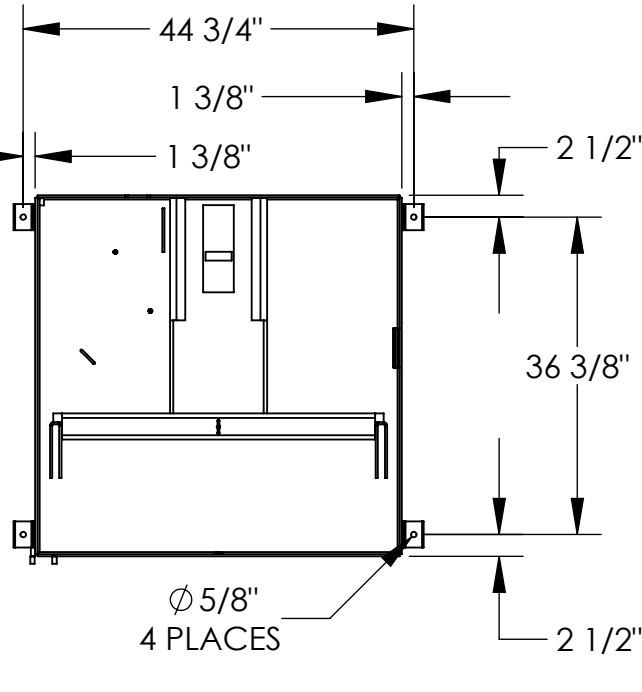


SINGLE SCISSOR LIFT & TILT TABLE - UNI-5448-4

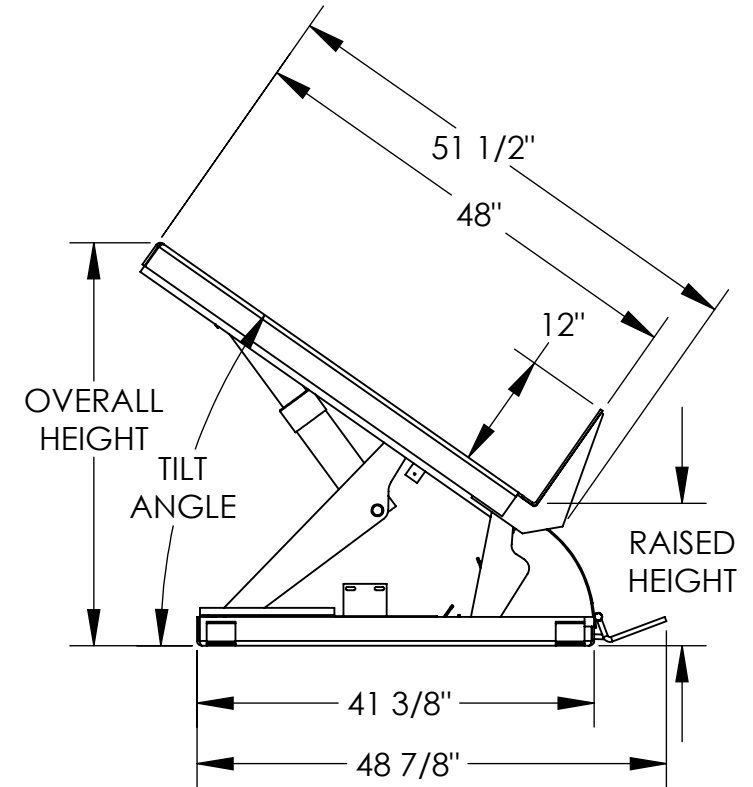
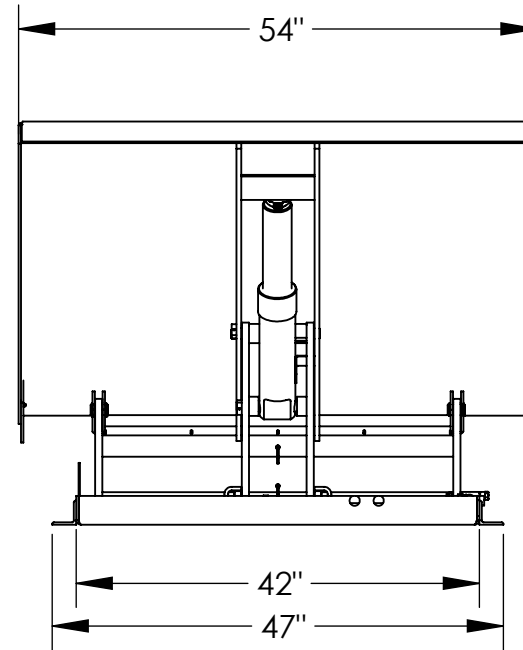
APPROX WEIGHT: 721.46 lbs.
 DOES NOT INCLUDE WEIGHT OF POWER OR PACKAGING!!!

*** ANY ADDITIONS, DELETIONS, OR OMISSIONS MUST BE CORRECTED ON THIS DRAWING AS THIS DRAWING WILL BE CONSIDERED ALL INCLUSIVE ***

ALL GRAPHICS PROVIDED ARE FOR REFERENCE ONLY. IF CERTAIN DIMENSIONS ARE CRITICAL PLEASE VERIFY THOSE DIMENSIONS WITH YOUR SALESPERSON



LAG HOLE PATTERN
 SCALE 1:22



DIMENSION TOLERANCE ± 1/4"

SPECIAL FEATURES

NONE

STANDARD FEATURES

- MODEL NUMBER IS: UNI-5448-4
- CAPACITY: 4,000 LBS. EVENLY DISTRIBUTED
- SEQUENCE 1: RAISED HEIGHT: 14 3/4", TILT ANGLE 35°
 OVERALL HEIGHT: 42"
- SEQUENCE 2: RAISED HEIGHT 11 3/4", TILT ANGLE: 40°
 OVERALL HEIGHT 42 1/4"
- LEVEL HEIGHT: 8"
- DECK SIZE: 54" W X 48" L WITH 12" LIP
- INTEGRAL MAINTENANCE LOCK
- ADJUSTABLE UPWARD TRAVEL LIMIT SWITCH
- UNIT MUST BE LAGGED TO THE FLOOR
- DURABLE LIQUID PAINT BLUE FINISH

PLEASE CIRCLE SPECIFICATIONS:

POWER	<input checked="" type="checkbox"/> AC	<input type="checkbox"/> * DC	<input type="checkbox"/> * AIR/OIL	
MOTOR VOLTAGE	<input type="checkbox"/> 115	<input type="checkbox"/> 208	<input type="checkbox"/> 230	<input checked="" type="checkbox"/> 460
DEDICATED CIRCUIT REQUIRED				
MOTOR PHASE	<input type="checkbox"/> SINGLE	<input checked="" type="checkbox"/> THREE		
CONTROL	<input checked="" type="checkbox"/> HAND	<input type="checkbox"/> * FOOT		
~ ALL BATTERY CHARGERS ARE 115V AC ~				
* BATTERY CHRG.	<input checked="" type="checkbox"/> REMOTE	<input type="checkbox"/> ON-BOARD		
* CHRG. INDICATOR	<input checked="" type="checkbox"/> YES	<input type="checkbox"/> NO		

* AVAILABLE AT ADDITIONAL COST

APPROVAL

I, THE UNDERSIGNED, AGREE THAT THE PRODUCT AS REPRESENTED SATISFIES DESIGN AND DIMENSION REQUIREMENTS. I ALSO ACKNOWLEDGE MY DUTY TO CONFIRM PRODUCT AND INSTALLATION COMPLIANCE WITH ALL APPLICABLE FEDERAL, STATE AND LOCAL REGULATIONS AND STANDARDS.

UNITS REQUIRING APPROVAL DRAWINGS OR MODIFIED ARE NON-RETURNABLE

[] As drawn [] As marked

Signed: _____ Date: _____

Printed Name: _____

LEAD TIME WILL START UPON RECEIPT OF SIGNED APPROVAL DRAWING

DISTRIBUTOR'S NAME:		P.O.#
VESTIL MANUFACTURING		X
DRAWN BY: A. FORD		W.O.#
DATE: 09/19/2007		X
REFERENCE: X	SCALE: 1:20	SALES: X
QUOTED LEAD TIME: X	QUOTE #	FILE NAME:
	X	03-007-018