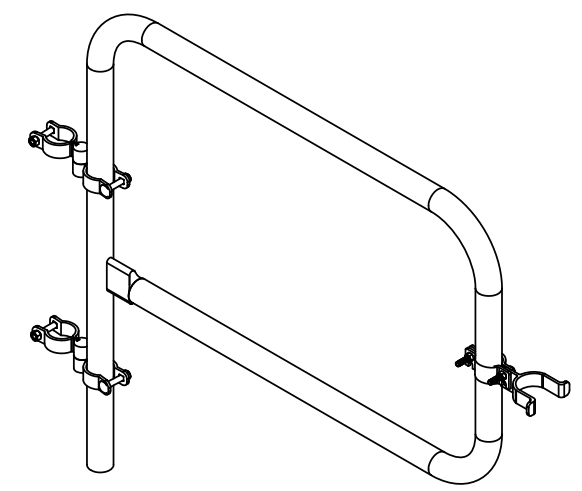
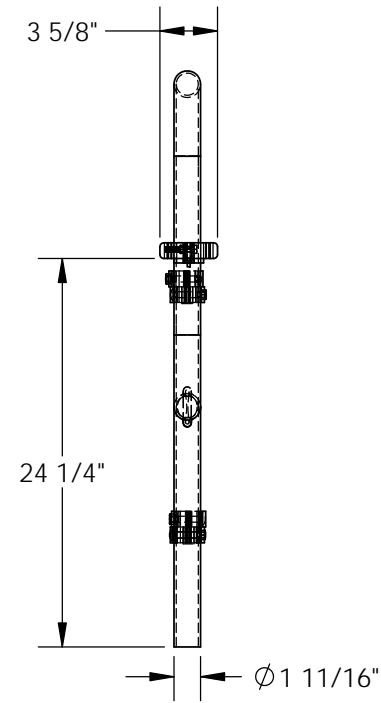
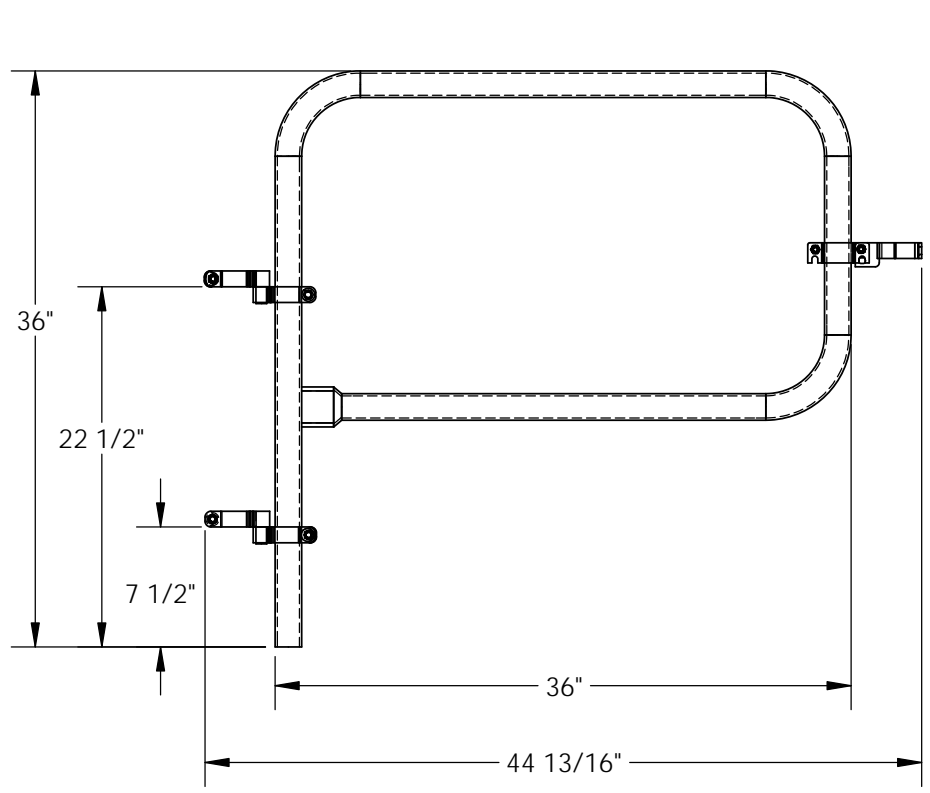


THREE FOOT STEEL GATE - VDKR-G3

APPROX WEIGHT: 25.92 lbs.
 DOES NOT INCLUDE WEIGHT OF POWER OR PACKAGING!!!

*** ANY ADDITIONS, DELETIONS, OR OMISSIONS MUST BE CORRECTED ON THIS DRAWING AS THIS DRAWING WILL BE CONSIDERED ALL INCLUSIVE ***

ALL GRAPHICS PROVIDED ARE FOR REFERENCE ONLY. IF CERTAIN DIMENSIONS ARE CRITICAL PLEASE VERIFY THOSE DIMENSIONS WITH YOUR SALESPERSON



STANDARD FEATURES

- MODEL NUMBER IS VDKR-G3
- OVERALL WIDTH IS 3 5/8"
- USABLE WIDTH IS ϕ 1 11/16"
- OVERALL LENGTH IS 44 13/16"
- USABLE LENGTH IS 36"
- OVERALL HEIGHT IS 36"

SPECIAL FEATURES

NONE

DIMENSION TOLERANCE \pm 1/4"

A P P R O V A L	I, THE UNDERSIGNED, AGREE THAT THE PRODUCT AS REPRESENTED SATISFIES DESIGN AND DIMENSION REQUIREMENTS. I ALSO ACKNOWLEDGE MY DUTY TO CONFIRM PRODUCT AND INSTALLATION COMPLIANCE WITH ALL APPLICABLE FEDERAL, STATE AND LOCAL REGULATIONS AND STANDARDS.	
	ALL SPECIAL UNITS ARE NON-RETURNABLE	
	[] As drawn [] As marked	
Signed: _____		Date: _____
LEAD TIME WILL START UPON RECEIPT OF SIGNED APPROVAL DRAWING		

FOR INTERNAL USE ONLY PROJECT SIGN OFF		DISTRIBUTOR'S NAME:		P.O.#
		VESTIL MANUFACTURING		X
SALES		DRAWN BY:	C.CLEMENS	DATE:
ENG.				6/11/15
FAB.		REFERENCE:	X	SCALE: 1:12
POWER		QUOTED LEAD TIME:	X	QUOTE #
				X
				FILE NAME:
				23-007-582