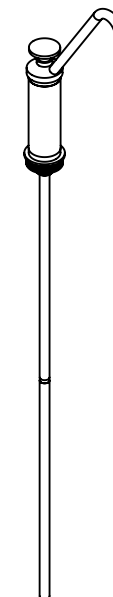
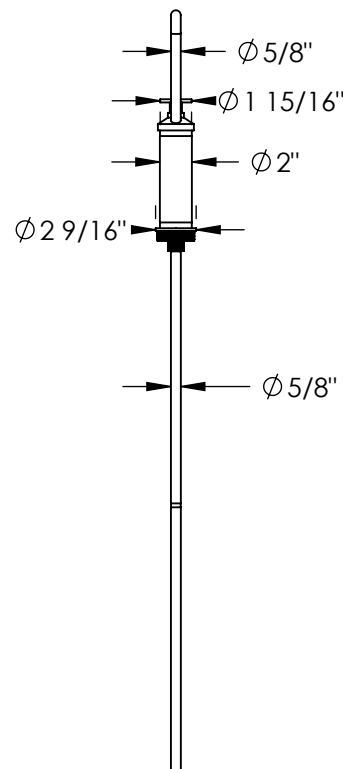
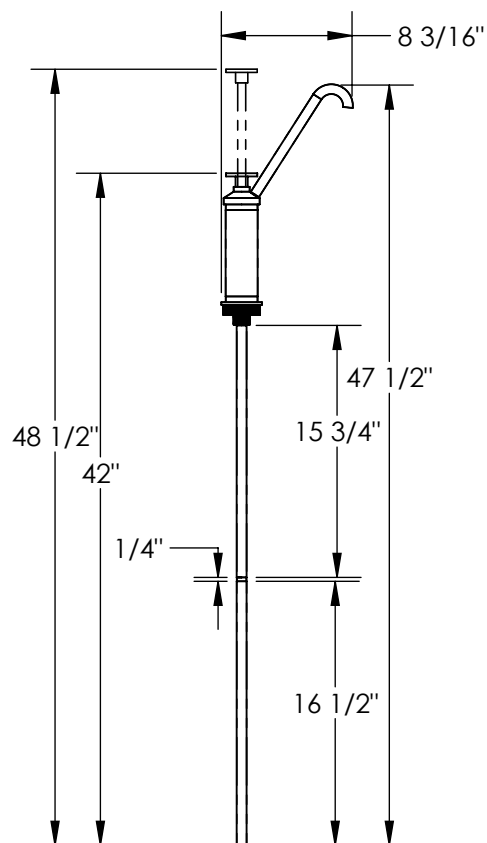


SELF-VENTING (POLYPROPYLENE) - VDP

APPROX WEIGHT: 1.57 lbs.
DOES NOT INCLUDE WEIGHT OF POWER OR PACKAGING!!!

*** ANY ADDITIONS, DELETIONS, OR OMISSIONS MUST BE CORRECTED ON THIS DRAWING AS THIS DRAWING WILL BE CONSIDERED ALL INCLUSIVE ***
ALL GRAPHICS PROVIDED ARE FOR REFERENCE ONLY. IF CERTAIN DIMENSIONS ARE CRITICAL PLEASE VERIFY THOSE DIMENSIONS WITH YOUR SALESPERSON



DIMENSION TOLERANCE $\pm 1/4$ "

STANDARD FEATURES

MODEL NUMBER IS VDP
OVERALL WIDTH IS 2 9/16"
OVERALL LENGTH IS 8 3/16"
OVERALL HEIGHT IS 48 1/2"
FITS 3/4" & 2" BUNG
DISPLACEMENT PER STROKE 8oz.
CONSTRUCTION POLYPROPYLENE
COMES WITH PAIL ADAPTER, CLAMPS, AND SLEEVES TO ADJUST DISPLACEMENT PER STROKE
EXCEPTIONAL RESISTANCE TO CORRSIVE CHEMICALS (NON-FLAMMABLE SOLVENTS)

SPECIAL FEATURES

NONE

APPROVAL

I, THE UNDERSIGNED, AGREE THAT THE PRODUCT AS REPRESENTED SATISFIES DESIGN AND DIMENSION REQUIREMENTS. I ALSO ACKNOWLEDGE MY DUTY TO CONFIRM PRODUCT AND INSTALLATION COMPLIANCE WITH ALL APPLICABLE FEDERAL, STATE AND LOCAL REGULATIONS AND STANDARDS.
ALL SPECIAL UNITS ARE NON-RETURNABLE
[] As drawn [] As marked

Signed: _____ Date: _____

LEAD TIME WILL START UPON RECEIPT OF SIGNED APPROVAL DRAWING

DISTRIBUTOR'S NAME:		P.O.#
VESTIL MANUFACTURING		X
DRAWN BY: RS		DATE: 08/22/2012
REFERENCE: X		SCALE: 1:12
QUOTED LEAD TIME: X		QUOTE # X
		SALES: X
		FILE NAME: 40-007-056