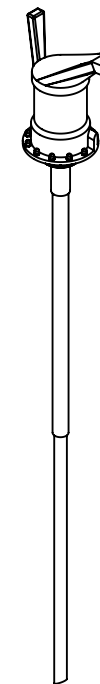
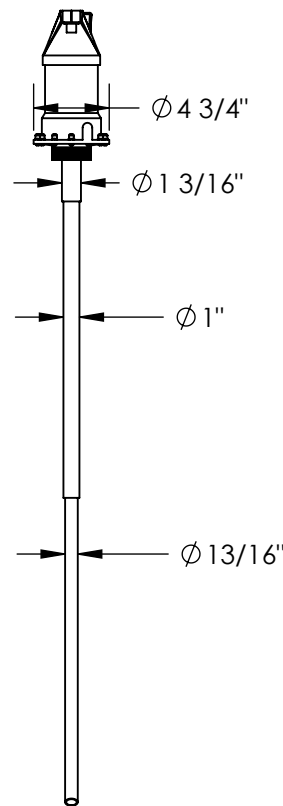
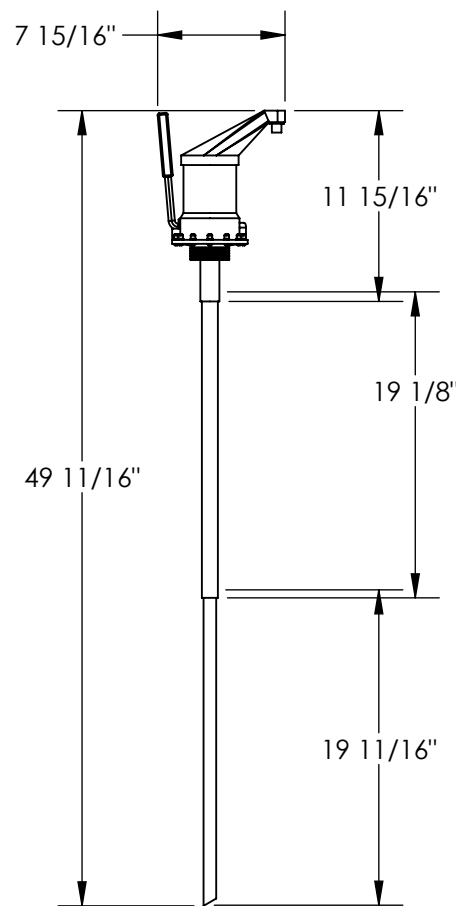


# LEVER ACTION (POLYPROPYLENE) - VLDP

APPROX WEIGHT: 1.10 lbs.  
DOES NOT INCLUDE WEIGHT OF POWER OR PACKAGING!!!

\*\*\* ANY ADDITIONS, DELETIONS, OR OMISSIONS MUST BE CORRECTED ON THIS DRAWING AS THIS DRAWING WILL BE CONSIDERED ALL INCLUSIVE \*\*\*

ALL GRAPHICS PROVIDED ARE FOR REFERENCE ONLY. IF CERTAIN DIMENSIONS ARE CRITICAL PLEASE VERIFY THOSE DIMENSIONS WITH YOUR SALESPERSON



DIMENSION TOLERANCE  $\pm 1/4''$

## STANDARD FEATURES

MODEL NUMBER IS VLDP  
OVERALL WIDTH IS 4 3/4"  
OVERALL LENGTH IS 7 15/16"  
OVERALL HEIGHT IS 49 11/16"  
DISPLACEMENT PER STROKE IS 10oz.  
FITS 2" BUNG  
CONSTRUCTION POLYPROPYLENE  
HANDLES VISCOUS LIQUIDS UP TO 12,000 cPs  
(EQUIVALENT TO SAE 90 OIL). NOT FOR USE  
ABOVE 125°F OR WITH HEATED DRUMS.

## SPECIAL FEATURES

NONE

APPROVAL

I, THE UNDERSIGNED, AGREE THAT THE PRODUCT AS REPRESENTED SATISFIES DESIGN AND DIMENSION REQUIREMENTS. I ALSO ACKNOWLEDGE MY DUTY TO CONFIRM PRODUCT AND INSTALLATION COMPLIANCE WITH ALL APPLICABLE FEDERAL, STATE AND LOCAL REGULATIONS AND STANDARDS.  
**ALL SPECIAL UNITS ARE NON-RETURNABLE**  
[ ] As drawn [ ] As marked

Signed: \_\_\_\_\_ Date: \_\_\_\_\_

LEAD TIME WILL START UPON RECEIPT OF SIGNED APPROVAL DRAWING

DISTRIBUTOR'S NAME:		P.O.#
VESTIL MANUFACTURING		X
DRAWN BY: RS		W.O.#
DATE: 08/22/2012		X
REFERENCE: X	SCALE: 1:12	SALES: X
QUOTED LEAD TIME: X	QUOTE #	FILE NAME:
	X	40-007-058