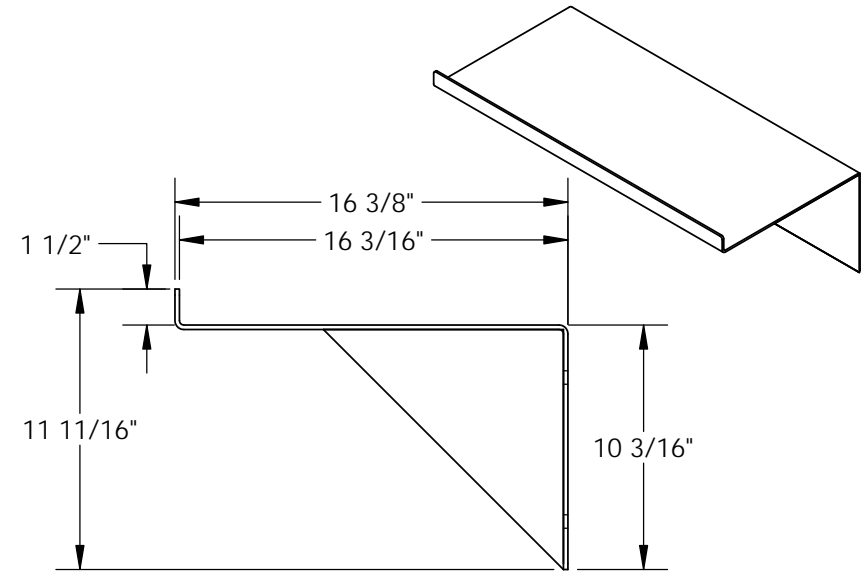
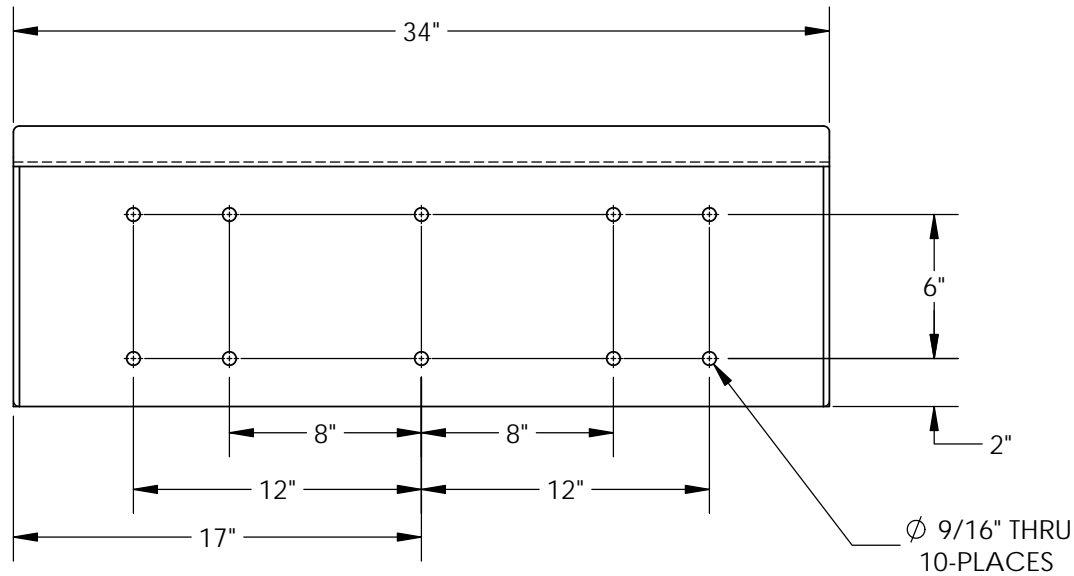


# DOCK LIFT RESERVOIR MOUNT BRACKET - WL-RMB

APPROX WEIGHT: 56.91 lbs.  
DOES NOT INCLUDE WEIGHT OF POWER OR PACKAGING !!!

\*\*\* ANY ADDITIONS, DELETIONS, OR OMISSIONS MUST BE CORRECTED ON THIS DRAWING AS THIS DRAWING WILL BE CONSIDERED ALL INCLUSIVE \*\*\*

ALL GRAPHICS PROVIDED ARE FOR REFERENCE ONLY. IF CERTAIN DIMENSIONS ARE CRITICAL PLEASE VERIFY THOSE DIMENSIONS WITH YOUR SALESPERSON



DO NOT DUPLICATE © 2017 VESTIL MANUFACTURING

DIMENSION TOLERANCE ± 1/4"

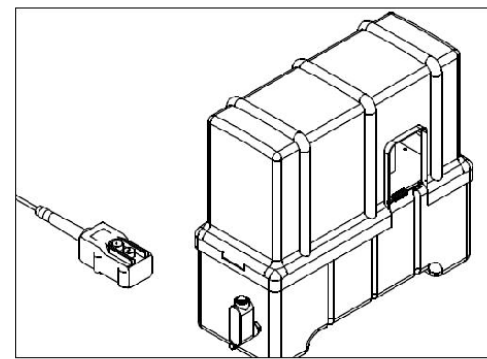
## STANDARD FEATURES

MODEL NUMBER IS WL-RMB  
OVERALL WIDTH IS 34"  
USABLE WIDTH IS 34"  
OVERALL LENGTH IS 16 3/8"  
USABLE LENGTH IS 16 3/16"  
OVERALL HEIGHT IS 11 11/16"

## SPECIAL FEATURES

NONE

**HYDRAULIC UNIT**  
**OVERALL DIMENSIONS**  
**14"W x 33"L x 31"H**  
**(COMES W/ 8FT HOSE)**



FOR INTERNAL USE ONLY PROJECT SIGN OFF	
SALES	
ENG.	
FAB.	
POWER	

**APPROVAL**

I, THE UNDERSIGNED, AGREE THAT THE PRODUCT AS REPRESENTED SATISFIES DESIGN AND DIMENSION REQUIREMENTS. I ALSO ACKNOWLEDGE MY DUTY TO CONFIRM PRODUCT AND INSTALLATION COMPLIANCE WITH ALL APPLICABLE FEDERAL, STATE AND LOCAL REGULATIONS AND STANDARDS.

**ANY MODIFIED UNITS ARE NON-RETURNABLE**

[ ] As drawn      [ ] As marked

Signed: \_\_\_\_\_ Date: \_\_\_\_\_

Printed Name: \_\_\_\_\_

LEAD TIME WILL START UPON RECEIPT OF SIGNED APPROVAL DRAWING

DISTRIBUTOR'S NAME:		P.O.#
VESTIL MANUFACTURING		X
DRAWN BY: DLS	DATE: 01/10/2017	W.O.#
REFERENCE: X	SCALE: 1:8	X
QUOTED LEAD TIME: X	QUOTE #	FILE NAME:
	X	05-007-331