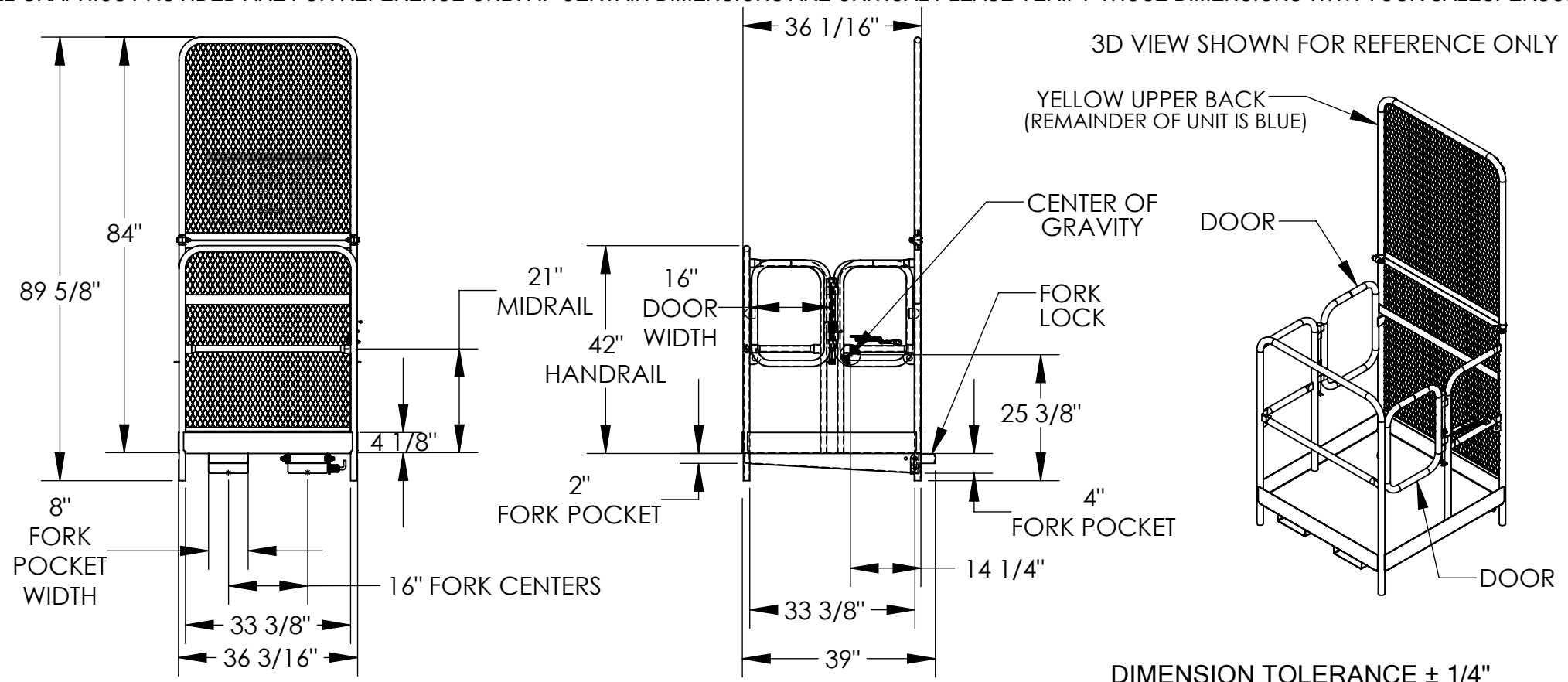


HIGH BACK/DUAL SIDE DOOR WORK PLATFORM - WP-3636-84B-DD

APPROX WEIGHT: 209.05 lbs.
 DOES NOT INCLUDE WEIGHT OF POWER OR PACKAGING!!!

*** ANY ADDITIONS, DELETIONS, OR OMISSIONS MUST BE CORRECTED ON THIS DRAWING AS THIS DRAWING WILL BE CONSIDERED ALL INCLUSIVE ***
 ALL GRAPHICS PROVIDED ARE FOR REFERENCE ONLY. IF CERTAIN DIMENSIONS ARE CRITICAL PLEASE VERIFY THOSE DIMENSIONS WITH YOUR SALESPERSON



3D VIEW SHOWN FOR REFERENCE ONLY

YELLOW UPPER BACK
 (REMAINDER OF UNIT IS BLUE)

CENTER OF GRAVITY

DOOR

FORK LOCK

25 3/8"

4" FORK POCKET

DOOR

DIMENSION TOLERANCE ± 1/4"

STANDARD FEATURES

- MODEL NUMBER IS WP-3636-84B-DD
- CAPACITY IS 1,000 LBS. (EVENLY DISTRIBUTED LOAD)
- OVERALL WIDTH IS 36 3/16"
- USABLE WIDTH IS 33 3/8"
- OVERALL LENGTH IS 39"
- USABLE LENGTH IS 33 3/8"
- 42" HIGH HANDRAIL WITH 21" MIDRAIL AND 4 1/8" TOEBOARD
- (2) SELF-CLOSING DOORS SWING IN ONLY (WILL NOT OPEN OUT)
- FORK LOCK IS ROTATED UP BEHIND BACK OF FORK AND LOCKED WITH SPRING LOADED PLUNGER
- 36" LONG STRAP WITH HOOK (NOT SHOWN) MUST ATTACH PLATFORM TO FORK TRUCK
- 84" HIGH EXPANDED MESH BACKING
- USABLE FORK POCKET HEIGHTS: 3 7/8" REAR, 1 7/8" FRONT
- USABLE FORK POCKET WIDTH: 7 3/4"
- MANUFACTURED TO MEET OUR INTERPRETATION OF OSHA STANDARDS
- TOUGH BAKED IN POWDER COATED ERGO BLUE FINISH FRAME AND YELLOW UPPER BACK

SPECIAL FEATURES

NONE

APPROX. WEIGHT / LOST LOAD = 209.05
 MINIMUM EFFECTIVE THICKNESS = >1"
 NEVER EXCEED LOAD CENTER RATING PER FORKTRUCK MANUFACTURERS GUIDELINES.
 DO NOT USE THIS FORK TRUCK ATTACHMENT IF LOAD WILL EXCEED FORK TRUCK MANUFACTURER'S LOAD CENTER RATING

APPROVAL

I, THE UNDERSIGNED, AGREE THAT THE PRODUCT AS REPRESENTED SATISFIES DESIGN AND DIMENSION REQUIREMENTS. I ALSO ACKNOWLEDGE MY DUTY TO CONFIRM PRODUCT AND INSTALLATION COMPLIANCE WITH ALL APPLICABLE FEDERAL, STATE AND LOCAL REGULATIONS AND STANDARDS.

ANY MODIFIED UNITS ARE NON-RETURNABLE

[] As drawn [] As marked

Signed: _____ Date: _____

Printed Name: _____

LEAD TIME WILL START UPON RECEIPT OF SIGNED APPROVAL DRAWING

FOR INTERNAL USE ONLY PROJECT SIGN OFF	
SALES	
ENG.	
FAB.	
POWER	

DISTRIBUTOR'S NAME:		P.O.#
VESTIL MANUFACTURING		X
W.O.#		X
DRAWN BY:	C.WOLF	DATE:
		08/31/06
REFERENCE:	X	SCALE:
		1:30
QUOTED LEAD TIME:	X	QUOTE #
		X
SALES:	X	FILE NAME:
		14-007-082