

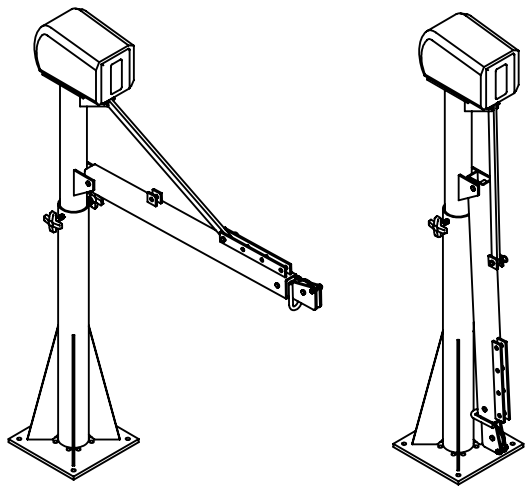
POWER LIFT JIB CRANE- WTJ-E-15-3-AC-GAL

APPROX WEIGHT: 319.17 lbs.
 DOES NOT INCLUDE WEIGHT OF POWER OR PACKAGING!!!

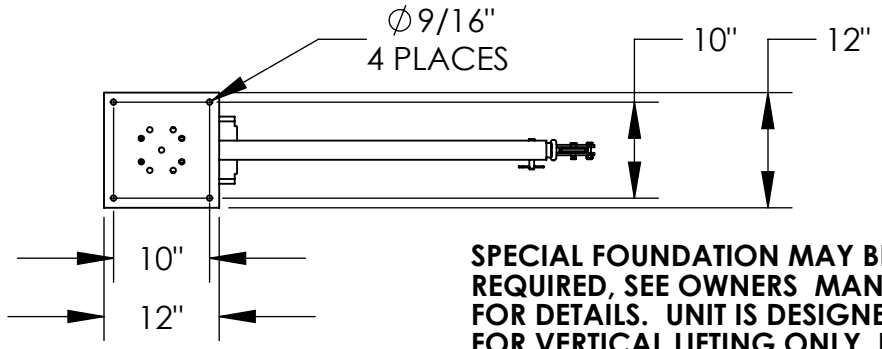
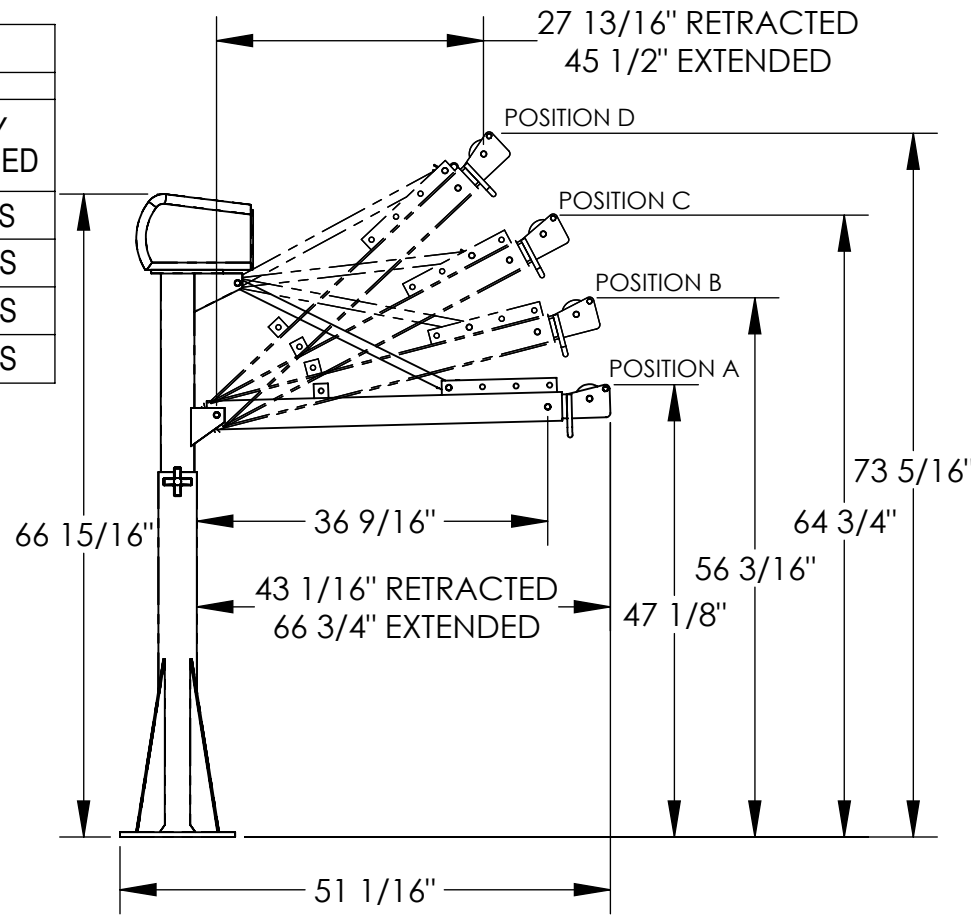
ANY ADDITIONS, DELETIONS, OR OMISSIONS MUST BE CORRECTED ON THIS DRAWING AS THIS DRAWING WILL BE CONSIDERED ALL INCLUSIVE
 ALL GRAPHICS PROVIDED ARE FOR REFERENCE ONLY. IF CERTAIN DIMENSIONS ARE CRITICAL PLEASE VERIFY THOSE DIMENSIONS WITH YOUR SALESPERSON

BOOM CAPACITY CHART WTJ-E-15-3

| BOOM POSITION | BOOM EXTENSION | | |
|---------------|-----------------|--------------|----------------|
| | FULLY RETRACTED | MID-POSITION | FULLY EXTENDED |
| A | 650 LBS | 300 LBS | 200 LBS |
| B | 1100 LBS | 650 LBS | 550 LBS |
| C | 1250 LBS | 850 LBS | 650 LBS |
| D | 1500 LBS | 1150 LBS | 800 LBS |



3D VIEW OF ASSEMBLED & COLLAPSED UNIT SHOWN FOR REFERENCE ONLY



SPECIAL FOUNDATION MAY BE REQUIRED, SEE OWNERS MANUAL FOR DETAILS. UNIT IS DESIGNED FOR VERTICAL LIFTING ONLY. DO NOT USE FOR LIFTING PERSONNEL OR FOR OVERHEAD LIFTING.

- STANDARD FEATURES**
 MODEL NUMBER IS: WTJ-E-15-3-AC-GAL
 CAPACITY IS: 1,500 LBS.
 OVERALL WIDTH IS: 12"
 OVERALL RETRACTED LENGTH IS: 51 1/16"
 USABLE RETRACTED LENGTH IS: 43 1/16"
 USABLE EXTENDED LENGTH IS: 66 3/4"
 OVERALL HEIGHT IS: 66 15/16"
 115V AC POWERED WINCH
 WITH FINGER TIP TOGGLE SWITCH
 Ø7/32" X 25' LG CABLE AND HOOK
 HOT-DIPPED GALVANIZED FINISH

SPECIAL FEATURES
 NONE

APPROVAL

I, THE UNDERSIGNED, AGREE THAT THE PRODUCT AS REPRESENTED SATISFIES DESIGN AND DIMENSION REQUIREMENTS. I ALSO ACKNOWLEDGE MY DUTY TO CONFIRM PRODUCT AND INSTALLATION COMPLIANCE WITH ALL APPLICABLE FEDERAL, STATE AND LOCAL REGULATIONS AND STANDARDS.

ANY MODIFIED UNITS ARE NON-RETURNABLE

As drawn As marked

Signed: _____ Date: _____

Printed Name: _____

LEAD TIME WILL START UPON RECEIPT OF SIGNED APPROVAL DRAWING

FOR INTERNAL USE ONLY
 PROJECT SIGN OFF

| | |
|-------|--|
| SALES | |
| ENG. | |
| FAB. | |
| POWER | |

DISTRIBUTOR'S NAME: **VESTIL MANUFACTURING**

DRAWN BY: ND DATE: 11/26/14

REFERENCE: X SCALE: 1:20

QUOTED LEAD TIME: X QUOTE # X

P.O.# X
 W.O.# X
 SALES: X
 FILE NAME: 28-007-371