



L & P Guarding, LLC

Providing Reliable Engineered Solutions

Saf-T-Stor® Gas Cylinder Storage Cabinet

Saf-T-4

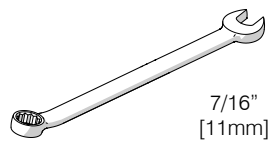
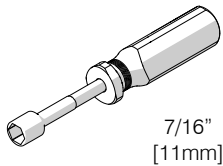
Assembly Instructions

TABLE OF CONTENTS:

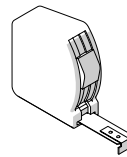
PAGE 1	COVER, TOOLS REQ'D
PAGE 2	HARDWARE PROVIDED & PARTS LIST
PAGE 3	ASSEMBLY INSTRUCTIONS
PAGE 4	ASSEMBLY INSTRUCTIONS (CONTINUED)



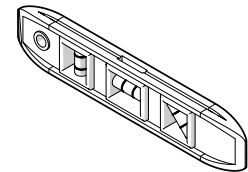
TOOLS REQUIRED:



OPEN END WRENCH

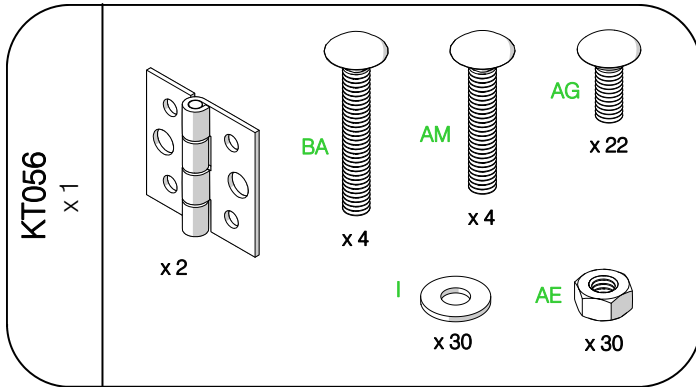


MEASURING TAPE



LEVEL

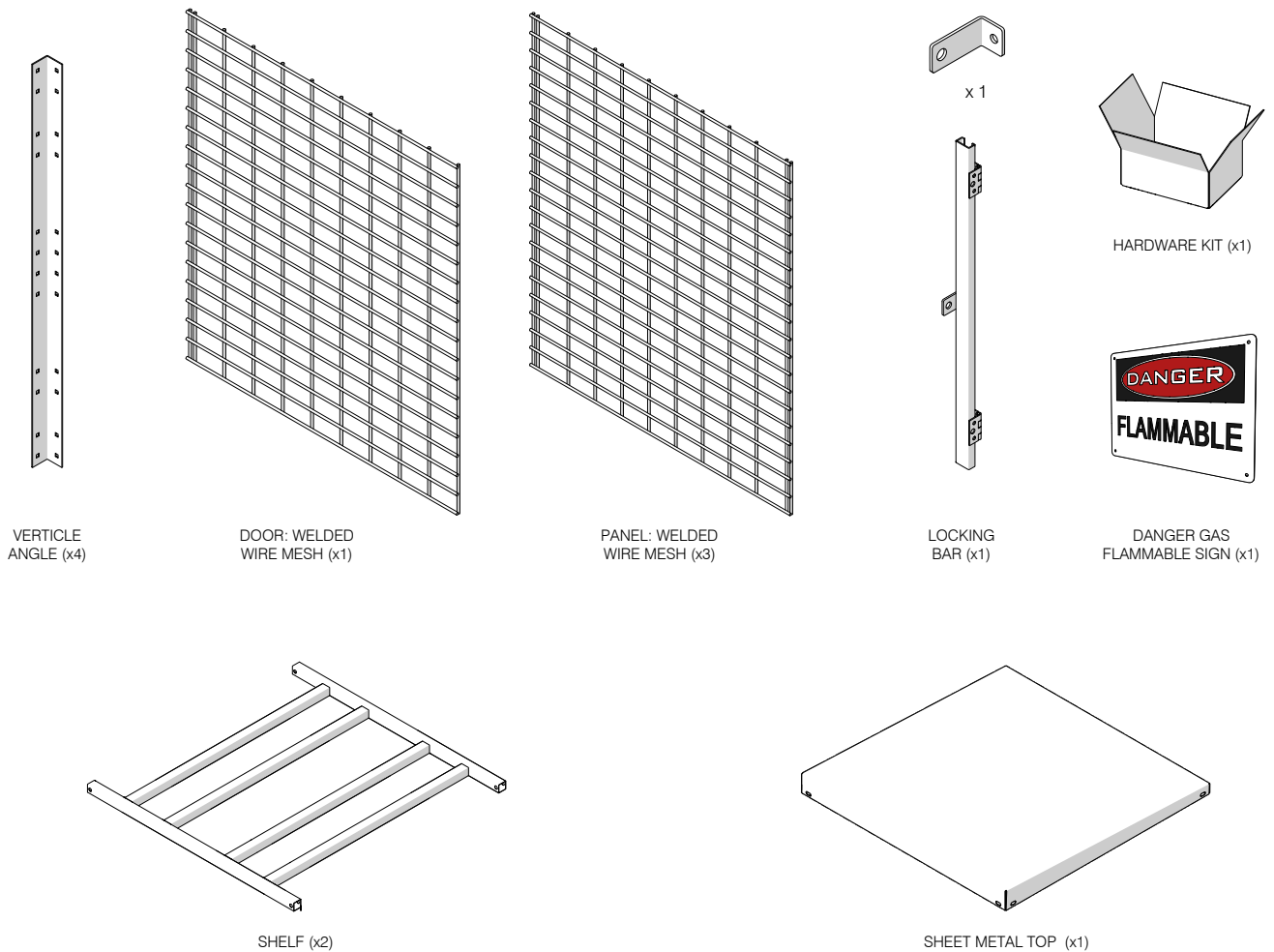
HARDWARE PROVIDED:



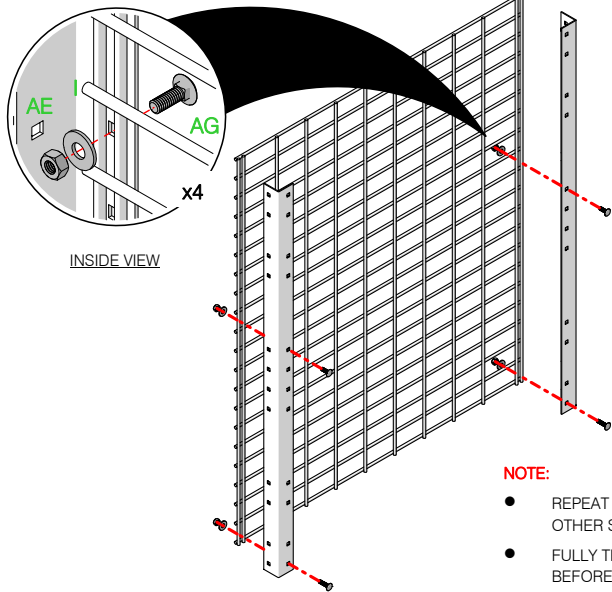
HARDWARE LIST:

- (I) 1/4" FLAT WASHER
- (AE) 1/4"-20 HEX NUT
- (AG) 1/4"-20 x 3/4" SQUARE NECK CARRIAGE BOLT
- (AM) 1/4"-20 x 1-1/2" SQUARE NECK CARRIAGE BOLT
- (BA) 1/4"-20 x 1-3/4" SQUARE NECK CARRIAGE BOLT

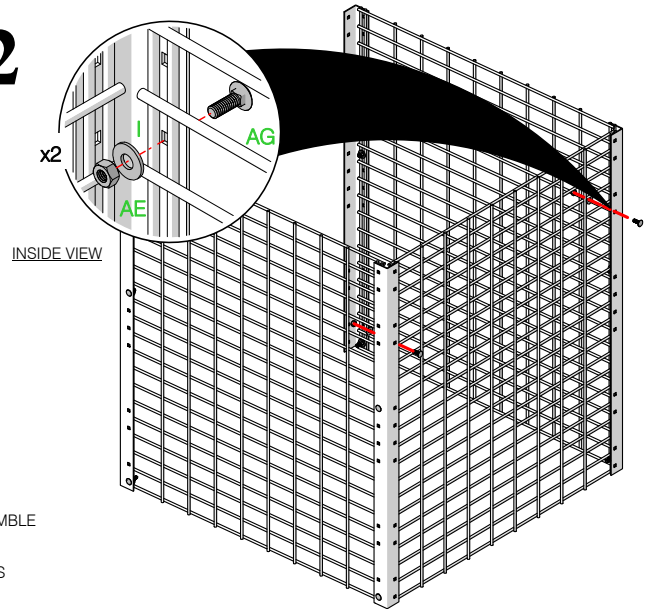
PARTS LIST:



1

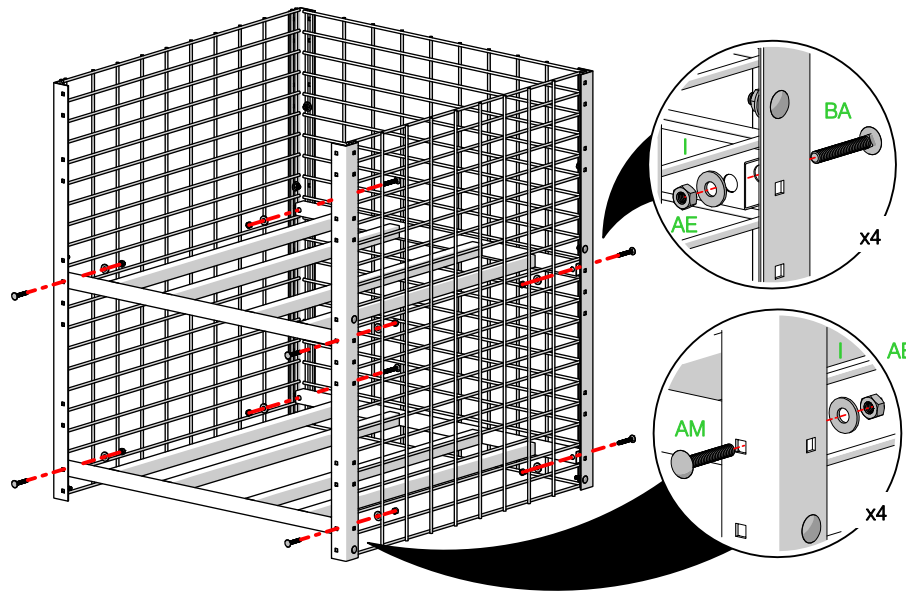


2

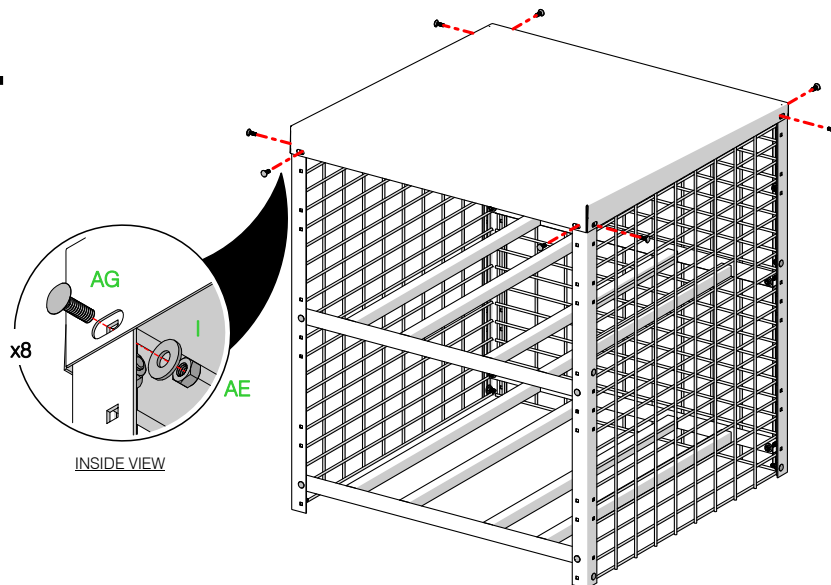


- NOTE:**
- REPEAT STEP 1 TO ASSEMBLE OTHER SIDE
 - FULLY TIGHTEN ALL NUTS BEFORE STEP 3

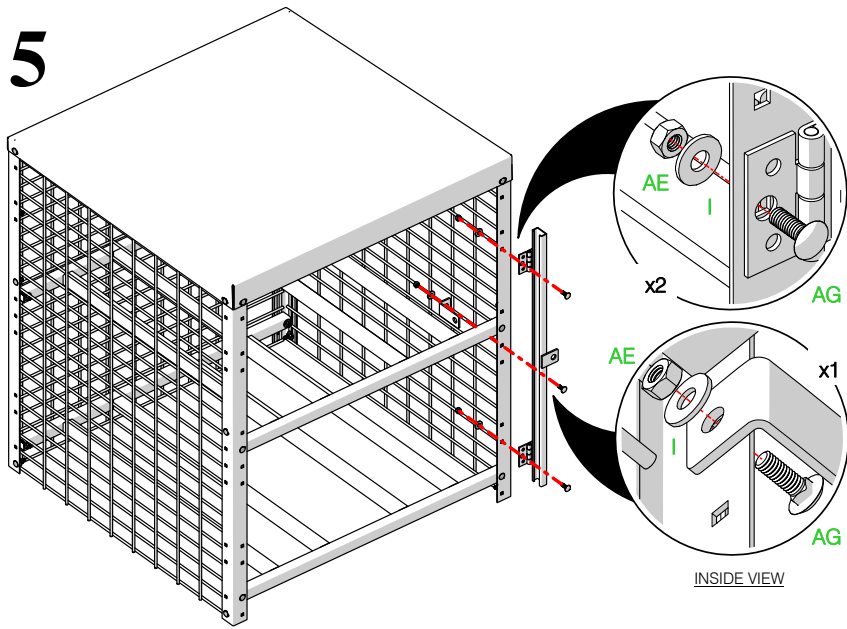
3



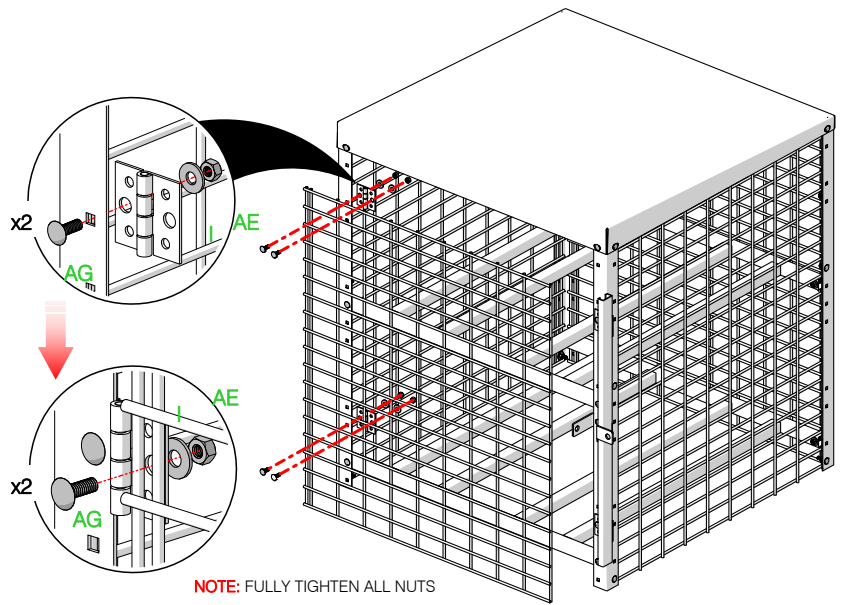
4



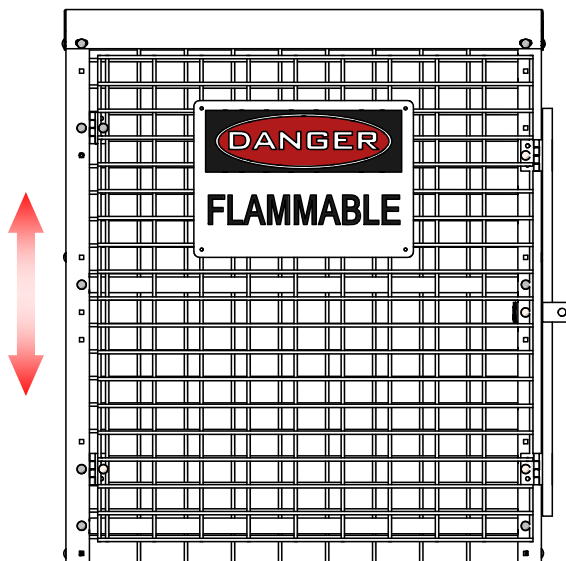
5



6



7



NOTE:

- CHECK DOOR ALIGNMENT, ADJUST DOOR HEIGHT ACCORDINGLY.
- ZIP TIE DANGER SIGN TO LOCKER DOOR