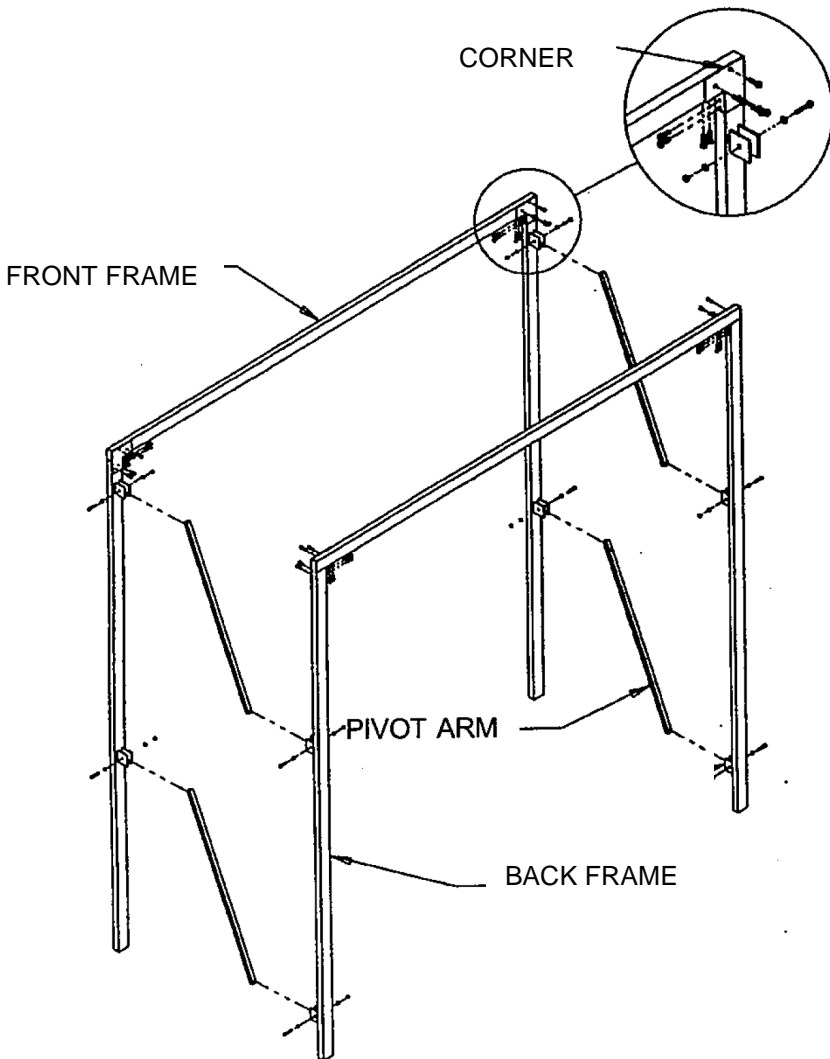




Vestil Manufacturing Corp.  
 2999 North Wayne Street, P.O. Box 507, Angola, IN 46703  
 Telephone: (260) 665-7586 -or- Toll Free (800) 348-0868  
 Fax: (260) 665-1339  
 www.vestilmfg.com Email: sales@vestil.com

## RETRACTABLE DOCK SHELTER D-520-24



### MATERIAL

QTY	DESCRIPTION
1	Front Frame
2	Back Frame
4	Pivot Arms

### HARDWARE

QTY	DESCRIPTION
4	Corner Brackets
16	Self-tapping bolts
6	Redi Rod
12	3/8" nuts
12	3/8" washers

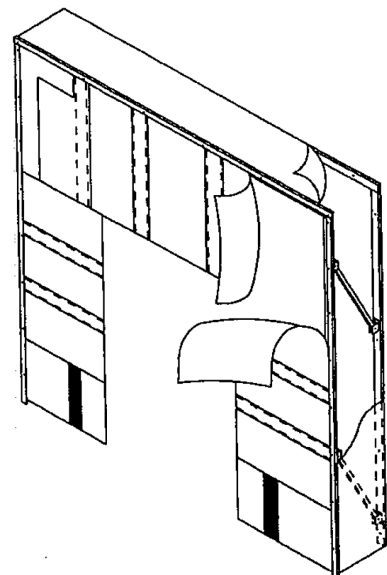
### RECEIVING INSTRUCTIONS:

Every unit is thoroughly tested and inspected prior to shipment. However, it is possible that the unit may incur damage during transit. If damage is noticed when unloading, make a note of it on the BILL OF LADING. Remove all packing and strapping material, then inspect the unit again for damage.

**\*\* IF DAMAGE IS EVIDENT, FILE A CLAIM WITH CARRIER IMMEDIATELY!\*\***

### INSTALLATION

- 1) BOLT ON CORNER BRACKETS --- Using 3/8" self-tapping bolts, attach corner brackets to the same side as the pivot arm brackets.
- 2) ADD PIVOT BRACKETS --- Bolt pivot arms to frames using 3/8"-16 UNC x 2" long bolts, 3/8"-16 UNC nylock nuts and two 3/8" SAE flat washers. Assemble so that the top corner brackets on the front and back frames face toward each other.



RETRACTABLE DOCK SHELTER  
 MODEL D-520-24