



VESTIL MANUFACTURING CORP.

2999 North Wayne Street, P.O. Box 507, Angola, IN 46703
 Telephone: (260) 665-7586 -or- Toll Free (800) 348-0868

**D-750 SERIES, DOCK SHELTER
 INSTRUCTION MANUAL**



Receiving instructions:

After delivery, IMMEDIATELY remove the packaging from the product in a manner that preserves the packaging and maintains the orientation of the product in the packaging; then inspect the product closely to determine whether it sustained damage during transport. **If damage is discovered during the inspection, immediately record a complete description of the damage on the bill of lading.** If the product is undamaged, discard the packaging.

Notes:

1) Compliance with laws, regulations, codes, and non-voluntary standards enforced in the location where the product is used is exclusively the responsibility of the owner/end-user.

2) VESTIL is **not liable** for any injury or property damage that occurs as a consequence of failing to apply either: a) the instructions in this manual; or b) information provided on labels affixed to the product. Neither is Vestil responsible for any consequential damages sustained as a result of failing to exercise sound judgment while assembling, installing, using or maintaining this product.

<u>Table of Contents</u>	
Signal Words.....	2
Safety Guidelines.....	2
Exploded Parts View and Bill of Material.....	3
Installation.....	3
Label Placement.....	5
Inspections & Maintenance.....	5
Limited warranty.....	6

Signal Words

This manual uses SIGNAL WORDS to indicate the likelihood of personal injuries, as well as the probable seriousness of those injuries, if the product is misused in the ways described. Other signal words call attention to uses of the product likely cause property damage.

The signal words used appear below along with the meaning of each word:



Identifies a hazardous situation which, if not avoided, **WILL** result in DEATH or SERIOUS INJURY. Use of this signal word is limited to the most extreme situations.



Identifies a hazardous situation which, if not avoided, **COULD** result in DEATH or SERIOUS INJURY.



Indicates a hazardous situation which, if not avoided, **COULD** result in MINOR or MODERATE injury.



Identifies practices likely to result in product/property damage, such as operation that might damage the product.

Each person who assembles, installs, uses, or maintains this product should read the entire manual **and fully understand the directions in advance. If after reading the manual you do not understand an instruction, ask your supervisor or employer for clarification, because failure to adhere to the directions in this manual might result in serious personal injury.**

SAFETY GUIDELINES

Vestil diligently strives to identify foreseeable hazards associated with the use of its products. However, material handling is inherently dangerous and no manual can address every conceivable risk. The end-user ultimately is responsible for exercising sound judgment at all times.



Electrocution might result if any part of the product contacts electrified wires. Reduce the likelihood of electrocution by applying **common sense**:

- DO NOT *contact* electrified wires with any part of this device, your body, or clothing.
- DO NOT use or store the product where contact with electrified wires is likely.

Always inspect the usage area before using the product & implement precautions that account for conditions.



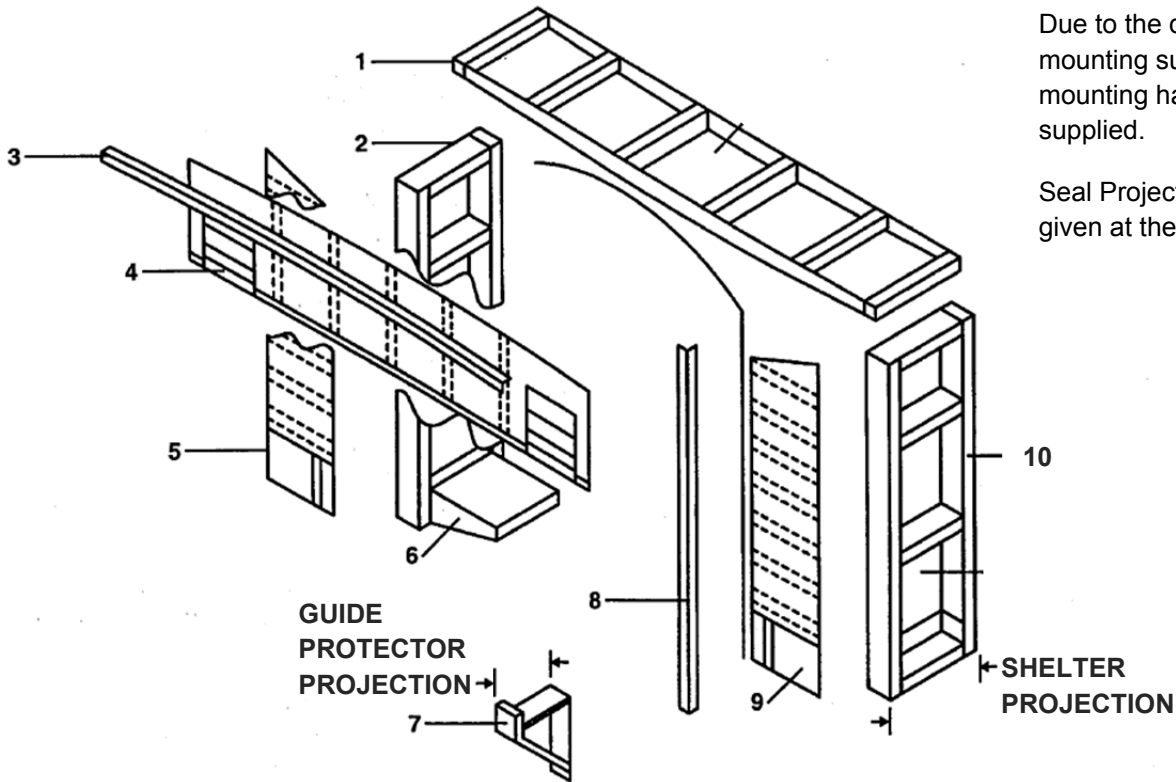
If this product is used improperly or carelessly, the operator and/or bystanders might sustain serious personal injuries or even be killed. To reduce the likelihood of injury:

- ***Failure to read and understand the entire manual before assembling, installing, using or servicing the product is a misuse of the product.***
- Read the manual to refresh your understanding of proper use and maintenance procedures.
- DO NOT attempt to resolve any problem(s) with the product unless you are both authorized to do so and certain that it will be safe to use afterwards.
- DO NOT modify the product in any way UNLESS you first obtain written approval from Vestil. Unauthorized modifications automatically void the Limited Warranty and might make the product unsafe to use.
- DO NOT exceed the maximum rated load.
- Inspect the product before each use.
 - A. DO NOT use this product if the inspection reveals structural damage. Examples of structural damage include, but are not limited to, the following: 1) Cracked, broken or significantly deformed load-bearing members; 2) cracked welds; 3) missing or deformed safety chain/strap; 3) corrosion, severe wear, or other condition that affects the ability of the product to support weight or itself. Replace each part that fails to pass an inspection, and DO NOT use the product until it is fully restored to normal condition.
 - B. DO NOT use the product if any unusual noise or movement is observed. If a malfunction occurs, remove the unit from service and notify your supervisor & maintenance personnel about the issue.
- DO NOT use this device UNLESS all product labels (see "Label Placement Diagram") are readable and undamaged.



- Proper use, maintenance, and storage are essential for this product to function properly.
- Always use this product in accordance with the instructions in this manual and consistent with any training relevant to machines, devices, etc. used in conjunction with this product.
 - Keep the product clean & dry. Lubricate moving parts.
 - Contact the manufacturer for MSDS information.

Exploded Parts View with Bill of Material



Due to the differences in mounting surfaces, mounting hardware is not supplied.

Seal Projection must be given at the time of order.

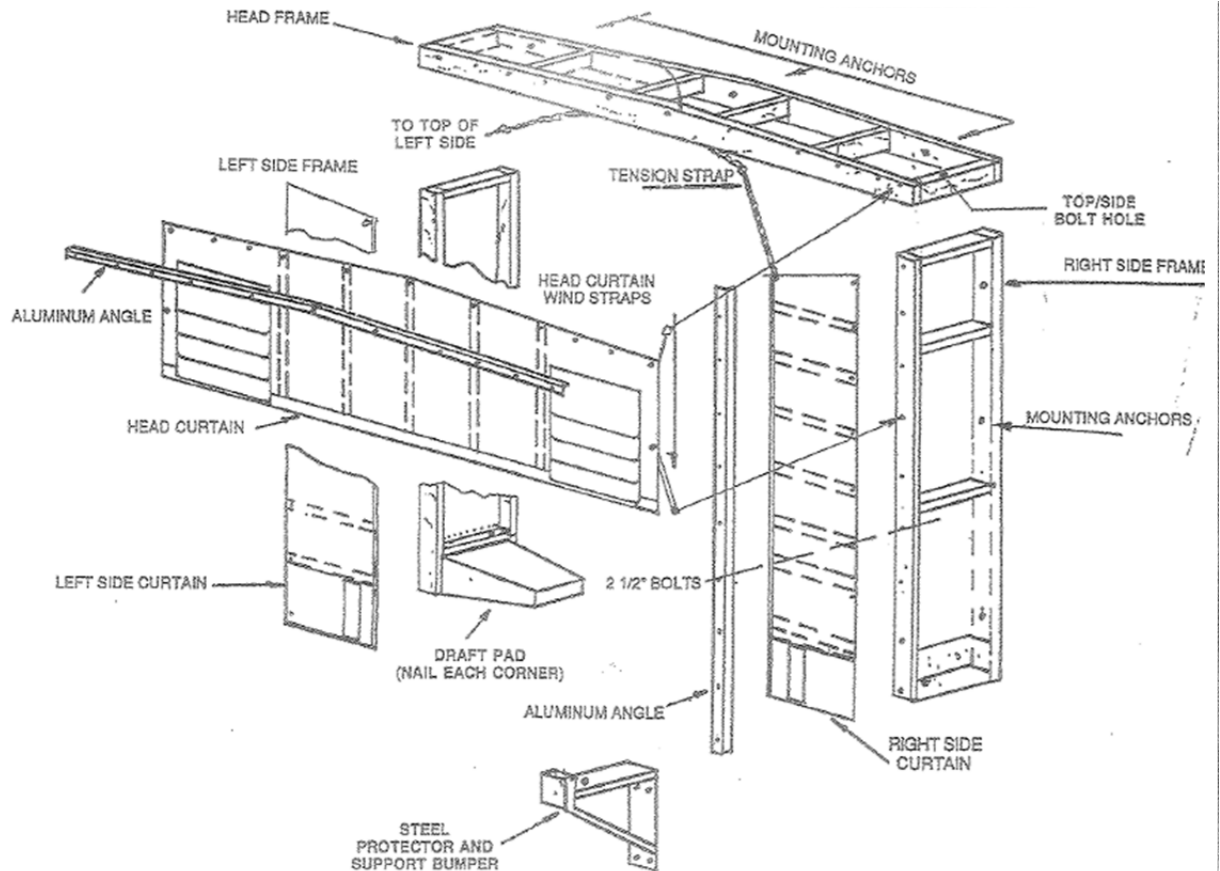
Item	Description	Qty	D-750-18	D-750-24	D-750-30	D-750-36
			Projection: 18"	Projection: 24"	Projection: 30"	Projection: 36"
1	Head Frame	1	35-514-089	35-514-090	35-514-091	35-514-092
2	Left Side Frame	1	35-514-081	35-514-083	35-514-085	35-514-087
3	Aluminum Angle, Header	1	23-014-103	23-014-103	23-014-103	23-014-103
4	Head Curtain	1	35-524-001	35-524-001	35-524-001	35-524-001
5	Left Side Curtain	1	35-524-004	35-524-004	35-524-004	35-524-004
6	Draft Pad, Left	1	35-514-093	35-514-095	35-514-097	35-514-099
--	Draft Pad, Right	1	35-514-094	35-514-096	35-514-098	35-514-100
7	Guide Protector	2	23-514-081	23-514-082	23-514-083	23-514-084
8	Aluminum Angle, Side	2	23-014-102	23-014-102	23-014-102	23-014-102
9	Right Side Curtain	2	35-524-002	35-524-002	35-524-002	35-524-002
10	Right Side Frame	1	35-514-082	35-514-084	35-514-086	35-514-088
--	Tension Strap	1	35-524-013	35-524-013	35-524-013	35-524-013
--	Hardware Kit (Not Shown)	1	35-645-002	35-645-002	35-645-002	35-645-002
--	Repair Kit (Not Shown)	--	D-Kit	D-Kit	D-Kit	D-Kit

Installation

Use 3/8" bolts or redi-rod to fasten all pieces to the building's wall.

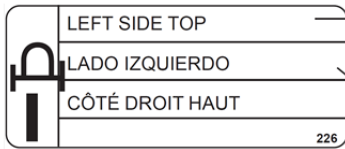
NOTICE • Must have 6" clearance around the left and right sides. Must have 8" clearance above the shelter.

1. Using a level, mark the overall width boundary on the building's wall. This can be done by two methods:
 - a. From the center of the doorway, measure out towards the wall 1/2 of the top frame's overall length. Mark the building's wall at this distance.
 - b. Positioning the top frame so its center point is coincident with the doorway's center point. Using the top frame, mark the outside width on the building's wall.
2. Attach the left and right, side frames to the building. The side frames should be positioned within the overall boundary, from step 1.
3. Attach the top frame.
 - a. Using a 3/8" bolt, secure the center of the top frame to the building.
4. Attach the left and right guide proctors.
5. Attach the side curtains and secure the tension strap to the top frame.
6. Attach the top curtain.
7. Attach the aluminum angle to the sides and header.
8. Position the left and right draft pads.

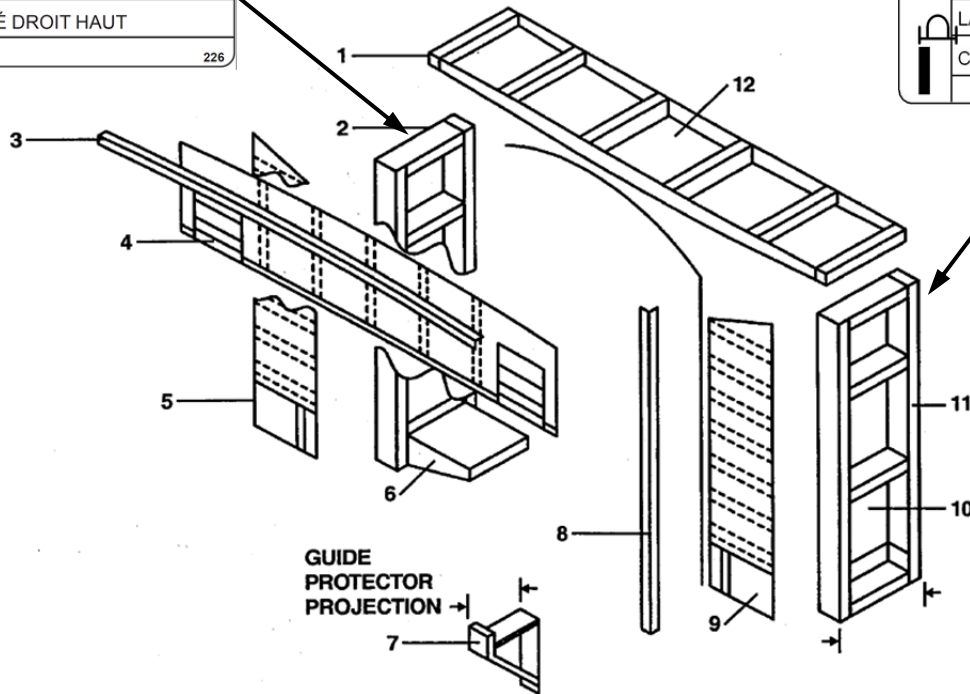


Label Placement

Label 226 on left frame



Label 228 on right frame



Inspections & Maintenance

Regular inspections and maintenance are necessary to keep the product in normal working condition.

Monthly

- Inspect the vinyl drop curtain, top header panel, side panels and entry flaps for rips and tears. Contact the vendor for vinyl repair kit, as necessary.
- Inspect the two foam-filled corner pads. They provide additional sealing protection from the environment. If the pads have been damaged or no longer perform as a seal with the trailer, contact the vendor for replacements.
- The guide protectors should be securely mounted to the wall.
- Inspect the guide protectors' surface. If the paint is chipped and/or rust is present, prepare the surface and paint.
- Inspect the shelter's sides and top are securely attached to the building's wall.

LIMITED WARRANTY

Vestil Manufacturing Corporation (“Vestil”) warrants this product to be free of defects in material and workmanship during the warranty period. *Our warranty obligation is to provide a replacement for a defective original part if the part is covered by the warranty, after we receive a proper request from the warrantee (you) for warranty service.*

Who may request service?

Only a warrantee may request service. *You are a warrantee if* you purchased the product from Vestil or from an authorized distributor AND Vestil has been fully paid.

What is an “original part”?

An original part is a part used to make the product as shipped to the warrantee.

What is a “proper request”?

A request for warranty service is proper if Vestil receives: 1) a photocopy of the Customer Invoice that displays the shipping date; AND 2) a written request for warranty service including your name and phone number. Send requests by any of the following methods:

Mail
Vestil Manufacturing Corporation
2999 North Wayne Street, PO Box 507
Angola, IN 46703

Fax
(260) 665-1339
Phone
(260) 665-7586

Email
sales@vestil.com

In the written request, list the parts believed to be defective and include the address where replacements should be delivered.

What is covered under the warranty?

After Vestil receives your request for warranty service, an authorized representative will contact you to determine whether your claim is covered by the warranty. Before providing warranty service, Vestil may require you to send the entire product, or just the defective part or parts, to its facility in Angola, IN. The warranty covers defects in the following *original* dynamic components: motors, hydraulic pumps, electronic controllers, switches and cylinders. It also covers defects in *original* parts that wear under normal usage conditions (“wearing parts”): bearings, hoses, wheels, seals, brushes, batteries, and the battery charger.

How long is the warranty period?

The warranty period for original components is upon installation. The warranty period begins on the date when Vestil ships the product to the warrantee. If the product was purchased from an authorized distributor, the period begins when the distributor ships the product. Vestil may extend the warranty period for products shipped from authorized distributors by *up to* 30 days to account for shipping time.

If a defective part is covered by the warranty, what will Vestil do to correct the problem?

Vestil will provide an appropriate replacement for any *covered* part. An authorized representative of Vestil will contact you to discuss your claim.

What is not covered by the warranty?

1. Labor;
2. Freight;
3. Occurrence of any of the following, which automatically voids the warranty:
 - Product misuse;
 - Negligent operation or repair;
 - Corrosion or use in corrosive environments;
 - Inadequate or improper maintenance;
 - Damage sustained during shipping;
 - Collisions or other incidental contacts causing damage to the product;
 - Unauthorized modifications: DO NOT modify the product IN ANY WAY without first receiving written authorization from Vestil. Modification(s) might make the product unsafe to use or might cause excessive and/or abnormal wear.

Do any other warranties apply to the product?

Vestil Manufacturing Corp. makes no other express warranties. All implied warranties are disclaimed to the extent allowed by law. Any implied warranty not disclaimed is limited in scope to the terms of this Limited Warranty.

