

2999 North Wayne St., Angola, IN 46703 USA  
 Phone (260) 665-9521 • Fax (260) 665-1339  
 E-mail: sales@vestil.com • www.vestil.com

*A company dedicated to solving ergonomic and material handling problems since 1955.*

**Ergonomic Solutions**

# OWNERS MANUAL

## EASY ACCESS STEEL STOCK TRUCK Series EASY-A

<b>Contents</b>	
Assembly .....	1
Parts List/Warranty .....	2

### ASSEMBLY AND USE INSTRUCTIONS

The model EASY-A Easy Access Steel Stock Truck is intended to be used indoors for transporting miscellaneous materials and containers from one area of a building to another across a smooth, level, finished floor. Its maximum total load capacity is 1,200 lbs. -- each shelf individually has a maximum capacity of 660 lbs.

**READ THROUGH ALL THE FOLLOWING STEPS BEFORE PROCEEDING WITH THE ASSEMBLY!**

1. Inspect all parts for damage and to be certain all the required parts are included.  
 You should find:  
 (2) 1-1/4" X 5" poly-on-poly rigid casters and (2) 1-1/4" x 5" poly-on-poly swivel casters;  
 (32) M8-1.25 hex head bolts, (32) M8 flat washers, (32) M8-1.25 nuts;  
 (1) lower deck and (1) upper deck, (2) corner posts and (1) end post, and (2) push handles
2. Except for the casters, leave all the hardware only fingertight until the entire cart is assembled.
3. Locate the bottom deck (having four holes in each corner) and position it so that the sides are pointing downward. For use in typical loading applications, bolt on the swivel casters at the end having two holes in each deck side (the rear of the cart), and install the rigid casters on the opposite and (the front side). If the cart will be used only for light duty applications, the swivel casters can be bolted to the holes in the front of the deck. After verifying that the rigid casters are positioned parallel to the deck sides, tighten all the casters' mounting hardware. Turn the bottom deck over the rest on the casters.
4. Bolt on the corner uprights onto the bottom deck at the rear end of the cart. Install the end upright at the front end of the cart.
5. Bolt on the upper deck, positioned so that the sides are pointing downward and with the holes in the deck sides lined up with the holes in the three uprights.
6. Square the upper deck over the lower deck and adjust the uprights so they are plumb and square. Wrench tighten all

- of the hardware.
7. One push handle installs on each side of the swivel caster end of the cart. The lower end of the handles will mate to a hole drilled through the corner upright -- attach them with the longest bolts. The upper end of each push handle bolts through the upper deck using the 20 mm long bolts.
8. The optional tool box is mounted to the end of the upper deck, on the push handle end of the cart, using M8-1.25 bolts, washers and nuts.
9. The optional basket can be either hung from the bottom flange of the tool box or on bolts installed through the tool box's mounting holes.

*Check the tightness of the hardware after one week of use, and periodically thereafter.*

### TO PREVENT POSSIBLE INJURY AND/OR PROPERTY DAMAGE

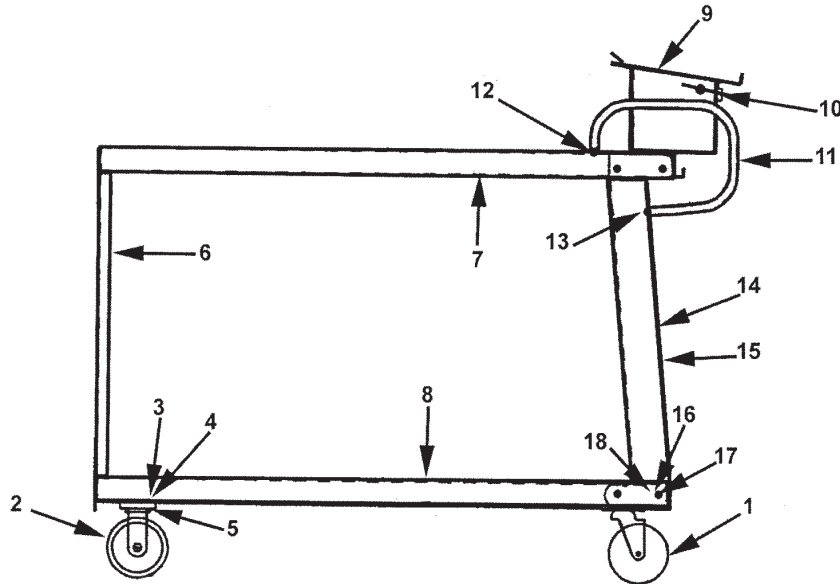
*Caution:* Items on the cart could tip and/or slide or the cart could overturn if a wheel stop suddenly (such as due to hitting a foreign object on, or a crack in, the floor) or if a corner is turned to quickly. To prevent possible injury and/or property damage, do not exceed the load ratings indicated above. Do not transport loads which overhang the sides or end of the cart.



**EASY ACCESS STEEL STOCK TRUCK  
Series EASY-A**

# PARTS IDENTIFICATION

## EASY-ACCESS STEEL STOCK TRUCK • MODEL EASY-A-1836



ITEM NO.	DESCRIPTION	model EASY-1836	model EASY-2436
1	Swivel Caster	EASY-1836-1	EASY-2436-1
2	Rigid Caster	EASY-1836-2	EASY-2436-2
3	Caster Mount Bolt	EASY-1836-3	EASY-2436-3
4	Caster Mount Washer	EASY-1836-4	EASY-2436-4
5	Caster Nut	EASY-1836-5	EASY-2436-5
6	Front Leg	EASY-1836-6	EASY-2436-6
7	Top Deck	EASY-1836-7	EASY-2436-7
8	Lower Deck	EASY-1836-8	EASY-2436-8
9	Writing Table / Storage Box	EASY-1836-9	EASY-2436-9
10	Security Pen	EASY-1836-10	EASY-2436-10
11	Handle (Universal)	EASY-1836-11	EASY-2436-11
12	Top Handle Bolt	EASY-1836-12	EASY-2436-12
13	Lower Handle Bolt	EASY-1836-13	EASY-2436-13
14	Rear Leg Left Side	EASY-1836-14	EASY-2436-14
15	Rear Leg Right Side	EASY-1836-15	EASY-2436-15
16	Leg Mounting Bolt	EASY-1836-16	EASY-2436-16
17	Leg Mounting Washer	EASY-1836-17	EASY-2436-17
18	Leg Mounting Nut	EASY-1836-18	EASY-2436-18
	Caster Kit (includes 4 casters & hardware)	EASY-KIT-1	EASY-KIT-1

### LIMITED WARRANTY

**ONE YEAR LIMITED WARRANTY.** The manufacturer warrants for the original purchaser against defects in materials and workmanship under normal use one year after date of purchase. (Not to exceed 15 months after date of manufacture.) Any part which is determined by the manufacturer to be defective in material or workmanship and returned to the factory, shipping costs prepaid, will be, as the exclusive remedy, repaired or replaced at our option. Labor costs for warranty repairs and/or modifications are not covered unless done at manufacturer's facilities. Any modifications performed without written approval of the manufacturer may void warranty. This limited warranty gives purchaser specific legal rights which vary from state to state.

**LIMITATION OF LIABILITY.** To the extent allowable under applicable law, the manufacturer's liability for consequential and incidental damages is expressly disclaimed.

The manufacturer's liability in any event is limited to, and shall not exceed, the purchase price paid. Misuse or modification may void warranty.

**WARRANTY DISCLAIMER.** Our company has made a diligent effort to illustrate and describe the products shown accurately; however, such illustrations and descriptions are for the sole purpose of identification, and do not express or imply a warranty that the products are merchantable, or fit for a particular purpose, or that the products will necessarily conform to the illustrations or descriptions.

The provisions of the warranty shall be construed and enforced in accordance with the UNIFORM COMMERCIAL CODE and laws as enacted in the State of Indiana.

**DISPOSITION.** Our company will make a good faith effort for prompt correction or other adjustment with respect to any product which proves to be defective within the Limited Warranty. Warranty claims must be made in writing within said year.