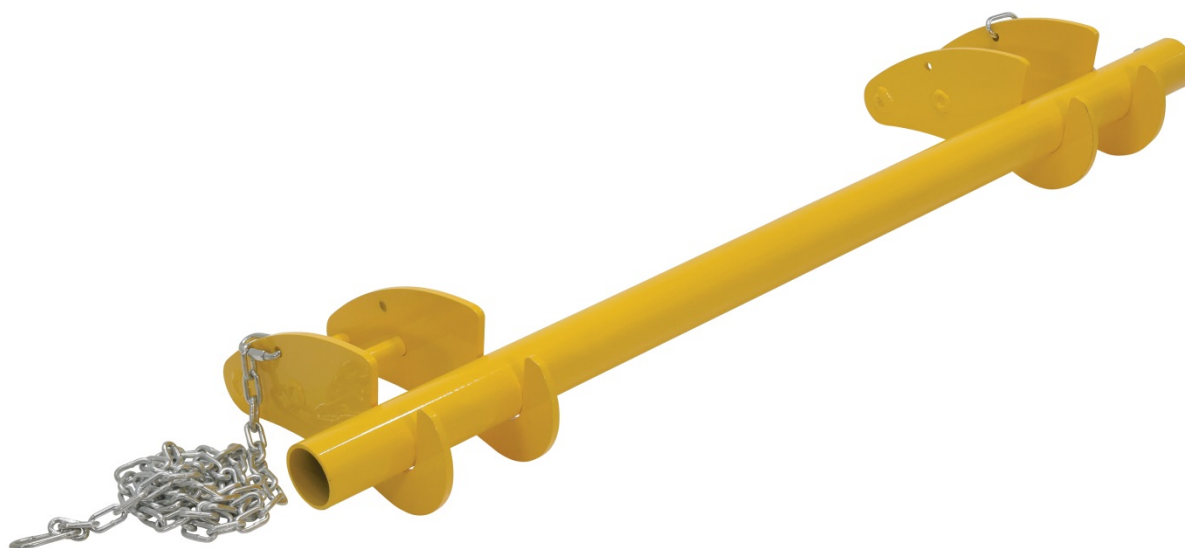




**Vestil Manufacturing Corp.**  
 2999 North Wayne Street, P.O. Box 507, Angola, IN 46703  
 Telephone: (260) 665-7586 -or- Toll Free (800) 348-0868  
 Fax: (260) 665-1339  
 Web: [www.vestilmfg.com](http://www.vestilmfg.com) e-mail: [info@vestil.com](mailto:info@vestil.com)

# REEL LIFTER FORK ATTACHMENT

## FRA-4-238



**Receiving instructions:**

After delivery, remove the packaging from the product. Inspect the product to determine whether it sustained damage during transport. If damage is found, record a complete description of it on the bill of lading. If the product is undamaged, discard the packaging.

**NOTE:**

The end-user is solely responsible for confirming that product design, installation, use, and maintenance comply with laws, regulations, codes, and mandatory standards applied where the product is used.

Table of Contents

Signal Words.....	2
Hazards of Use.....	2
Exploded Parts Diagram and Bill of Materials.....	3
Using the Lifter.....	3
Inspections & Maintenance.....	4
Labeling Diagram .....	4
Limited Warranty.....	5

## Signal Words:

This manual uses SIGNAL WORDS to draw attention to uses of the product that could result in personal injuries, as well as the probable seriousness of those injuries. “*NOTICE*” alerts the reader to uses likely to result in property damage. Signal words used in this manual appear below along with the definition of each word.



Identifies a hazardous situation which, if not avoided, **WILL** result in **DEATH** or **SERIOUS INJURY**. Use of this signal word is limited to the most extreme situations.



Identifies a hazardous situation which, if not avoided, **COULD** result in **DEATH** or **SERIOUS INJURY**.



Indicates a hazardous situation which, if not avoided, **COULD** result in **MINOR** or **MODERATE** injury.



Identifies practices likely to result in product/property damage, such as operation that might damage the product.

## Hazards of Use

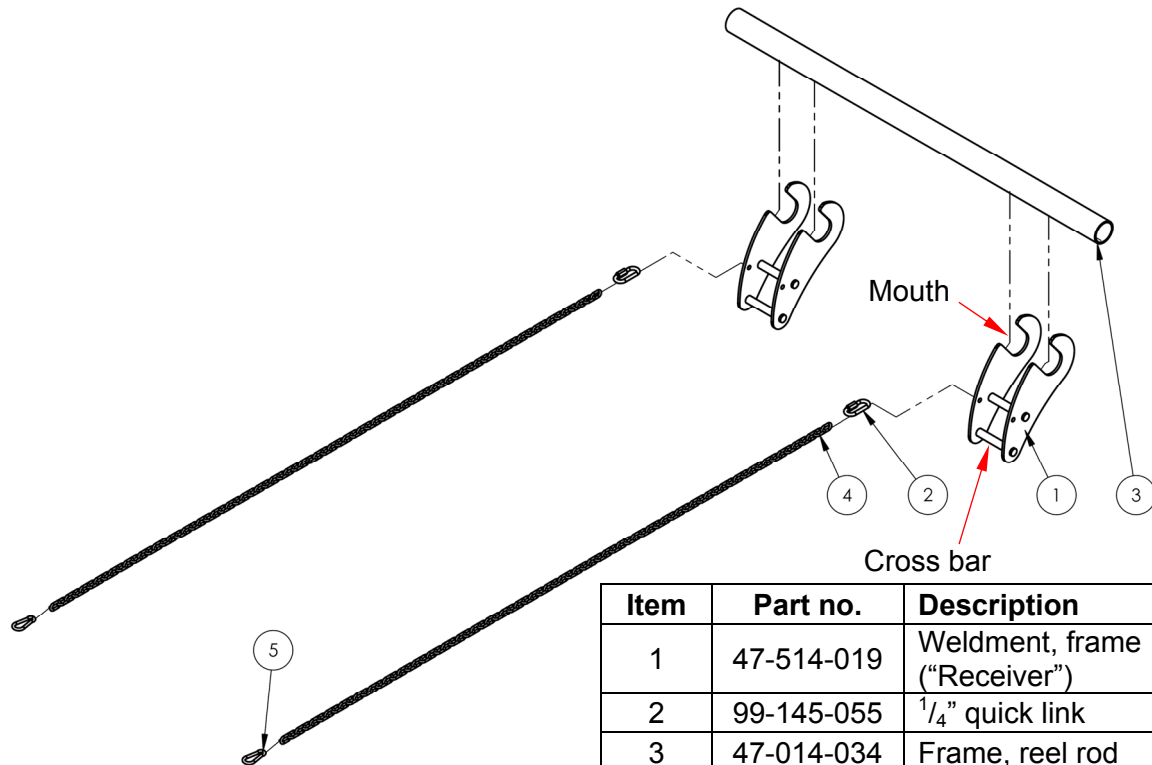
Vestil strives to identify all risks associated with the use of its products, but no manual can address every conceivable danger. The most effective means for avoiding injury is to use good judgment.



If this reel lifter kit is used improperly or carelessly, serious personal injuries or death might result.

- Each person who assembles, installs, uses, or maintains this product must read and understand the entire manual before performing the activity. Read the manual again to refresh your understanding whenever necessary. If you have questions that are not answered in this instruction manual, contact Vestil and ask for the technical service department. Phone numbers provided on page 1.
- Federal regulation (29 CFR 1910.178) requires you to contact the manufacturer of each fork truck that will use this kit. You must request:
  1. Written approval; AND
  2. Markings for each lift truck that: a) Identify the attachment; AND b) Give the approximate weight of the truck and attachment at maximum elevation with a laterally-centered load.
- Inspect all parts of this kit before each use. Confirm that they are in normal condition. “Normal condition” is defined in “Inspections & maintenance” on p. ##.
- Only use the reel lifter to lift or move spooled material. The weight of the spooled material must not exceed the capacity of the kit (2,500 pounds; 1136kg).
- DO NOT leave an elevated load unattended. Lower the forks until the material is fully supported by the ground and disengage it from the lifter kit.
- DO NOT modify this product without written authorization from Vestil. Unauthorized modifications automatically void the Limited Warranty and might make the lifter unsafe to use.
- Keep the forks as low as possible when traveling with a spool of material.
- DO NOT raise a load over people or allow anyone to stand or reach beneath a suspended load.

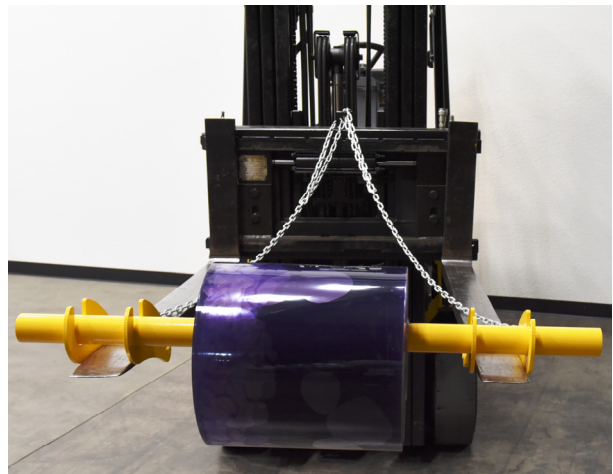
## Exploded Parts Diagram and Bill of Materials



Item	Part no.	Description	Qty.
1	47-514-019	Weldment, frame ("Receiver")	2
2	99-145-055	$\frac{1}{4}$ " quick link	2
3	47-014-034	Frame, reel rod	1
4	99-145-026	$\frac{3}{16}$ " x 72" safety chain	2
5	08-145-008	Snap hook, $\frac{1}{4}$ "	2

### Using the lifter kit

1. Mount the receivers near the tips of the forks. The tip of each fork will fit between the cross bars of a receiver.
2. Attach the safety chains to the fork carriage without slack. For instance, wrap the chains around the carriage and attach the snap hooks to the chain. Confirm that the receivers cannot slide off of the forks by trying to pull them off. Adjust the length of each chain, if necessary.
3. Slide the reel rod through the center of the reel/spool of material. An equal amount of rod should stick out of the core of the reel on both sides.
4. Drive the forklift to the reel. Lower the forks so that the receivers are below the reel rod. Adjust the position of the forklift and raise the forks. The rod must drop into the receiver slots.
5. Carefully elevate the forks and lift the reel a few inches above the ground. Travel to the unloading site. Brake gradually and avoid sharp turns.
6. To dismount the reel, simply reverse steps 1-4.



## Inspections & Maintenance

Before using the reel lifter for the first time, make a written record of its appearance. Describe the receivers, chains, snap hooks, quick links, and the rod. Measure the mouth of each receiver and describe how snugly the rod fits into the receivers. This record establishes “normal condition”. During future inspections, compare your observations to the written record to determine if the unit is in normal condition. **DO NOT use the lifter unless it is in normal condition.**

### Inspect the following before each use:

1. **Receiver:** make sure that all welds are intact. Look for cracks warps, etc. The mouth of hooked portions that receive the rod should not be widened. Remove rust with steel wool, clean the area, and then apply touchup paint. Check the area around the hole for the quick link for cracks. The hole should be circular—not elongated.
2. **Reel rod:** examine the rod for flattening, cracks, bends.
3. **Safety chain, quick link, and snap hook:** inspect all components for damage like warps and cracks. Confirm that the snap hook latch closes automatically and securely. The threaded elements of the quick link should tightly fasten together.

## Labeling diagram

The reel lifter kit should always be labeled as shown in the diagram. Replace the tag if it is missing, damaged, or not easily readable (e.g. faded).



### Obverse tag of tag

Label #####

<b>⚠ WARNING</b>
<p>Improper or inappropriate use of fork attachments might result in death or serious injury.</p> <ul style="list-style-type: none"> <li>• Before using this fork attachment, US Federal regulation 29 CFR 1910.178 requires you to contact the manufacturer of your lift truck and request:                     <ol style="list-style-type: none"> <li>1. Written approval [29 CFR 1910.178(a)(4)],</li> <li>2. Markings for (fork) lift truck that:                             <ul style="list-style-type: none"> <li>- Identify the attachment;</li> <li>- Give approximate weight of truck and attachment at maximum evaluation with laterally-centered load. [29 CFR 1910.178(a)(5)].</li> </ul> </li> </ol> </li> <li>• <b>DO NOT</b> use <b>UNTIL</b> lift truck is marked with corrected capacity tags.</li> </ul>

### Reverse side of tag

Labels 821 & 287

<b>SAFETY FIRST</b> Read owners manual and all labels before using.															
<table style="width: 100%; border-collapse: collapse;"> <tr> <td style="font-size: small;">MODEL/MODÉLO/MODÈLE</td> <td style="border-bottom: 1px solid black; width: 80%;"></td> <td style="width: 20%;"></td> </tr> <tr> <td style="font-size: x-small;">STATIC CAPACITY (evenly distributed)</td> <td style="border-bottom: 1px solid black; width: 80%;"></td> <td style="font-size: x-small;">lbs.</td> </tr> <tr> <td style="font-size: x-small;">LA CAPACIDAD CONSTANTE (distribuida uniformemente)</td> <td style="border-bottom: 1px solid black; width: 80%;"></td> <td style="font-size: x-small;">kgs.</td> </tr> <tr> <td style="font-size: x-small;">CAPACITÉ STATIQUE (distribuée régulièrement)</td> <td style="border-bottom: 1px solid black; width: 80%;"></td> <td style="font-size: x-small;">kgs.</td> </tr> <tr> <td style="font-size: x-small;">SERIAL/SERIE/SÉRIE</td> <td style="border-bottom: 1px solid black; width: 80%;"></td> <td></td> </tr> </table>	MODEL/MODÉLO/MODÈLE			STATIC CAPACITY (evenly distributed)		lbs.	LA CAPACIDAD CONSTANTE (distribuida uniformemente)		kgs.	CAPACITÉ STATIQUE (distribuée régulièrement)		kgs.	SERIAL/SERIE/SÉRIE		
MODEL/MODÉLO/MODÈLE															
STATIC CAPACITY (evenly distributed)		lbs.													
LA CAPACIDAD CONSTANTE (distribuida uniformemente)		kgs.													
CAPACITÉ STATIQUE (distribuée régulièrement)		kgs.													
SERIAL/SERIE/SÉRIE															
287 REV 0812															

## LIMITED WARRANTY

Vestil Manufacturing Corporation (“Vestil”) warrants this product to be free of defects in material and workmanship during the warranty period. *Our warranty obligation is to provide a replacement for a defective original part if the part is covered by the warranty, after we receive a proper request from the warrantee (you) for warranty service.*

### Who may request service?

Only a warrantee may request service. *You are a warrantee if* you purchased the product from Vestil or from an authorized distributor AND Vestil has been fully paid.

### What is an “original part”?

An original part is a part used to make the product as shipped to the warrantee.

### What is a “proper request”?

A request for warranty service is proper if Vestil receives: 1) a photocopy of the Customer Invoice that displays the shipping date; AND 2) a written request for warranty service including your name and phone number. Send requests by any of the following methods:

Mail  
Vestil Manufacturing Corporation  
2999 North Wayne Street, PO Box 507  
Angola, IN 46703

Fax  
(260) 665-1339  
Phone  
(260) 665-7586

Email  
info@vestil.com

In the written request, list the parts believed to be defective and include the address where replacements should be delivered.

### What is covered under the warranty?

After Vestil receives your request for warranty service, an authorized representative will contact you to determine whether your claim is covered by the warranty. Before providing warranty service, Vestil may require you to send the entire product, or just the defective part or parts, to its facility in Angola, IN. The warranty covers defects in the following *original* dynamic components: motors, hydraulic pumps, electronic controllers, switches and cylinders. It also covers defects in *original* parts that wear under normal usage conditions (“wearing parts”): bearings, hoses, wheels, seals, brushes, batteries, and the battery charger.

### How long is the warranty period?

The warranty period for original dynamic components is 90 days. For wearing parts, the warranty period is 90 days. The warranty periods begin on the date when Vestil ships the product to the warrantee. If the product was purchased from an authorized distributor, the periods begin when the distributor ships the product. Vestil may, at its sole discretion, extend the warranty periods for products shipped from authorized distributors by *up to* 30 days to account for shipping time.

### If a defective part is covered by the warranty, what will Vestil do to correct the problem?

Vestil will provide an appropriate replacement for any *covered* part. An authorized representative of Vestil will contact you to discuss your claim.

### What is not covered by the warranty?

1. Labor;
2. Freight;
3. Occurrence of any of the following, which automatically voids the warranty:
  - Product misuse;
  - Negligent operation or repair;
  - Corrosion or use in corrosive environments;
  - Inadequate or improper maintenance;
  - Damage sustained during shipping;
  - Collisions or other incidental contacts causing damage to the product;
  - Unauthorized modifications: DO NOT modify the product IN ANY WAY without first receiving written authorization from Vestil. Modification(s) might make the product unsafe to use or might cause excessive and/or abnormal wear.

### Do any other warranties apply to the product?

Vestil Manufacturing Corp. makes no other express warranties. All implied warranties are disclaimed to the extent allowed by law. Any implied warranty not disclaimed is limited in scope to the terms of this Limited Warranty.

