

60 " FARM JACK

Versatile tool will lift, push or pull, Lifts equipment, small buildings and trucks. Use for fence work, winching, dumping wagons, removing stumps, and dozens of other applications.

Specifications

Lifting capacity:

7000 lb (3175kg) (Rating established at a height of 1 ft) when lifting.

6000 lb (2722kg) when suspending by the top clamp and used as a hoist.

1000 lb (453kg) when used as a clamp between the top piece and the lifting nose.

Maximum height: 60" (152cm)

Minimum height: 6" (15cm)

Net weight: 30 lb (15kg)

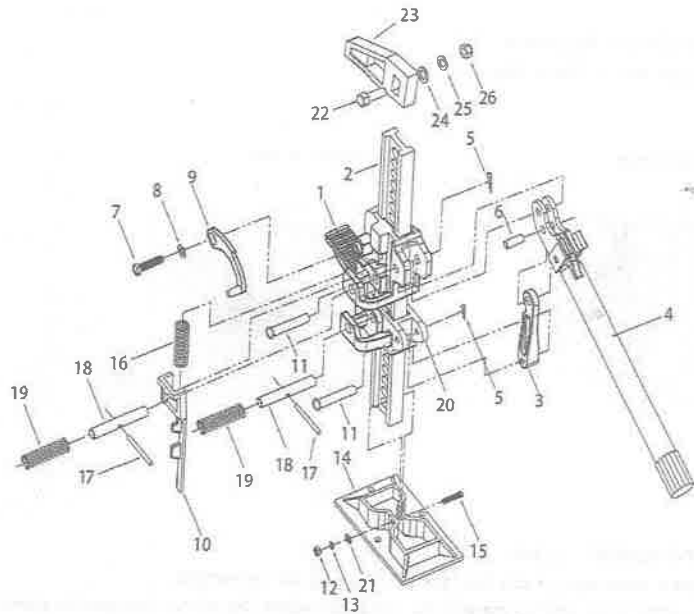
READ BEFORE USING JACK

- ◆ Visually and operationally inspect Jack before each use

- 1 -

- ◆ Improper use of this Jack is HIGHLY HAZARDOUS.
- ◆ Put handle in upright position before tripping the reversing latch to lower load.
- ◆ Always keep firm grip on handle.
- ◆ **KEEP JACK CLEAN AND OILED**
- ◆ Front and back of rail must be kept rust free.
- ◆ Place complete lifting nose of Jack under object to be lifted. Lifting nose pulls up to point of lift without pumping handle.
- ◆ Always lock and stabilize load to be lifted as Jack will not stabilize load.
- ◆ Be sure Jack is firmly supported on suitable base so it will not slip or shift during operations, and load is properly supported at lift point to prevent shifting.
- ◆ All persons shall be clear of load being raised, lowered or pulled. Never work under a raised load unless using additional supports and insert 1/2" blot (not included) through hole in steel standard immediately below lifting mechanism.
- ◆ If any part of Jack fails to work properly, discontinue and have repaired.
- ◆ **Never attempt to repair Jack while Jack is under load.**
- ◆ Never push lifted load off Jack.
- ◆ Shear pin breaks and handle drops if you exceed **7000 lb (3175kg) capacity** at 1 ft height.
- ◆ Jack must be loaded 110 lb (49.896kg) or more to lower step by step. Otherwise lifting nose drops.
- ◆ **ALL WARRANTIES VOID IF EXTENDER ON HANDLE IS USED**

- 2 -



Ref No.	Description	Qty	Ref No.	Description	Qty
1	Lifting Arm	1	18	Reverse Rod	2
2	Steel Rail	1	19	Spring	2
3	Connecting Rod	1	20	Small Runner	1
4	Handle Assembly	1	21	Flat Washer	1
5	R-Clip	2	22	Screw	1
6	Pin	1	23	Stop Block	1
7	Screw	1	24	Flat Washer	1
8	Washer	1	25	Spring Washer	1
9	Reversing Lever-Silver	1	26	Nut	1
10	Reversing Latch -Silver	1			
11	Pin	2			
12	Nut	1			
13	Spring Washer	1			
14	Base	1			
15	Bolt	1			
16	Spring	1			
17	Reverse Rod Pin	2			

FARM JACK



FARM JACK