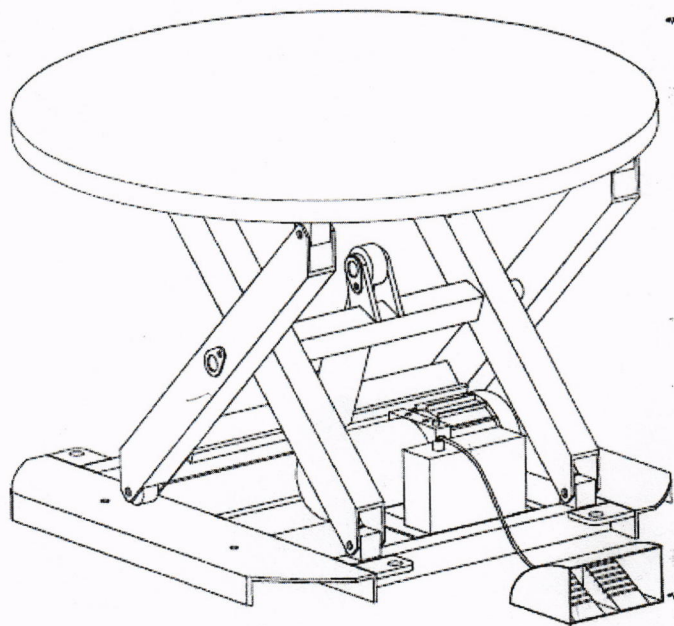


HST-40-ST

Operation Manual

Electric Circular Rotating Lift Table



SPP360-1000E/SPP360-2000E

Note: Please do read carefully and understand completely this manual before the owner/operator uses the lift table.

RevA:02/2016

CONTENTS

| | |
|---------------------------------------|---|
| 1. Brief Introduction..... | 3 |
| 2. Structure and Parameter Chart..... | 3 |
| 3. Attention and Warning..... | 4 |
| 4. Operation Instruction..... | 4 |
| 5. Electric Principle Diagram..... | 5 |
| 6. Hydraulic Principle Diagram..... | 6 |
| 7. Explosive Drawing..... | 6 |
| 8. Spare Parts List..... | 7 |