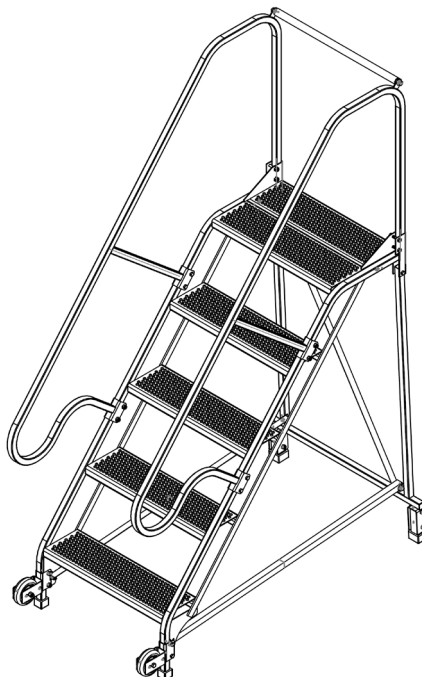




Vestil Manufacturing Corp.
2999 North Wayne Street, P.O. Box 507, Angola, IN 46703
Telephone: (260) 665-7586 -or- Toll Free (800) 348-0868
Fax: (260) 665-1339
Web: www.vestilmfg.com Email: info@vestil.com

LAD-TRN-FDA Series Mobile Ladder Stands
Instruction Manual



Receiving Instructions

After delivery, remove the packaging from the product. Inspect the product closely to determine whether it sustained damage during transport. If damage is discovered, record a complete description of it on the bill of lading. If the product is undamaged, discard the packaging.

NOTE: The end-user is solely responsible for confirming that product design, use, and maintenance comply with laws, regulations, codes, and mandatory standards applied where the product is used.

Technical Service & Replacement Parts

For answers to questions not addressed in these instructions and to order replacement parts, labels, and accessories, call our Technical Service and Parts Department at (260) 665-7586. The department can also be contacted online at http://www.vestilmfg.com/parts_info.htm.

Electronic copies of Instruction Manuals

Additional copies of this instruction manual may be downloaded from https://www.vestil.com/page-manuals.php.

Table of Contents

Specifications..... 2
Signal Words..... 2
Safety Instructions..... 3
Exploded Views and Bills of Materials..... 4, 5, 6, 7, 8, 9, 10, 11
Assembly Instructions..... 12, 13, 14
Record of Satisfactory Condition..... 14
National Standards..... 14
Using the Ladder..... 14
Inspections & Maintenance..... 15
Labeling Diagram..... 15
Limited Warranty..... 16

SPECIFICATIONS

LAD-TRN-FDA series ladders finished with a FDA white powdercoat. Fasteners are stainless steel. They should not be used in direct food contact applications.

Documents that provide specifications for LAD-TRN-FDA series mobile ladder stands are available online on the Vestil website. Specifications include dimensions, net weight, and capacity information. Acquire the appropriate specifications document by opening this webpage: <https://www.vestil.com/product.php?FID=1497>. Click the "Specifications" tab. Scroll the page to the entry for the product you purchased. Click the button in the "PDF" column that looks like a pencil inside a blue-bordered box. A PDF file will open. This file is the specifications document. Print a copy of the document as soon as your ladder is delivered and keep it with your copy of this manual. If you encounter difficulties while trying to obtain a copy of the specifications document, contact **TECHNICAL SERVICE**. Contact information is provided on the cover page of this manual.

The following is an exemplar specifications document. In this case, it shows a LAD-TRN-50-2-FDA.

TIP-N-ROLL LADDER, NON STRADDLE, FDA WHITE FINISH - LAD-TRN-50-2-FDA

APPROX WEIGHT: 73.59 lbs.
DOES NOT INCLUDE WEIGHT OF POWER OR PACKAGING!!!

*** ANY ADDITIONS, DELETIONS, OR OMISSIONS MUST BE CORRECTED ON THIS DRAWING AS THIS DRAWING WILL BE CONSIDERED ALL INCLUSIVE ***
ALL GRAPHICS PROVIDED ARE FOR REFERENCE ONLY. IF CERTAIN DIMENSIONS ARE CRITICAL PLEASE VERIFY THOSE DIMENSIONS WITH YOUR SALESPERSON

STANDARD FEATURES

MODEL NUMBER IS LAD-TRN-50-2-FDA
 OVERALL WIDTH IS 29 1/2"
 USABLE WIDTH IS 23 9/16"
 OVERALL LENGTH IS 30 15/16"
 USABLE LENGTH IS 25 1/16"
 OVERALL HEIGHT IS 50"
 PLATFORM HEIGHT IS 20"
 STEP TYPE IS PERFORATED
 CLIMB ANGLE IS 50°
 STEP DIMENSION IS 24" x 7"
 TOP STEP DIMENSION IS 24" x 14"
 MAX CAPACITY IS 350 LBS
 DURABLE BAKED IN POWDER COATED FDA WHITE FINISH

SPECIAL FEATURES

NONE

NOTE

-SOME ASSEMBLY REQUIRED
 -TOOL TRAY SOLD SEPARATELY

DIMENSION TOLERANCE ± 1/4"

APPROVAL

I, THE UNDERSIGNED, AGREE THAT THE PRODUCT AS REPRESENTED SATISFIES DESIGN AND DIMENSION REQUIREMENTS. I ALSO ACKNOWLEDGE MY DUTY TO CONFIRM PRODUCT AND INSTALLATION COMPLIANCE WITH ALL APPLICABLE FEDERAL, STATE AND LOCAL REGULATIONS AND STANDARDS.
UNITS REQUIRING APPROVAL DRAWINGS OR MODIFIED ARE NON-RETURNABLE
 As drawn As marked

Signed: _____ Date: _____
 Printed Name: _____
LEAD TIME WILL START UPON RECEIPT OF SIGNED APPROVAL DRAWING

DISTRIBUTOR'S NAME: VESTIL MANUFACTURING		P.O.# X
DRAWN BY: KGH	DATE: 3/20/2020	W.O.# X
REFERENCE: X	SCALE: 1:15	SALES: X
QUOTED LEAD TIME: X	QUOTE # X	FILE NAME: 44-007-686

NOTE: If your model is not included on the webpage, or if you cannot access and/or print the document, contact the **TECHNICAL SERVICE DEPT.** Contact information is provided on the front page of this manual.

SIGNAL WORDS

This manual uses SIGNAL WORDS to indicate the likelihood of personal injuries, as well as the probable seriousness of those injuries, if the product is misused in the ways described. Other signal words call attention to uses of the product likely cause property damage. The signal words used appear below along with the meaning of each word.



Identifies a hazardous situation which, if not avoided, WILL result in DEATH or SERIOUS INJURY. Use of this signal word is limited to the most extreme situations.



Identifies a hazardous situation which, if not avoided, COULD result in DEATH or SERIOUS INJURY.



Identifies practices likely to result in product/property damage, such as operation that might damage the crane.

SAFETY INSTRUCTIONS

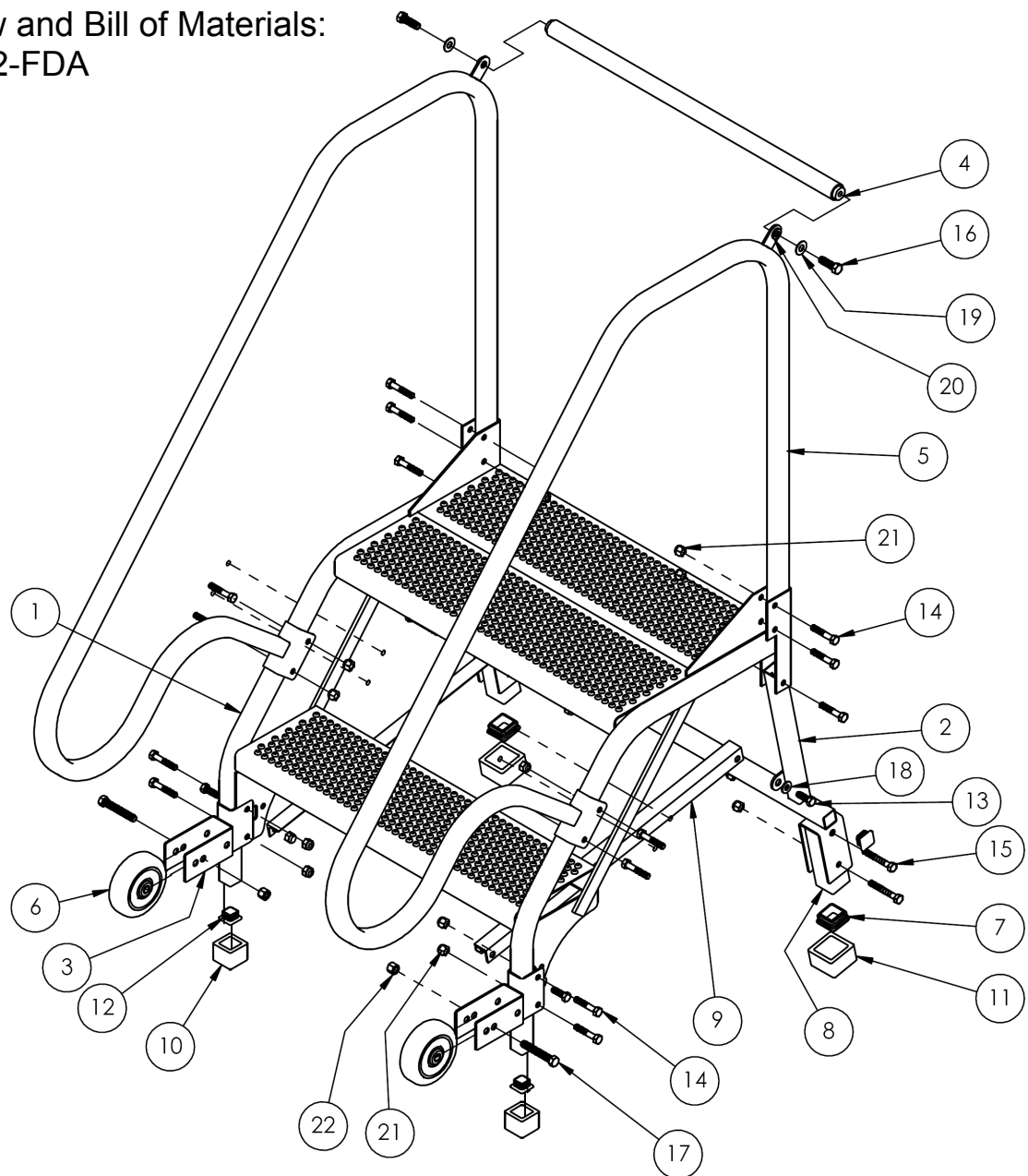
Vestil strives to identify foreseeable hazards associated with the use of its products. However, no manual can address every conceivable risk. The most effective way to avoid injury is to exercise sound judgment when assembling, using, inspecting, and maintaining this ladder. **Keep a copy of this manual with the ladder at all times.** For example, put the copy inside a plastic pouch and attach the pouch to the frame. **Anyone who uses this ladder must be made aware that a copy of the manual is available and where to find it.**

⚠️WARNING

Improper or careless use could result in serious personal injuries or death.

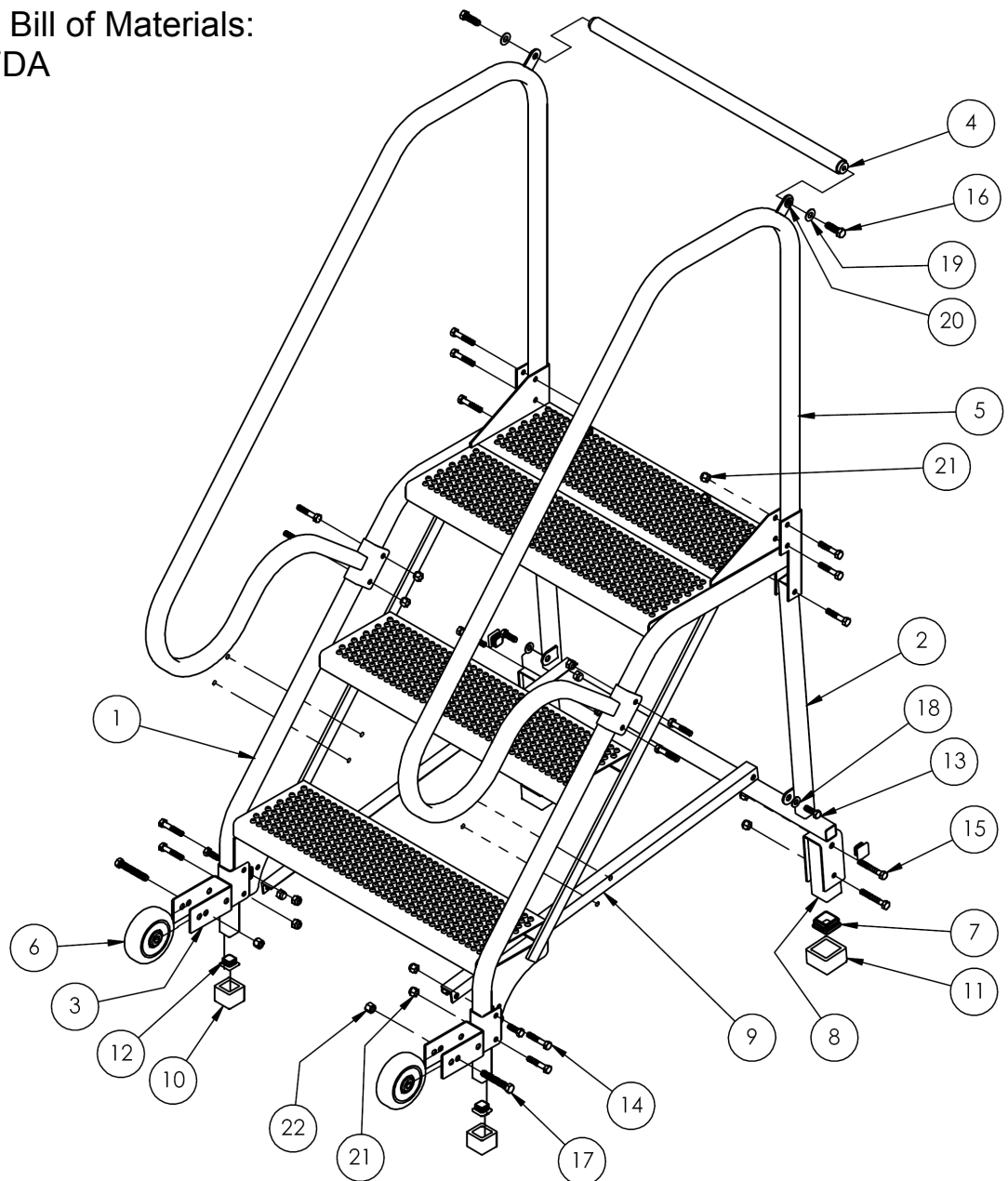
- **Read and understand the entire manual before assembling, using, inspecting, or servicing the ladder.**
- **DO NOT use this ladder unless you are in good health. NEVER use the ladder while under the influence of alcohol or drugs, including prescription medication that affects balance, perception, or judgment.**
- DO NOT exceed the capacity/rated load. The total weight applied to the ladder (weight of the user plus tools, etc.) must not be greater than the capacity. The capacity is provided on label 287. See [LABELING DIAGRAM](#) on p. 15.
- Wear appropriate footwear. DO NOT wear high-heeled shoes or footwear with smooth soles. DO NOT use the ladder on uneven, sloped, or unstable surfaces. **ONLY use the ladder on even, level, improved surfaces (concrete or asphalt).**
- Make sure that you will not contact overhead objects with either your body or with the ladder during use.
- Avoid electrical shock! Take precautions to prevent contact, or possible contact, with an energized, insulated conductor (electrical line).
- Remove foreign matter, e.g. mud, from your shoes *before* walking on the ladder. Only wear slip-resistant shoes.
- Only stand on the steps. DO NOT climb on the railing. DO NOT slide on the railing.
- DO NOT access, or egress from, any step from another elevated surface unless the ladder is positively secured against movement.
- ALWAYS face the stairs and use the handrails while ascending and descending the ladder.
- DO NOT increase the height of a step by standing on other objects placed on the ladder.
- Inspect the ladder as described in [INSPECTIONS & MAINTENANCE](#) on p. 15. DO NOT use the ladder unless it is in [SATISFACTORY CONDITION](#). See [RECORD OF SATISFACTORY CONDITION](#) on p. 14. ONLY use manufacturer-approved replacement parts when repairs are necessary.
- DO NOT use the ladder if either square cap (99-024-027) is worn. See applicable [EXPLODED VIEW](#) on p. 4-11. Caps should prevent the ladder from sliding. Replace worn or damaged caps before using the ladder.
- ONLY use the ladder to access elevated working positions. DO NOT use the ladder for any other purpose. DO NOT store materials and/or equipment on the steps. Always unload the ladder before leaving it unattended.
- DO NOT position an occupied ladder in front of a door unless that door is secured in an open position, is locked, is attended, or is barricaded.
- DO NOT lean, or reach, over the side rails or handrails of the ladder. Position the ladder as close to the work as possible. Reposition the ladder to prevent overreaching. Overreaching could cause instability and result in a fall.
- Avoid sudden shifts while on the ladder.
- DO NOT push, pull, or lean on the handrails.
- DO NOT skip steps. Climb the ladder one step at a time.
- DO NOT attempt to move the ladder while someone is using it. The ladder must be unoccupied before it is moved.
- Completely empty the tool tray before moving the ladder. Items might fall out of the tray and cause injury.
- DO NOT use the ladder to transport people or objects. DO NOT ride on the ladder.
- DO NOT remove or obscure any label. Each label must be readable, undamaged, and present in the appropriate location. See [LABELING DIAGRAM](#) on p. 15.
- DO NOT modify this ladder! Unauthorized modifications automatically void the [LIMITED WARRANTY](#) (p. 16) and might make the ladder unsafe to use.

Exploded View and Bill of Materials:
LAD-TRN-50-2-FDA
 44-006-686



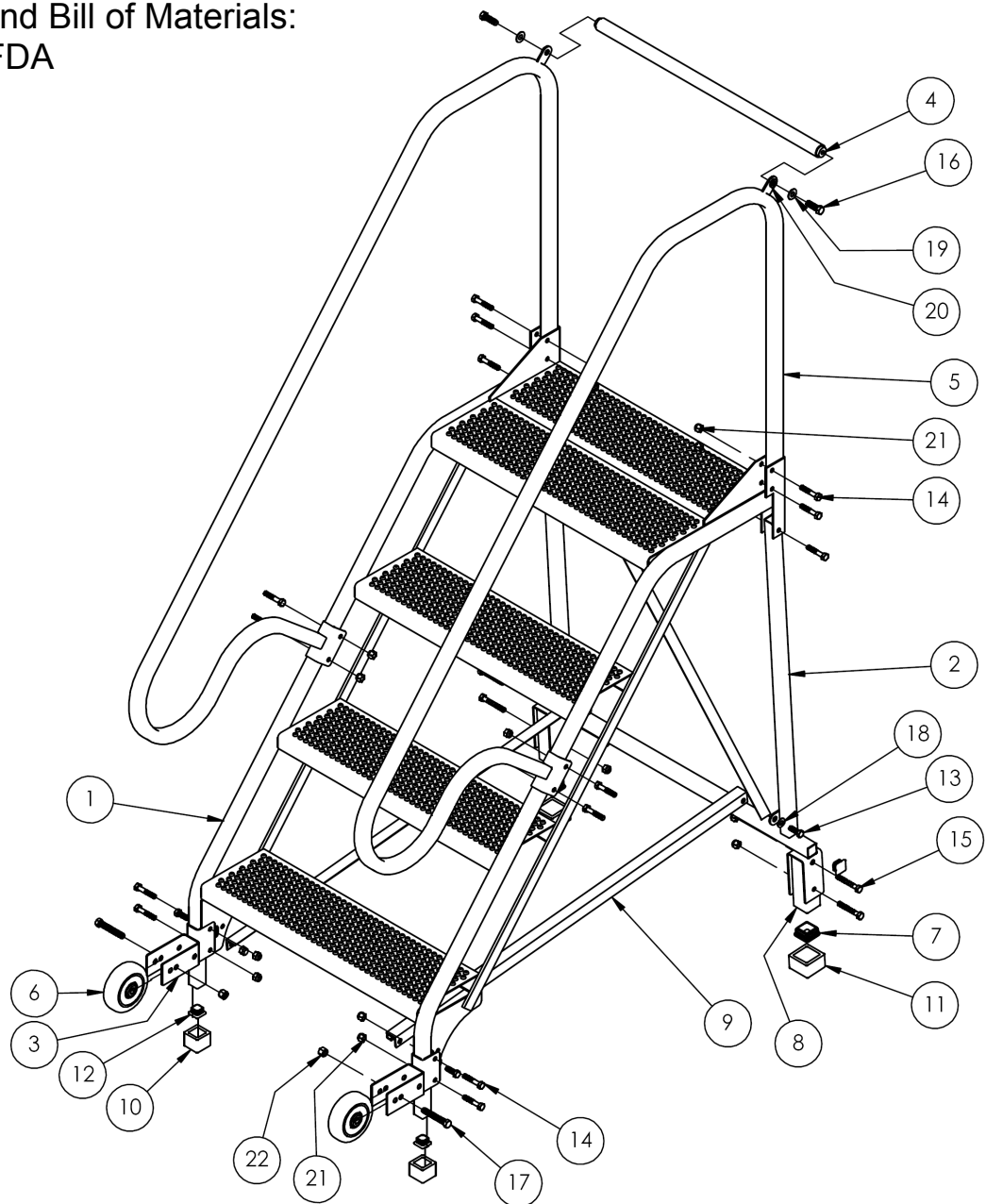
Item	Part no.	Description	Qty.	Item	Part no.	Description	Qty.
1	44-647-092	Weldment, 2-step frame, 50°	1	12	99-025-025	1" plastic plug (black)	4
2	44-514-299	Weldment, back leg, 2-step, 26" step	1	13	70055	Bolt, $\frac{5}{16}$ "-18 x 1", HHCS/SS	4
3	44-514-313	Weldment, frame, caster tilter	2	14	70060	Bolt, $\frac{5}{16}$ "-18 x $1\frac{3}{4}$ ". HHCS/SS	14
4	44-514-314	Weldment, frame, back platform	1	15	70062	Bolt, $\frac{5}{16}$ "-18 x $2\frac{1}{4}$ ". HHCS/SS	4
5	44-524-193	Weldment, handrail	2	16	70107	Bolt, $\frac{3}{8}$ "-16 x $1\frac{1}{4}$ ". HHCS/SS	2
6	16-132-009	Wheel, PP-4/1.25-W	2	17	70113	Hex head cap screw, gr. 18-8, SS, $\frac{3}{8}$ "-16 x $2\frac{1}{2}$ ".	2
7	21-024-016	Cap, square ribbed inserts	2	18	71015	Flat washer, $\frac{5}{16}$ ", 18-8, SS, small OD	4
8	44-014-487	Frame, tube, back leg	2	19	71017	Flat washer, gr. 18-8, SS, $\frac{3}{8}$ "	2
9	44-014-508	Base support	2	20	71067	Lock washer, $\frac{3}{8}$ ", 18-8, SS	2
10	99-024-027	Square cap, 1'x1', 60 duro.	2	21	70861	Nylock nut, $\frac{5}{16}$ "-18, SS	22
11	99-024-028	Square cap, $1\frac{1}{2}$ "x $1\frac{1}{2}$ "	2	22	70862	Nylock nut, gr. 18-8, SS, $\frac{3}{8}$ "-16	2

Exploded View & Bill of Materials:
LAD-TRN-50-3-FDA
 44-006-687



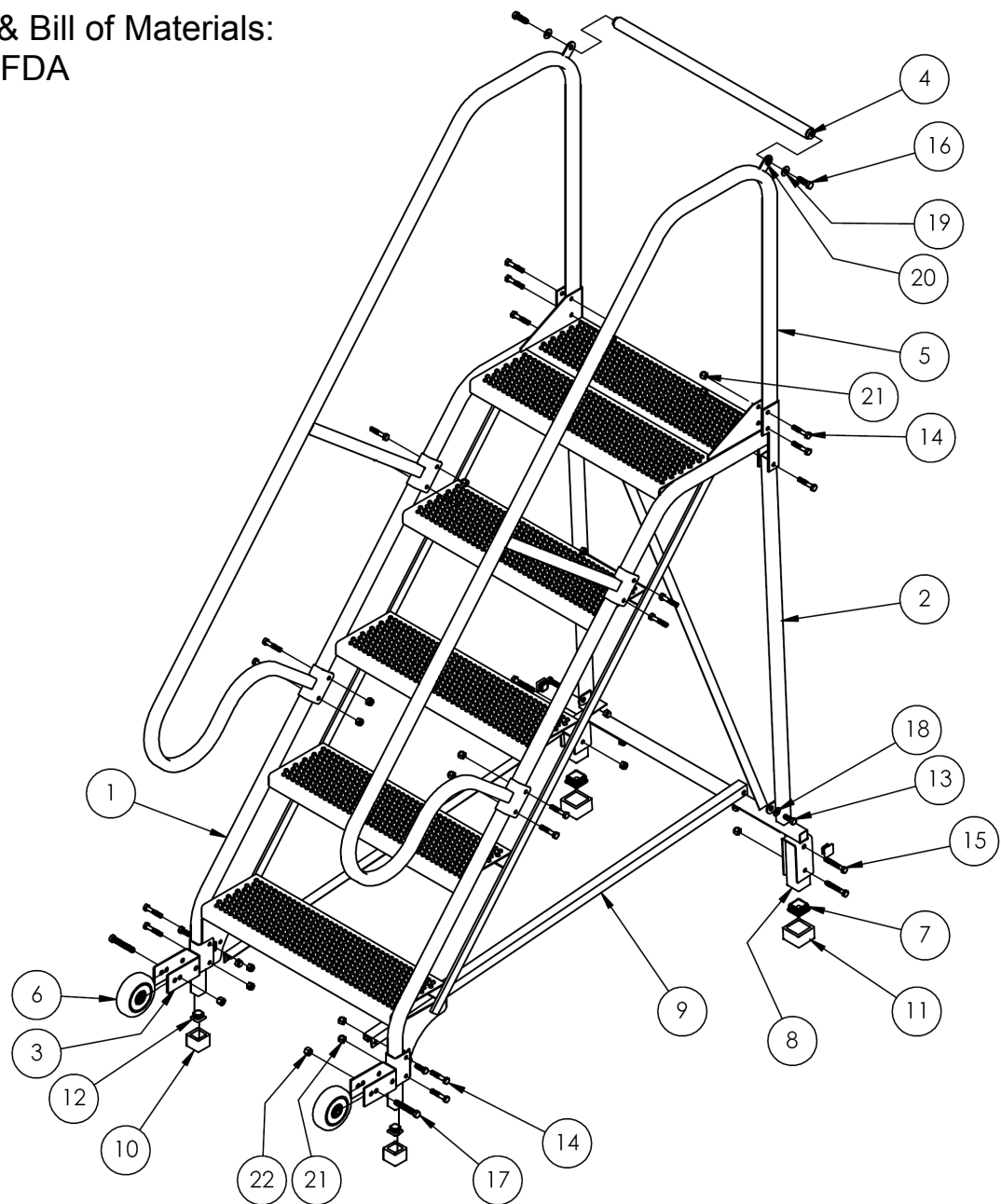
Item	Part no.	Description	Qty.	Item	Part no.	Description	Qty.
1	44-647-093	Weldment, 3-step frame, 50°	1	12	99-025-025	1" plastic plug (black)	4
2	44-514-300	Weldment, back leg, 3-step, 26" step	1	13	70055	Bolt, $\frac{5}{16}$ "-18 x 1", HHCS/SS	4
3	44-514-313	Weldment, frame, caster tilter	2	14	70060	Bolt, $\frac{5}{16}$ "-18 x $1\frac{3}{4}$ ". HHCS/SS	14
4	44-514-314	Weldment, frame, back platform	1	15	70062	Bolt, $\frac{5}{16}$ "-18 x $2\frac{1}{4}$ ". HHCS/SS	4
5	44-524-193	Weldment, handrail	2	16	70107	Bolt, $\frac{3}{8}$ "-16 x $1\frac{1}{4}$ ". HHCS/SS	2
6	16-132-009	Wheel, PP-4/1.25-W	2	17	70113	Hex head cap screw, gr. 18-8, SS, $\frac{3}{8}$ "-16 x $2\frac{1}{2}$ ".	2
7	21-024-016	Cap, square ribbed inserts	2	18	71015	Flat washer, $\frac{5}{16}$ ", 18-8, SS, small OD	4
8	44-014-487	Frame, tube, back leg	2	19	71017	Flat washer, gr. 18-8, SS, $\frac{3}{8}$ "	2
9	44-014-509	Base support	2	20	71067	Lock washer, $\frac{3}{8}$ ", 18-8, SS	2
10	99-024-027	Square cap, 1'x1', 60 duro.	2	21	70861	Nylock nut, $\frac{5}{16}$ "-18, SS	22
11	99-024-028	Square cap, $1\frac{1}{2}$ "x $1\frac{1}{2}$ "	2	22	70862	Nylock nut, gr. 18-8, SS, $\frac{3}{8}$ "-16	2

Exploded View and Bill of Materials:
LAD-TRN-50-4-FDA
 44-006-688



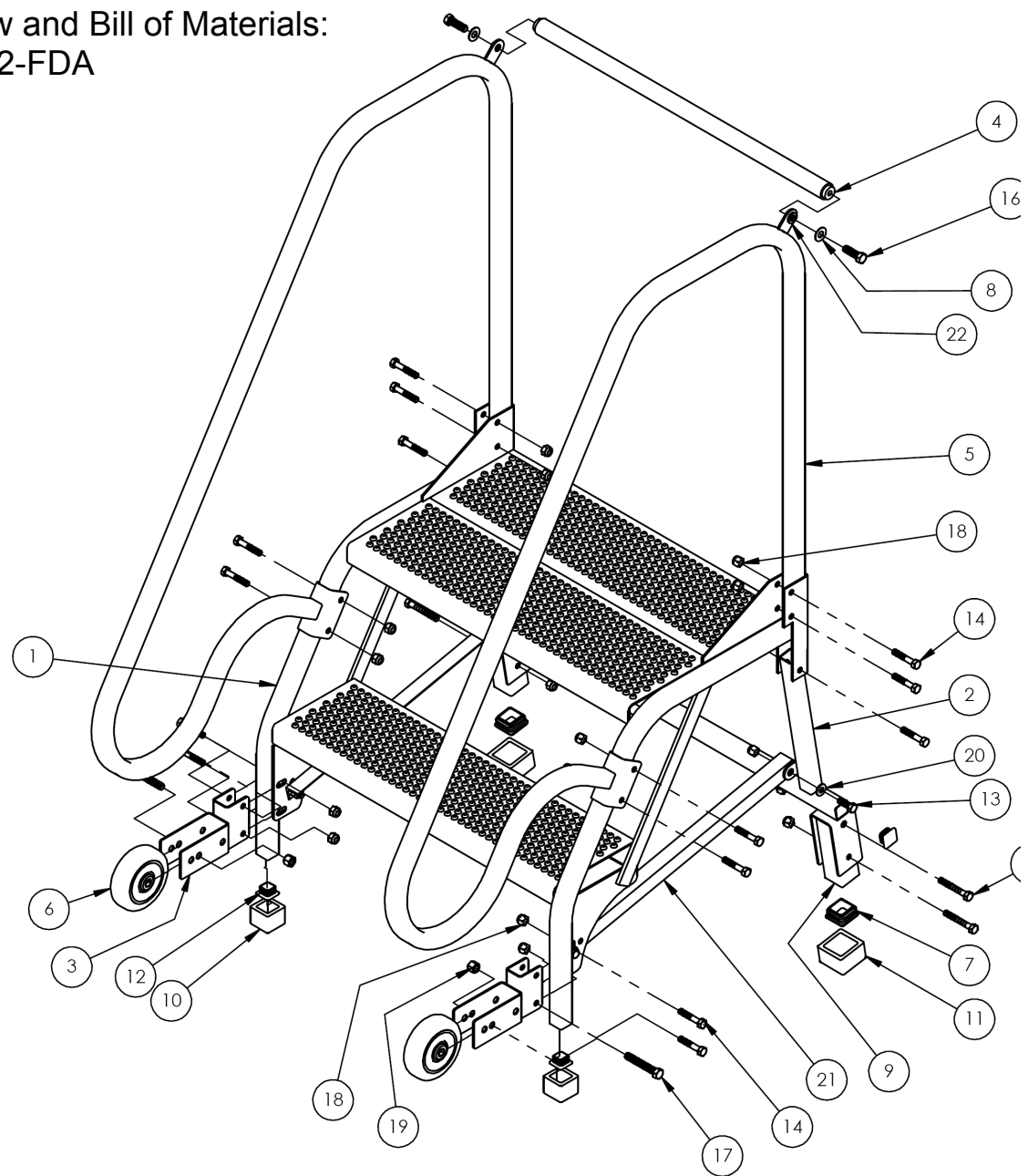
Item	Part no.	Description	Qty.	Item	Part no.	Description	Qty.
1	44-647-094	Weldment, 4-step frame, 50°	1	12	99-025-025	1" plastic plug (black)	4
2	44-514-301	Weldment, back leg, 4-step, 26" step	1	13	70055	Bolt, $\frac{5}{16}$ "-18 x 1", HHCS/SS	4
3	44-514-313	Weldment, frame, caster tilter	2	14	70060	Bolt, $\frac{5}{16}$ "-18 x $1\frac{3}{4}$ ". HHCS/SS	14
4	44-514-314	Weldment, frame, back platform	1	15	70062	Bolt, $\frac{5}{16}$ "-18 x $2\frac{1}{4}$ ". HHCS/SS	4
5	44-524-194	Weldment, handrail	2	16	70107	Bolt, $\frac{3}{8}$ "-16 x $1\frac{1}{4}$ ". HHCS/SS	2
6	16-132-009	Wheel, PP-4/1.25-W	2	17	70113	Hex head cap screw, gr. 18-8, SS, $\frac{3}{8}$ "-16 x $2\frac{1}{2}$ ".	2
7	21-024-016	Cap, square ribbed inserts	2	18	71015	Flat washer, $\frac{5}{16}$ ", 18-8, SS, small OD	4
8	44-014-487	Frame, tube, back leg	2	19	71017	Flat washer, gr. 18-8, SS, $\frac{3}{8}$ "	2
9	44-014-233	Base support	2	20	71067	Lock washer, $\frac{3}{8}$ ", 18-8, SS	2
10	99-024-027	Square cap, 1'x1', 60 duro.	2	21	70861	Nylock nut, $\frac{5}{16}$ "-18, SS	22
11	99-024-028	Square cap, $1\frac{1}{2}$ "x $1\frac{1}{2}$ "	2	22	70862	Nylock nut, gr. 18-8, SS, $\frac{3}{8}$ "-16	2

Exploded View & Bill of Materials:
LAD-TRN-50-5-FDA
 44-006-689



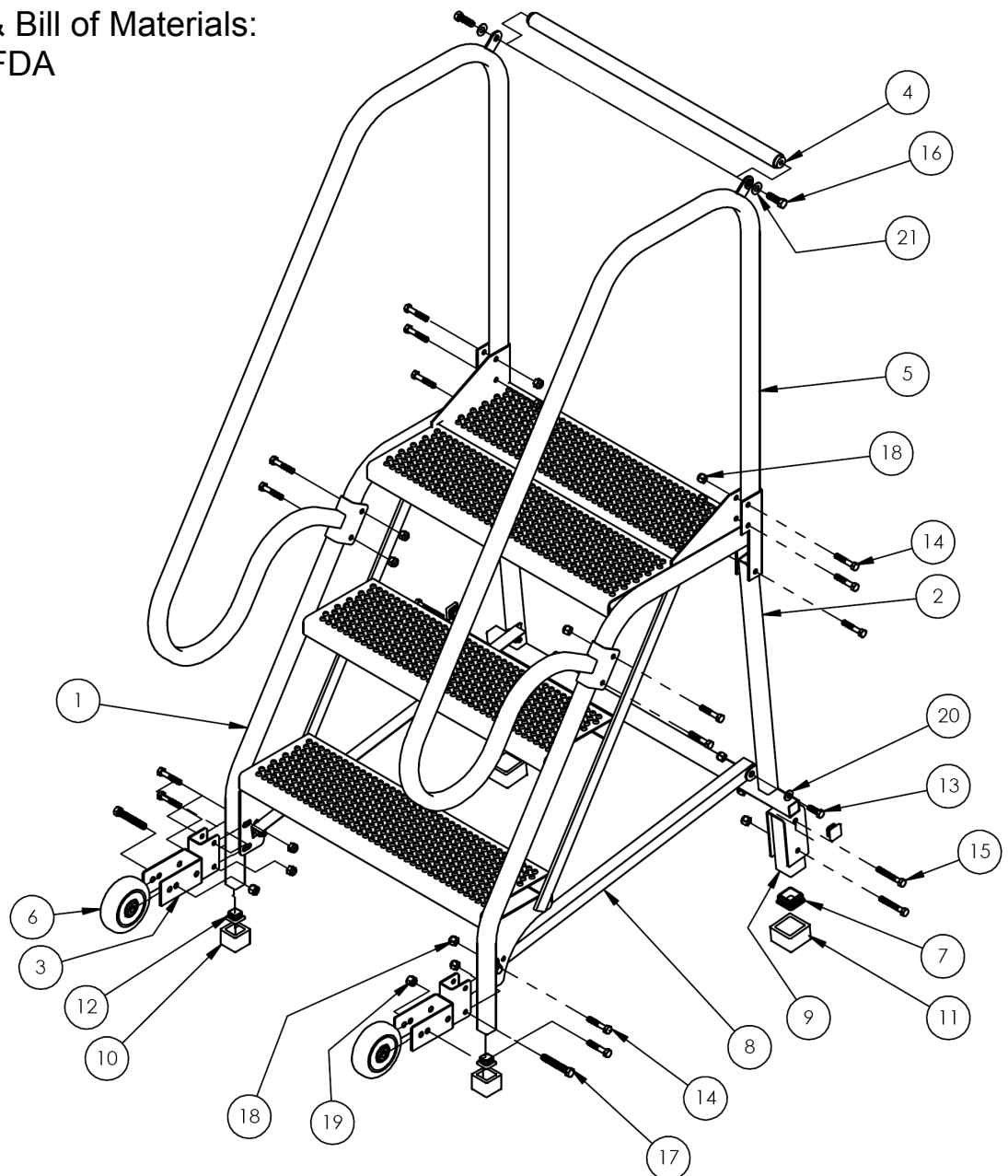
Item	Part no.	Description	Qty.	Item	Part no.	Description	Qty.
1	44-647-095	Weldment, 5-step frame, 50°	1	12	99-025-025	1" plastic plug (black)	4
2	44-514-302	Weldment, back leg, 5-step, 26" step	1	13	70055	Bolt, $\frac{5}{16}$ "-18 x 1", HHCS/SS	4
3	44-514-313	Weldment, frame, caster tilter	2	14	70060	Bolt, $\frac{5}{16}$ "-18 x $1\frac{3}{4}$ ". HHCS/SS	18
4	44-514-314	Weldment, frame, back platform	1	15	70062	Bolt, $\frac{5}{16}$ "-18 x $2\frac{1}{4}$ ". HHCS/SS	4
5	44-524-195	Weldment, handrail	2	16	70107	Bolt, $\frac{3}{8}$ "-16 x $1\frac{1}{4}$ ". HHCS/SS	2
6	16-132-009	Wheel, PP-4/1.25-W	2	17	70113	Hex head cap screw, gr. 18-8, SS, $\frac{3}{8}$ "-16 x $2\frac{1}{2}$ ".	2
7	21-024-016	Cap, square ribbed inserts	2	18	71015	Flat washer, $\frac{5}{16}$ ", 18-8, SS, small OD	4
8	44-014-487	Frame, tube, back leg	2	19	71017	Flat washer, gr. 18-8, SS, $\frac{3}{8}$ "	2
9	44-014-510	Base support	2	20	71067	Lock washer, $\frac{3}{8}$ ", 18-8, SS	2
10	99-024-027	Square cap, 1'x1', 60 duro.	2	21	70861	Nylock nut, $\frac{5}{16}$ "-18, SS	26
11	99-024-028	Square cap, 1 $\frac{1}{2}$ "x1 $\frac{1}{2}$ "	2	22	70862	Nylock nut, gr. 18-8, SS, $\frac{3}{8}$ "-16	2

Exploded View and Bill of Materials:
LAD-TRN-60-2-FDA
 44-006-408



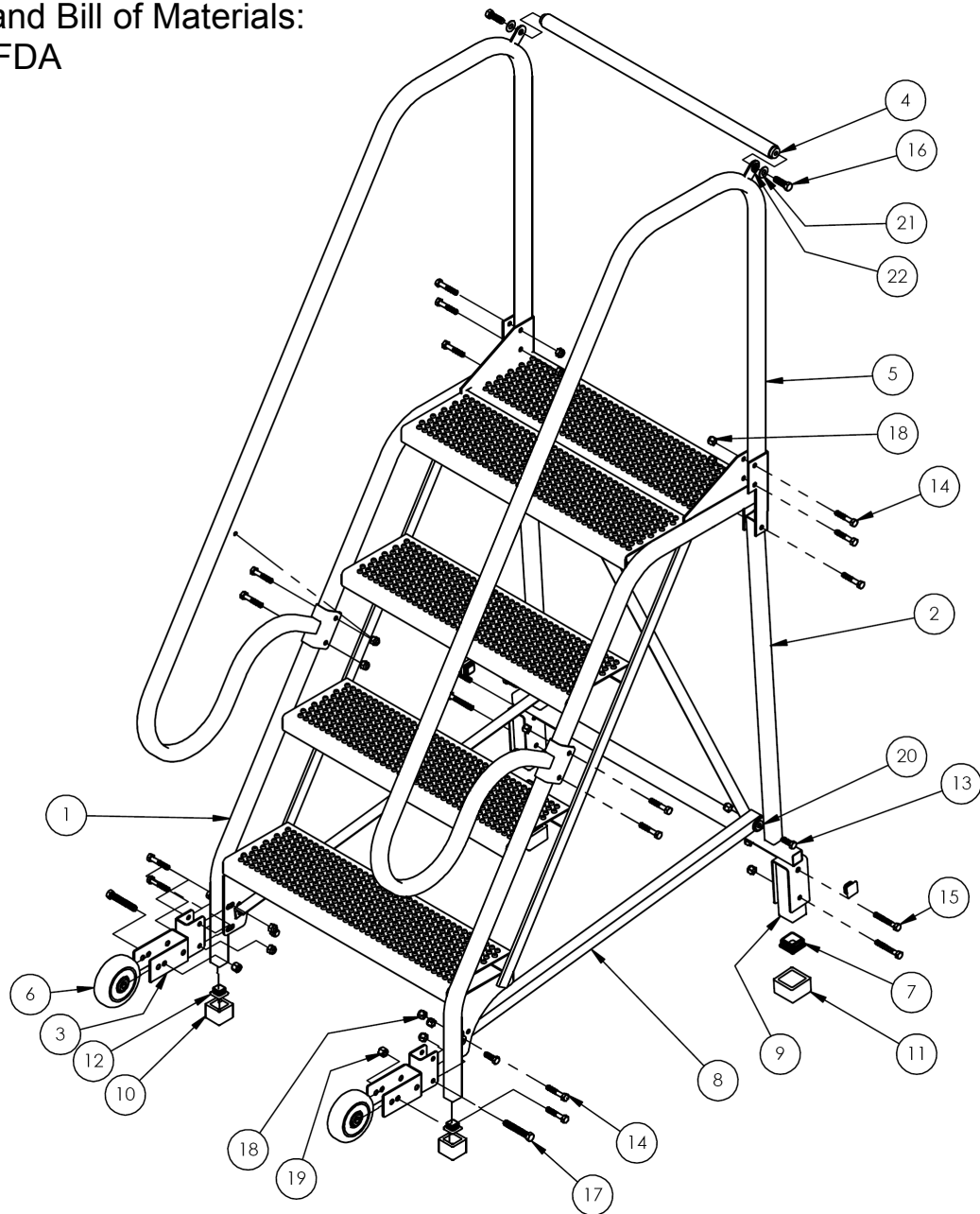
Item	Part no.	Description	Qty.	Item	Part no.	Description	Qty.
1	44-647-077	Weldment, 2-step frame, 60°	1	12	99-025-025	1" plastic plug (black)	4
2	44-514-299	Weldment, back leg, 2-step, 26" step	1	13	70055	Bolt, $\frac{5}{16}$ "-18 x 1", HHCS/SS	4
3	44-514-313	Weldment, frame, caster tilter	2	14	70060	Bolt, $\frac{5}{16}$ "-18 x $1\frac{3}{4}$ ". HHCS/SS	14
4	44-514-314	Weldment, frame, back platform	1	15	70062	Bolt, $\frac{5}{16}$ "-18 x $2\frac{1}{4}$ ". HHCS/SS	4
5	44-524-118	Weldment, handrail	2	16	70107	Bolt, $\frac{3}{8}$ "-16 x $1\frac{1}{4}$ ". HHCS/SS	2
6	16-132-009	Wheel, PP-4/1.25-W	2	17	70113	Hex head cap screw, gr. 18-8, SS, $\frac{3}{8}$ "-16 x $2\frac{1}{2}$ ".	2
7	21-024-016	Cap, square ribbed inserts	2	18	70861	Nylock nut, $\frac{5}{16}$ "-18, SS	22
8	71017	Flat washer, gr. 18-8, SS, $\frac{3}{8}$ "	2	19	70862	Nylock nut, gr. 18-8, SS, $\frac{3}{8}$ "-16	2
9	44-014-487	Frame, tube, back support	2	20	71015	Flat washer, $\frac{5}{16}$ ", 18-8, SS, small OD	4
10	99-024-027	Square cap, 1'x1', 60 duro.	2	21	44-014-496	Frame, base support	2
11	99-024-028	Square cap, $1\frac{1}{2}$ "x $1\frac{1}{2}$ "	2	22	71067	Lock washer, $\frac{3}{8}$ ", 18-8, SS	2

Exploded View & Bill of Materials:
LAD-TRN-60-3-FDA
 44-006-409



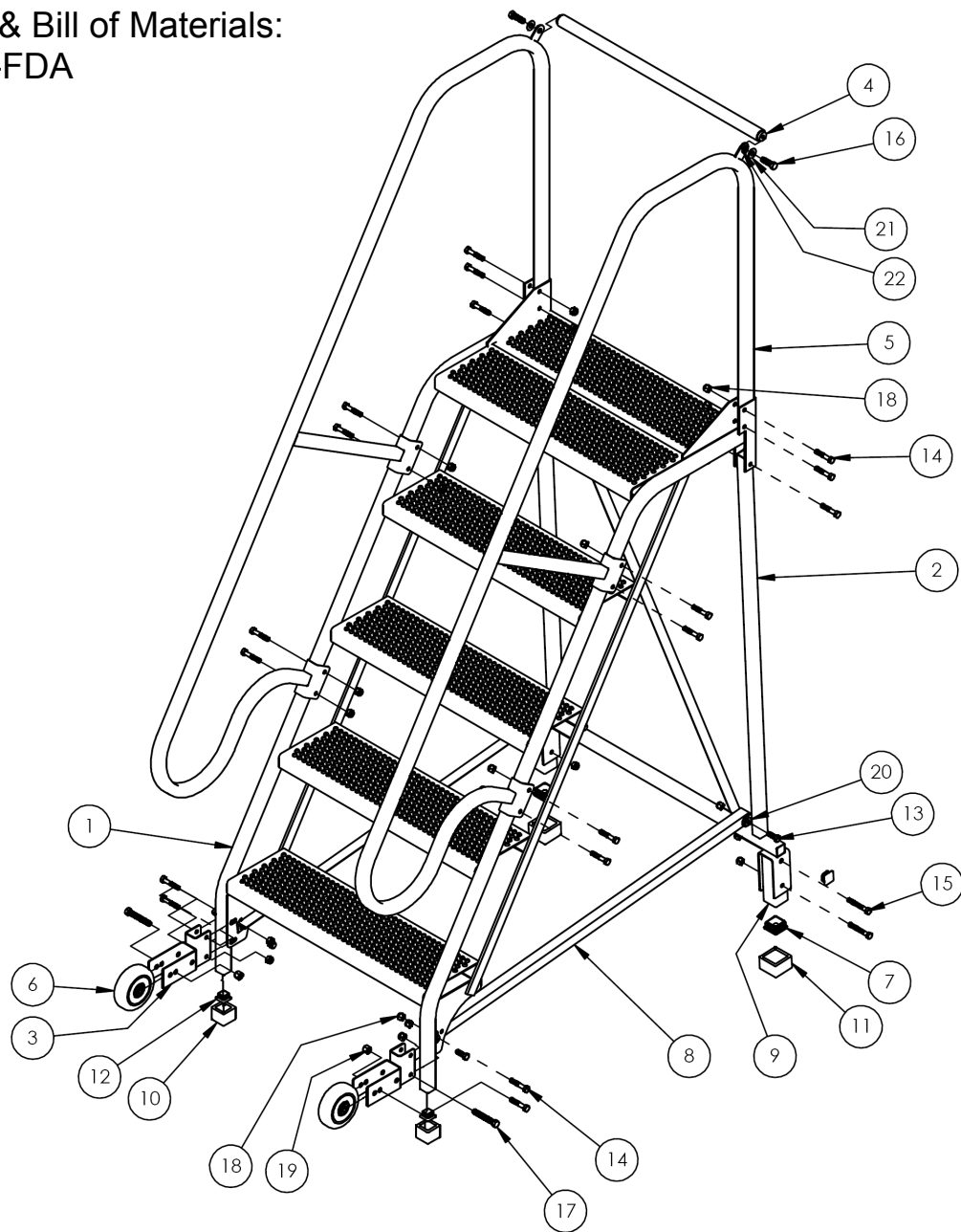
Item	Part no.	Description	Qty.	Item	Part no.	Description	Qty.
1	44-647-079	Weldment, 3-step frame, 60°	1	12	99-025-025	1" plastic plug (black)	4
2	44-514-300	Weldment, back leg, 3-step, 26" step	1	13	70055	Bolt, $\frac{5}{16}$ "-18 x 1", HHCS/SS	4
3	44-514-313	Weldment, frame, caster tilter	2	14	70060	Bolt, $\frac{5}{16}$ "-18 x $1\frac{3}{4}$ ". HHCS/SS	14
4	44-514-314	Weldment, frame, back platform	1	15	70062	Bolt, $\frac{5}{16}$ "-18 x $2\frac{1}{4}$ ". HHCS/SS	4
5	44-524-118	Weldment, handrail	2	16	70107	Bolt, $\frac{3}{8}$ "-16 x $1\frac{1}{4}$ ". HHCS/SS	2
6	16-132-009	Wheel, PP-4/1.25-W	2	17	70113	Hex head cap screw, gr. 18-8, SS, $\frac{3}{8}$ "-16 x $2\frac{1}{2}$ ".	2
7	21-024-016	Cap, square ribbed inserts	2	18	70861	Nylock nut, $\frac{5}{16}$ "-18, SS	22
8	44-014-331	Frame, base support	2	19	70862	Nylock nut, gr. 18-8, SS, $\frac{3}{8}$ "-16	2
9	44-014-487	Frame, tube, back leg	2	20	71015	Flat washer, $\frac{5}{16}$ ", 18-8, SS, small OD	4
10	99-024-027	Square cap, 1'x1', 60 duro.	2	21	71017	Flat washer, gr. 18-8, SS, $\frac{3}{8}$ "	2
11	99-024-028	Square cap, $1\frac{1}{2}$ "x $1\frac{1}{2}$ "	2	22	71067	Lock washer, $\frac{3}{8}$ ", 18-8, SS	2

Exploded View and Bill of Materials:
LAD-TRN-60-4-FDA
 44-006-410



Item	Part no.	Description	Qty.	Item	Part no.	Description	Qty.
1	44-647-081	Weldment, 4-step frame, 60°	1	12	99-025-025	1" plastic plug (black)	4
2	44-514-301	Weldment, back leg, 4-step, 26" step	1	13	70055	Bolt, $\frac{5}{16}$ "-18 x 1", HHCS/SS	4
3	44-514-313	Weldment, frame, caster tilter	2	14	70060	Bolt, $\frac{5}{16}$ "-18 x $1\frac{3}{4}$ ". HHCS/SS	14
4	44-514-314	Weldment, frame, back platform	1	15	70062	Bolt, $\frac{5}{16}$ "-18 x $2\frac{1}{4}$ ". HHCS/SS	4
5	44-524-119	Weldment, handrail	2	16	70107	Bolt, $\frac{3}{8}$ "-16 x $1\frac{1}{4}$ ". HHCS/SS	2
6	16-132-009	Wheel, PP-4/1.25-W	2	17	70113	Hex head cap screw, gr. 18-8, SS, $\frac{3}{8}$ "-16 x $2\frac{1}{2}$ ".	2
7	21-024-016	Cap, square ribbed inserts	2	18	70861	Nylock nut, $\frac{5}{16}$ "-18, SS	22
8	44-014-332	Frame, base support	2	19	70862	Nylock nut, gr. 18-8, SS, $\frac{3}{8}$ "-16	2
9	44-014-487	Frame, tube, back leg	2	20	71015	Flat washer, $\frac{5}{16}$ ", 18-8, SS, small OD	4
10	99-024-027	Square cap, 1'x1', 60 duro.	2	21	71017	Flat washer, gr. 18-8, SS, $\frac{3}{8}$ "	2
11	99-024-028	Square cap, $1\frac{1}{2}$ "x $1\frac{1}{2}$ "	2	22	71067	Lock washer, $\frac{3}{8}$ ", 18-8, SS	2

Exploded View & Bill of Materials:
LAD-TRN-60-5-FDA
 44-006-411



Item	Part no.	Description	Qty.	Item	Part no.	Description	Qty.
1	44-647-083	Weldment, 4-step frame, 60°	1	12	99-025-025	1" plastic plug (black)	4
2	44-514-302	Weldment, back leg, 4-step, 26" step	1	13	70055	Bolt, $\frac{5}{16}$ "-18 x 1", HHCS/SS	4
3	44-514-313	Weldment, frame, caster tilter	2	14	70060	Bolt, $\frac{5}{16}$ "-18 x $1\frac{3}{4}$ ". HHCS/SS	18
4	44-514-314	Weldment, frame, back platform	1	15	70062	Bolt, $\frac{5}{16}$ "-18 x $2\frac{1}{4}$ ". HHCS/SS	4
5	44-524-120	Weldment, handrail	2	16	70107	Bolt, $\frac{3}{8}$ "-16 x $1\frac{1}{4}$ ". HHCS/SS	2
6	16-132-009	Wheel, PP-4/1.25-W	2	17	70113	Hex head cap screw, gr. 18-8, SS, $\frac{3}{8}$ "-16 x $2\frac{1}{2}$ ".	2
7	21-024-016	Cap, square ribbed inserts	2	18	70861	Nylock nut, $\frac{5}{16}$ "-18, SS	26
8	44-014-233	Frame, base support	2	19	70862	Nylock nut, gr. 18-8, SS, $\frac{3}{8}$ "-16	2
9	44-014-487	Frame, tube, back leg	2	20	71015	Flat washer, $\frac{5}{16}$ ", 18-8, SS, small OD	4
10	99-024-027	Square cap, 1'x1', 60 duro.	2	21	71017	Flat washer, gr. 18-8, SS, $\frac{3}{8}$ "	2
11	99-024-028	Square cap, $1\frac{1}{2}$ "x $1\frac{1}{2}$ "	2	22	71067	Lock washer, $\frac{3}{8}$ ", 18-8, SS	2

ASSEMBLY INSTRUCTIONS

WARNING

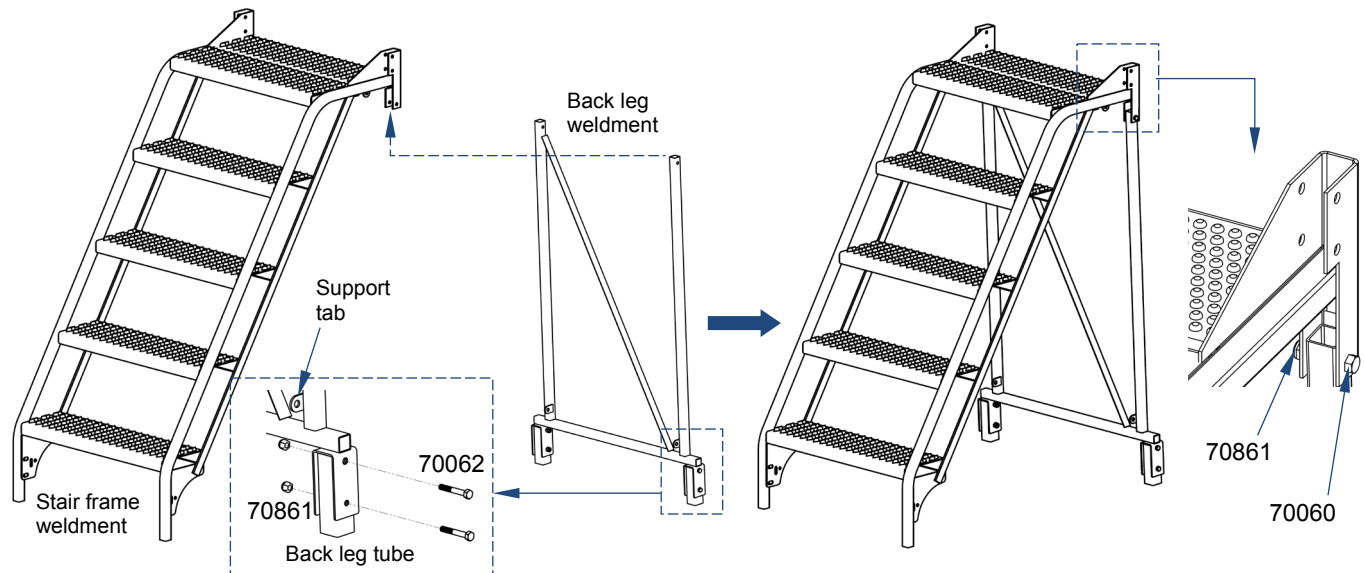
Improper or incomplete assembly might result in a ladder that is unsafe to use.

- Visually inspect all ladder components *prior to assembly*. Look at each part of the ladder immediately after you receive the package from the shipper. Determine whether damage occurred during shipping. **DO NOT** assemble or use the ladder stand if you notice any damage, especially to the step weldment, back leg weldment, base supports, or handrails. Using a damaged component could lead to ladder collapse and result in serious personal injuries.
- While assembling this ladder, confirm that only locking fasteners are provided, i.e. only locking nuts. Contact [TECHNICAL SERVICE](#) (p. 1) if you find non-locking nuts. Only lock nuts should be used. However, lock nuts can only safely be used once. Discard the used lock nut and install a new lock nut after unfastening a connection
- **DO NOT** assemble the ladder by yourself. At least 2 people are needed for assembly.
- Read the entire instruction manual before assembling this ladder.
- **DO NOT** use the ladder if a wheel is damaged. Damaged wheels might cause the ladder to wobble or tip when used.

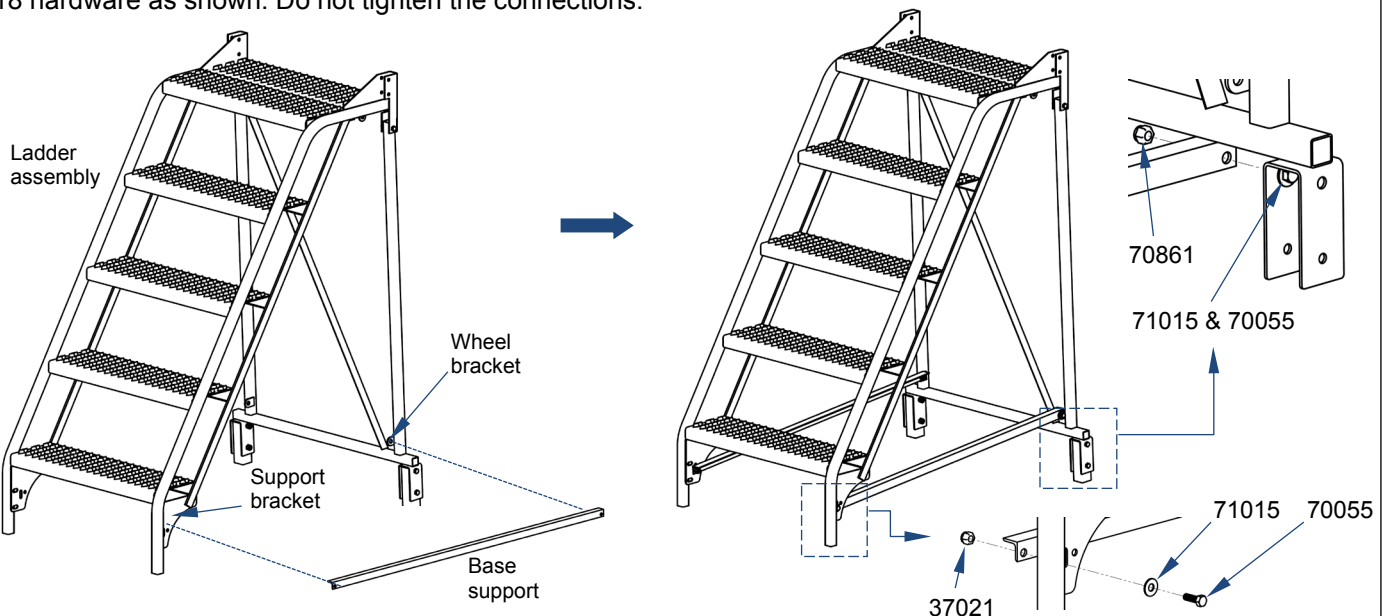
The following tools are necessary to assemble the ladder: 2 crescent wrenches ($\frac{5}{16}$ " and $\frac{3}{8}$ "); Rubber mallet.

NOTE: Numbers in diagrams and in parentheses () correspond to part numbers in the exploded views on p 4-11.

Step 1: Fasten the back leg tubes (44-014-487) to the back leg weldment with bolts (70062) and lock nuts (70861). Then, attach the back leg weldment to the stair frame weldment with $\frac{5}{16}$ in. hardware. Be sure to orient the back leg weldment as shown below (support tabs should face inwards).

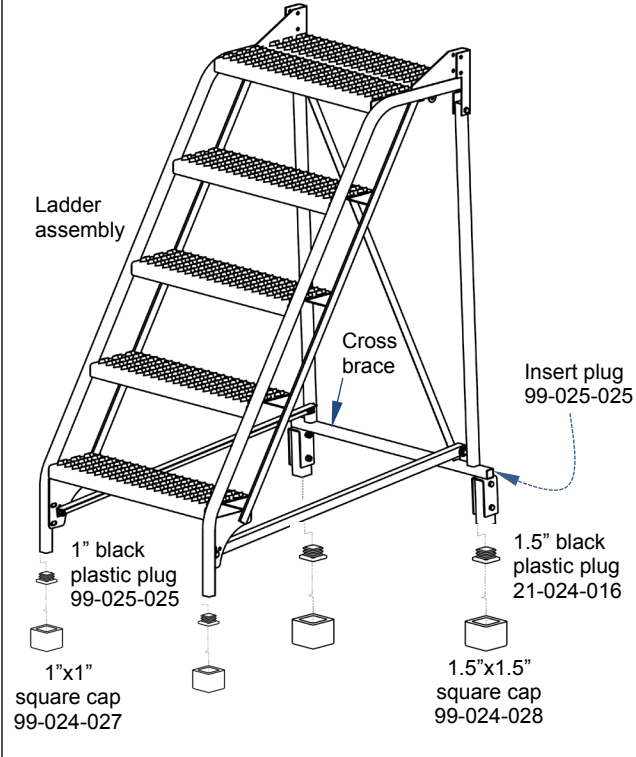


Step 2: Fasten the base supports to the slotted bolt holes in the support brackets and to the support tabs with $\frac{5}{16}$ "-18 hardware as shown. Do not tighten the connections.

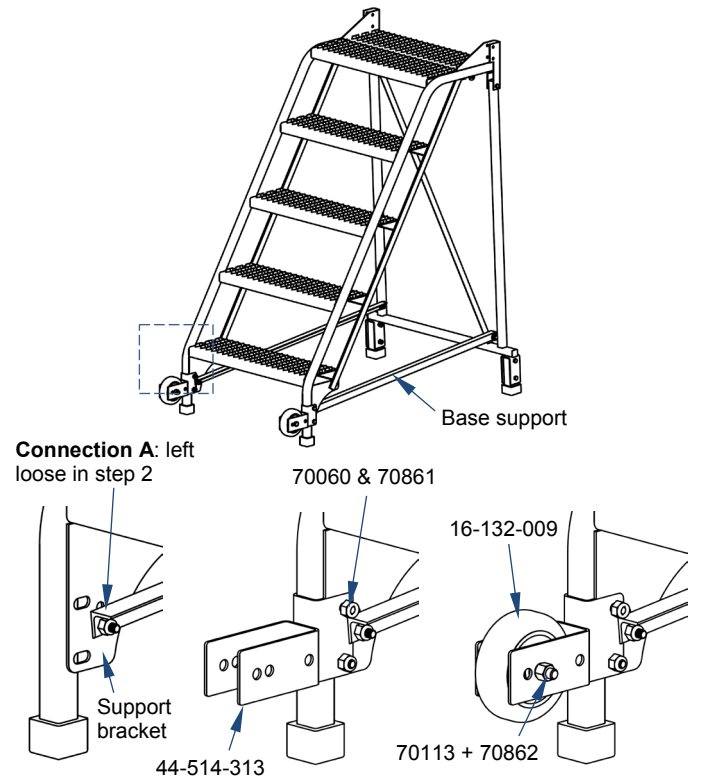


Step 3: Install the plugs, caps, and wheels.

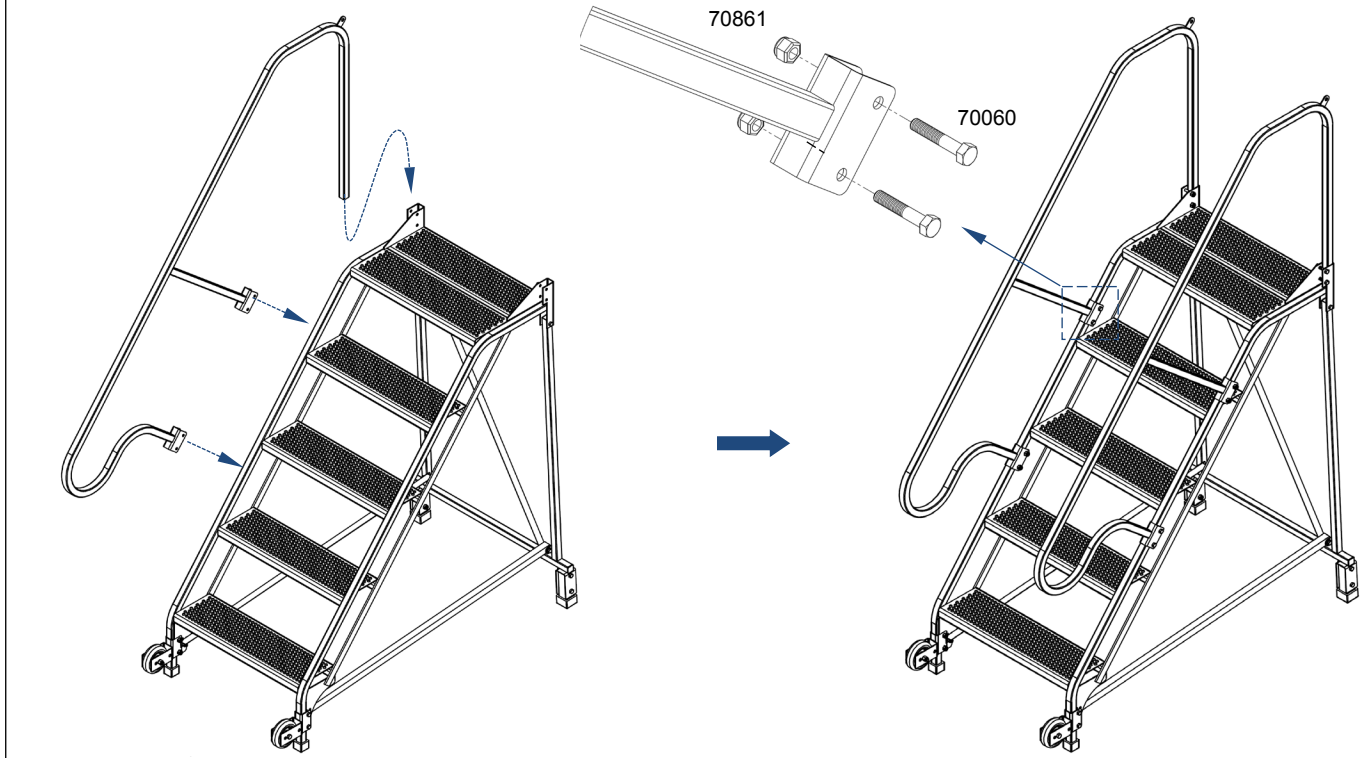
- a) Install the plastic plugs and square caps in the leg tubes. First, press the 1in. plastic plug into the leg tubes. Then, press the square caps over the plugs and onto the ends of the legs. If necessary, use a rubber mallet to gently tap the plugs and caps into place.
- b) Press a plug into each end of the cross brace.



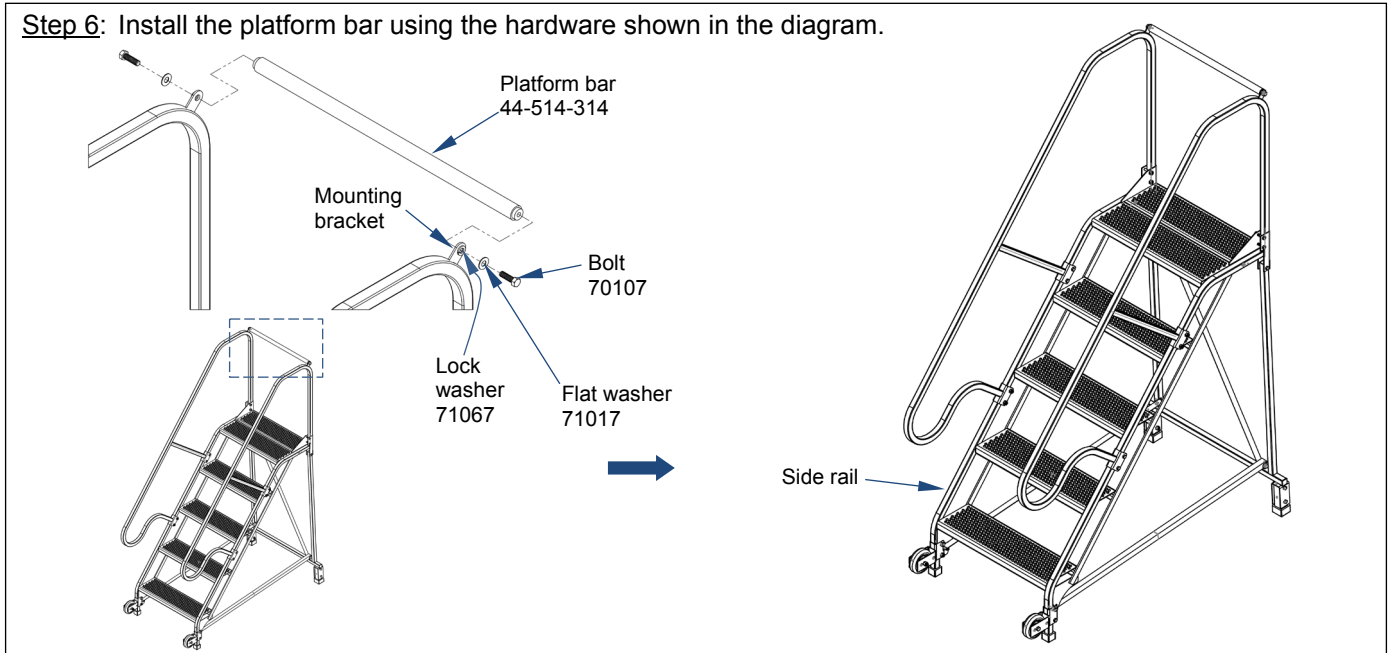
Step 4: Fasten the wheel brackets (44-514-313; "caster tilter frames" in exploded views) to the ladder assembly with $\frac{5}{16}$ "-18 x $1\frac{3}{4}$ " bolts (70060) and lock nuts (70861). The caster brackets fit *between* the base supports and support brackets (see step 2 on p. 12). Attach the wheels (16-132-009) to the wheel brackets using the hardware indicated. Tighten connection A.



Step 5: Attach the handrails.



Step 6: Install the platform bar using the hardware shown in the diagram.



RECORD OF SATISFACTORY CONDITION (THE "RECORD")

After assembling the ladder and before putting it into service, visually inspect the ladder. Record the condition and appearance of each of the frame members (step weldment, back leg weldment, base support frame members), the handrails, outriggers, wheels and/or casters, (leg) caps, back platform frame and chain, and all fasteners (bolts, nuts, etc.). Thoroughly photograph the ladder from multiple angles. Include close range photographs of the rubber leg caps, casters and wheels, all labeling, and all handrail connections. Add the photographs to the record. Collate all photographs and writings into a single file. This file is a record of the ladder in satisfactory condition. Compare the results of all inspections to this Record to determine whether the ladder is in satisfactory condition. Do not use the ladder unless it is in satisfactory condition. Purely cosmetic changes, like damaged paint or powdercoat, are not changes from satisfactory condition. However, touchup paint should be applied as soon as damage occurs.

NATIONAL STANDARDS

This product is a "mobile ladder stand" (MLS). [ANSI STANDARD A14.7](#) (the "Standard") applies to MLS's. You *should* acquire a copy of the latest version of the standard. Follow all use and maintenance/care instructions provided in the Standard as well as all other provisions for MLS owners and users. If any content in this manual conflicts with any mandatory provision(s) in the Standard, apply the provision(s) from the Standard. Vestil encourages you to immediately contact [TECHNICAL SERVICE](#) if you discover any inconsistencies.

USING THE LADDER

Review the [SAFETY INSTRUCTIONS](#) on p. 3 before using the ladder. Do not use in direct food contact applications.

Inspect the ladder before each use for damage, such as unusual wear, deterioration, or corrosion. Tighten loose nuts. If a lock nut has been partially or completely unfastened, it must be replaced with a new lock nut.

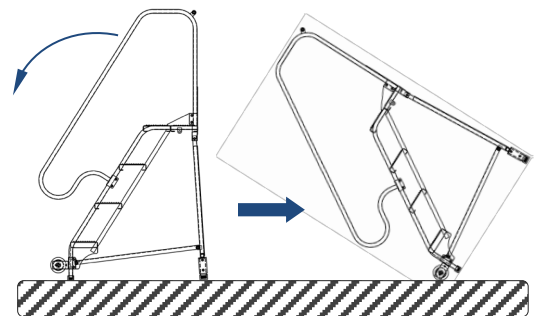
Make sure there are no children in the area where the ladder is used or stored.

Climbing the ladder:

ONLY use the ladder on even, level, improved surfaces (concrete or asphalt). Never use the ladder on angled surfaces. The ladder must not wobble or lean while in use. Only climb the ladder when the steps and handrails are clean and dry.

Stand on the bottom step and confirm that the caps solidly contact the ground. The rubber caps on the bottoms of the legs should prevent movement. Face the ladder and grasp the handrails while ascending and descending the steps. Do not lean against the handrails or the platform chain.

Before moving the ladder, completely empty the tool tray. Move the ladder by standing in front of it, grasping the handrails, and rotating the ladder towards you until both wheels contact the ground and are able to roll. Push the ladder to the desired location. Ladders with more steps are heavier and therefore require more effort to manipulate.



INSPECTIONS & MAINTENANCE

Inspect the unit as instructed. Inspections and all necessary repairs should be performed by qualified persons. Compare the results of each inspection to the **RECORD OF SATISFACTORY CONDITION**. Do not use the ladder unless every part is in satisfactory condition. If you have any questions about the condition of your ladder, contact the **TECHNICAL SERVICE** department. The phone number is provided on the cover page of this manual. Never make temporary repairs of damaged or missing parts. Only use manufacturer-approved replacement parts to restore the ladder to satisfactory condition.

Before each use, inspect the ladder for any sustained damage, such as unusual wear, deterioration, or corrosion. Look for loose connections. Tighten all loose connections. Whenever a lock nut is partially or completely unfastened, it must be replaced with a new lock nut. Check cotter pins at each end of the wheel axle, the wheels, and the square caps (99-024-027) for damage.

Regular inspections: At least once per month inspect the following items. Replace all parts that are damaged before using the ladder again. DO NOT continue to use the ladder if damage cannot be repaired.

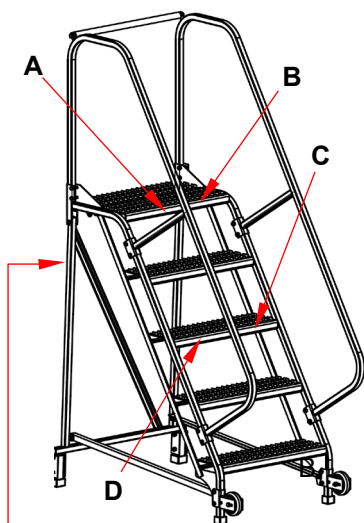
- Handrails and platform bar: Inspect both handrails. Confirm that they are solidly fastened to the steps. Each handrail should be rigid and undamaged. Examine the platform and platform bar. Confirm that the bar is securely fastened to the handrails. Tighten nuts and bolts, if necessary.
- Back leg weldment, wheel brackets (caster tilter frames in exploded views, pages 4-7) and wheels: Make sure that the back leg weldment is not bent, twisted, etc. Wheels must not be severely worn otherwise they will not roll smoothly. Examine the wheel brackets and hardware for damage. Tighten nuts and bolts.
- Frame members (step weldment, back leg weldment, braces, handrails) and all fasteners (bolts, nuts, pins): Inspect each frame member for damage like excessive wear, bends, and cracks. All frame pieces should be square, rigid, and free of rust and corrosion. Remove rust with steel wool or a metal bristle brush and apply touch-up paint to the affected area. Check the areas where frame members are bolted together. Check the areas around bolt holes for cracks, elongated bolt holes, etc.
- Square caps: Check the caps for cracks and excessive or uneven wear. If a cap requires replacement, install replacement caps before returning the ladder to service.

Maintenance: In addition to correcting issues discovered during inspections, maintain the ladder by

- Cleaning it with a damp cloth to remove dirt and grime, especially from step surfaces. Let the ladder dry completely before returning it to service. Clean
- Lubricating bolts when necessary for the wheels to rotate freely.
- Applying touchup paint wherever the finish is damaged as soon as damage occurs

LABELING DIAGRAM

Each unit should be labeled as shown in the diagram. Label content and location are subject to change so your product might not be labeled exactly as shown. Compare the diagram below to your **RECORD OF SATISFACTORY CONDITION**. If there are any differences between actual labeling and this diagram, contact **TECHNICAL SERVICE**. Replace all labels that are damaged, missing, or not easily readable (e.g. faded). To order replacement labels or to inquire whether your unit is properly labeled, contact the technical service and parts department online at http://www.vestilmfg.com/parts_info.htm or by calling (260) 665-7586 and asking for the Parts Department.



A: Label 740 (on nosing of a step or platform)

⚠ WARNING	⚠ ADVERTENCIA	⚠ AVERTISSEMENT
<ul style="list-style-type: none"> • Do not use near live electric lines • Do not climb rails or lean over rails • Do not use if damaged or worn • Use ladder on level, smooth surfaces only 	<ul style="list-style-type: none"> • No use cerca de líneas eléctricas • No se suba o se asome en la barandilla • No use si está dañado o gastado • Use la escalera en superficies a nivel y lisas 	<ul style="list-style-type: none"> • Ne pas utiliser près des lignes électriques sous tension • Ne pas grimper sur ou vous pencher des rails • Ne pas utiliser si endommagée ou usagée • Utiliser l'échelle seulement sur des surfaces plates et lisses

B: Label 729A (on nosing of a step)



C: Label 287 (on nosing of a step)

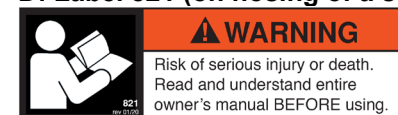
MODEL/MODÉLO/MODÈLE _____
STATIC CAPACITY (evenly distributed) _____ lbs.
LA CAPACIDAD CONSTANTE (distribuida uniformemente) _____ kgs.
CAPACITÉ STATIQUE (distribuée régulièrement) _____ kgs.
SERIAL/SERIE/SÉRIE _____

287 REV 0812

NOTE 1: Label locations might vary from the diagram for ladders with fewer steps. Include label locations in the **RECORD OF SATISFACTORY CONDITION**.

NOTE 2: Attach a protected copy of this manual to the ladder to provide access to this manual to all persons who use the ladder. For example, a copy of the manual can be placed inside a transparent plastic pouch or folder that is tied to the ladder frame. An appropriate place to tie the folder is the rear frame.

D: Label 821 (on nosing of a step)



LIMITED WARRANTY

Vestil Manufacturing Corporation (“Vestil”) warrants this product to be free of defects in material and workmanship during the warranty period. Our warranty obligation is to provide a replacement for a defective, original part covered by the warranty after we receive a proper request from the Warrantee (you) for warranty service.

Who may request service?

Only a warrantee may request service. You are a warrantee if you purchased the product from Vestil or from an authorized distributor AND Vestil has been fully paid.

Definition of “original part”?

An original part is a part used to make the product as shipped to the Warrantee.

What is a “proper request”?

A request for warranty service is proper if Vestil receives: 1) a photocopy of the Customer Invoice that displays the shipping date; AND 2) a written request for warranty service including your name and phone number. Send requests by one of the following methods:

US Mail	Fax	Email
Vestil Manufacturing Corporation 2999 North Wayne Street, PO Box 507 Angola, IN 46703	(260) 665-1339 Phone (260) 665-7586	info@vestil.com Enter “Warranty service request” in subject field.

In the written request, list the parts believed to be defective and include the address where replacements should be delivered. After Vestil receives your request for warranty service, an authorized representative will contact you to determine whether your claim is covered by the warranty. Before providing warranty service, Vestil will require you to send the entire product, or just the defective part (or parts), to its facility in Angola, IN.

What is covered under the warranty?

The warranty covers defects in the following original, dynamic parts: motors, hydraulic pumps, motor controllers, and cylinders. It also covers defects in original parts that wear under normal usage conditions (“wearing parts”), such as bearings, hoses, wheels, seals, brushes, and batteries.

How long is the warranty period?

The warranty period for original dynamic components is 90 days. For wearing parts, the warranty period is 90 days. Both warranty periods begin on the date Vestil ships the product to the Warrantee. If the product was purchased from an authorized distributor, the periods begin when the distributor ships the product. Vestil may, at its sole discretion, extend a warranty period for products shipped from authorized distributors by up to 30 days to account for shipping time.

If a defective part is covered by the warranty, what will Vestil do to correct the problem?

Vestil will provide an appropriate replacement for any *covered* part. An authorized representative of Vestil will contact you to discuss your claim.

What is not covered by the warranty?

The Warrantee (you) is responsible for paying labor costs and freight costs to return the product to Vestil for warranty service.

Events that automatically void this Limited Warranty:

- Misuse;
- Negligent assembly, installation, operation or repair;
- Installation/use in corrosive environments;
- Inadequate or improper maintenance;
- Damage sustained during shipping;
- Collisions or other accidents that damage the product;
- Unauthorized modifications: Do not modify the product IN ANY WAY without first receiving written authorization from Vestil.

Do any other warranties apply to the product?

Vestil Manufacturing Corp. makes no other express warranties. All implied warranties are disclaimed to the extent allowed by law. Any implied warranty not disclaimed is limited in scope to the terms of this Limited Warranty. Vestil makes no warranty or representation that this product complies with any state or local design, performance, or safety code or standard. Noncompliance with any such code or standard is not a defect in material or workmanship.

