



**VESTIL MANUFACTURING CORP.**

2999 North Wayne Street, P.O. Box 507, Angola, IN 46703  
 Telephone: (260) 665-7586 -or- Toll Free (800) 348-0868  
 Fax: (260) 665-1339  
**www.vestilmfg.com** e-mail: [sales@vestil.com](mailto:sales@vestil.com)

# LSC-3052-PCW LANDSCAPE CART

## ASSEMBLY INSTRUCTIONS



Receiving instructions:

After delivery, immediately remove the packaging from the product in a manner that preserves the packaging and maintains the orientation of the product in the packaging; then inspect the product closely to determine whether it sustained damage during transport. If damage is discovered during the inspection, immediately record a complete description of the damage on the bill of lading. If the product is undamaged, discard the packaging.

NOTES:

- 1) Compliance with laws, regulations, codes, and non-voluntary standards enforced in the location where the product is *used* is exclusively the responsibility of the owner/end-user.
- 2) Vestil is not liable for any injury or property damage that occurs as a consequence of failing to apply either:
  - a) Instructions in this manual; or
  - b) Information provided on labels affixed to the product. Neither is Vestil responsible for *any* consequential damages sustained as a result of failing to exercise sound judgment while assembling, installing, using or maintaining this product.

**Table of Contents**

Hazard identification: explanation of signal words.....	2
Product Specifications by Model.....	2
Safety Guidelines.....	2
Components.....	3
Assembly instructions.....	4 - 7
Limited warranty.....	8

## Hazard Identification--Explanation of SIGNAL WORDS

This manual uses SIGNAL WORDS to indicate the likelihood of personal injuries, as well as the probable seriousness of those injuries, if the product is misused in the ways described. Other signal words call attention to uses of the product likely to cause property damage. The signal words appear below along with the meaning of each word:



Identifies a hazardous situation which, if not avoided, WILL result in DEATH or SERIOUS INJURY. Use of this signal word is limited to the most extreme situations.



Identifies a hazardous situation which, if not avoided, COULD result in DEATH or SERIOUS INJURY.



Indicates a hazardous situation which, if not avoided, COULD result in MINOR or MODERATE injury.



Identifies practices likely to result in product/property damage, such as operation that might damage the product.

Each person who assembles, installs, uses, or maintains this product should read the entire manual in advance and fully understand the directions. If after reading the manual you do not understand an instruction, ask your supervisor or employer for clarification, because failure to adhere to the directions in this manual might result in serious personal injury.

## Product Specifications:

Model	Description	Deck Dimensions	Height of Sides	Deck Elevation	Uniform Static Capacity	Wheel dimensions	Net Weight
LSC-2448-4SD	Fold-down sides	24in. x 48in. (61cm x 122cm)	12in. (30½in.)	28¾in. (72in.)	1,000 pounds (454.5kg)	13in. x 4¾in. (33cm x 12cm)	95 lb. 43.2kg
LSC-2448-TC	Low profile tilting cart	24in. x 48in. (61cm x 122cm)	1in. (2.5cm)	3in. (7.6cm)	500 pounds (227.3cm)	16in. x 4in. (40.6cm x 10cm)	58 lb. (26.4kg)
LSC-2448-PT	Platform cart	24in. x 48in. (61cm x 122cm)	½in. (1.3cm)	12¾in. (32.4cm)	500 pounds (227.3cm)	10in. 3½in. (25cm x 9cm)	55 lb. (25kg)
LSC-2448-SC	Double decker cart	24in. x 48in. (61cm x 122cm)	1¾in. (4.4cm)	33in. (84cm)	300 pounds (136.4cm)	10 x 3½in. (25cm x 9cm)	98 lb. (44.5kg)
LSC-3052-PCW	Composite crate cart	30in. x 46¾in. (76cm x 117½cm)	14in. (35½cm)	42in. (107cm)	1,000 pounds (454.5kg)	13in. 5in. (33cm x 13cm)	64 lb. (29.1kg)

## Safety Guidelines:

Vestil diligently strives to identify foreseeable hazards associated with the use of its products. However, material handling is inherently dangerous and no manual can address every conceivable risk. The end-user is responsible for exercising sound judgment at all times.



**Failure to read and understand the entire manual before assembling, using or servicing the cart is a misuse of the product.** If this product is used improperly or carelessly, the user and/or bystanders might sustain serious personal injuries. To reduce the likelihood of injury:

- DO NOT modify the product in any way UNLESS you first obtain written approval from Vestil. Unauthorized modifications **automatically void the Limited Warranty (p. 7) and might make the product unsafe to use.**
- DO NOT attempt to carry or transport loads that exceed the capacity of the cart. Secure loads to the deck. Always center and evenly distribute all loads placed on the cart.
- DO NOT stand, sit or ride on the cart.
- Always watch the load carefully while the cart is moving.
- Always control the cart from the uphill side while moving up or down slopes.



Proper use, maintenance, and storage are essential for this product to function properly.

- Regularly check all fasteners. Tighten loose nuts and lubricate pivot points as necessary.
- Check tire inflation. Air pressure should equal the recommended inflation pressure that appears on the sidewalls of the tires.

Are you missing this whole kit?



**Components:**

Item	Quantity	Item	Quantity
A	1	J	6
B	2	K	1
C	4	L	1
D	4	M	4
E	8	N	1
F	4	P	1
G	2	Q	1
H	1		

**A:** Molded plastic handle coupler

**B:** M13 x 18mm hex head shoulder bolt; M6 flat

**C:** M13 flat washers

**D:** M18 hex lock nuts

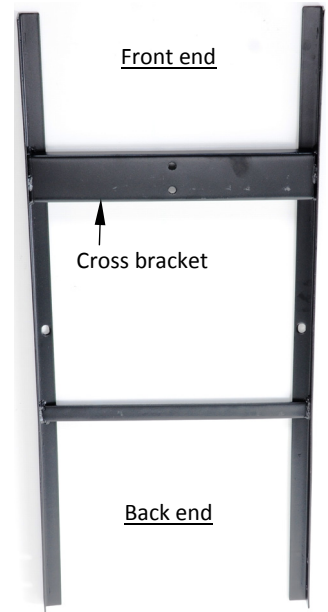
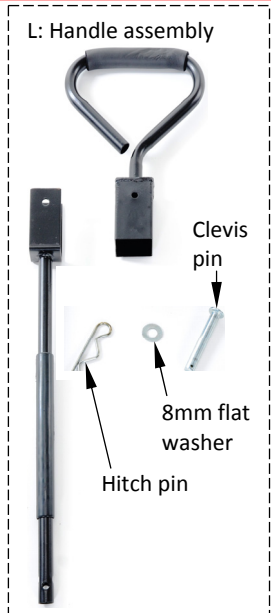
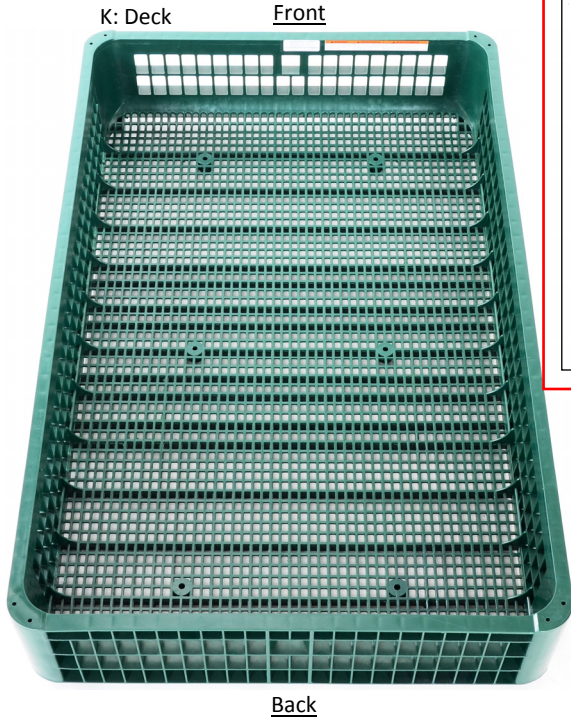
**E:** M10 x 18mm bolts & M10 hex nuts

**F:** Wheel spacers

**G:** M15 x 18mm round head bolt & M13 hex lock nuts

**H:** M12 x 60mm bolt (fastens handle to coupler); M8 lock nut; M10 flat washer

**J:** M15 x 45mm hex bolts; M8 flat washers; & M13 hex lock nuts

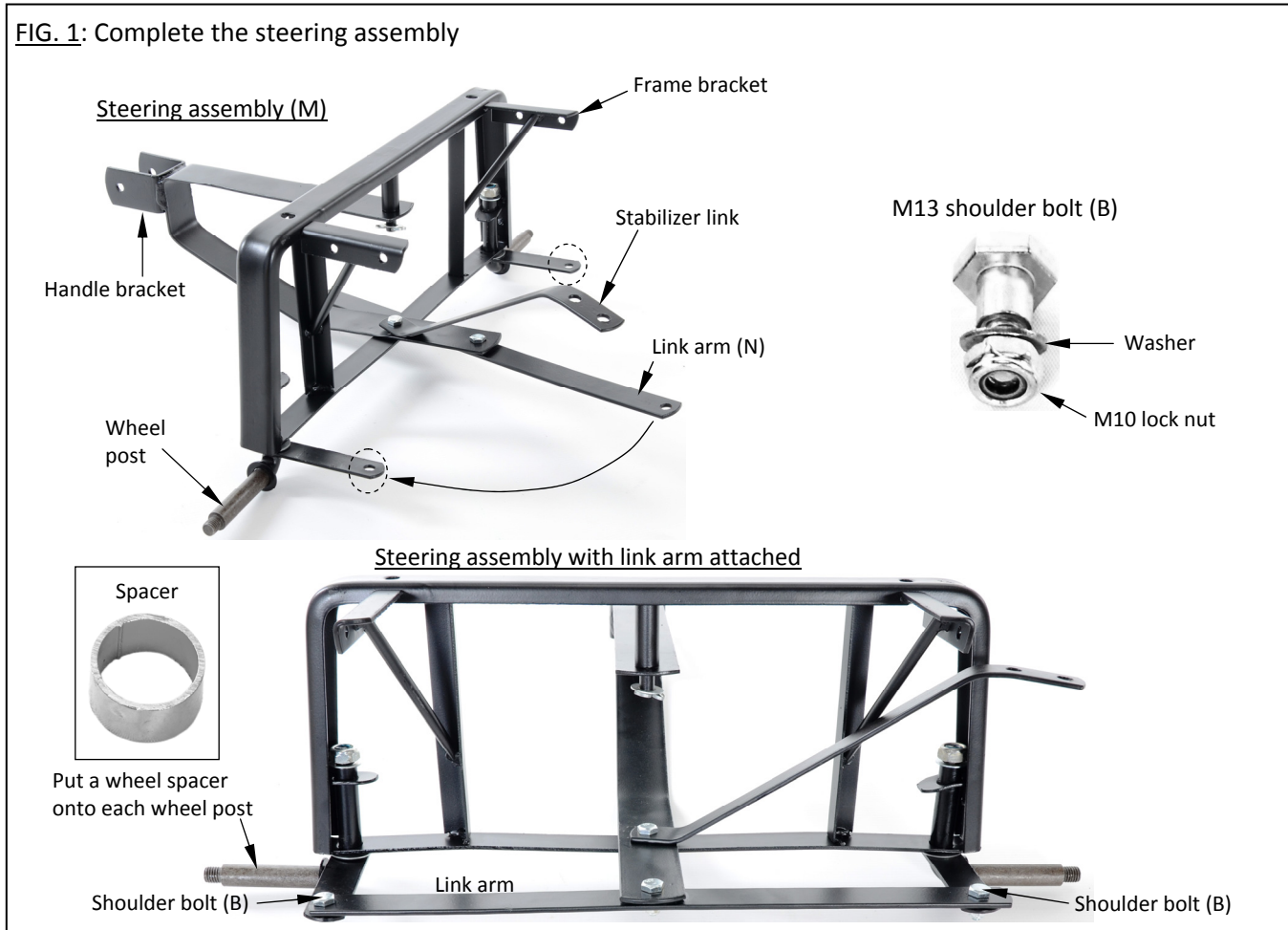


Q: Undercarriage frame

**Assembly instructions:**

**1. Assemble the steering mechanism:**

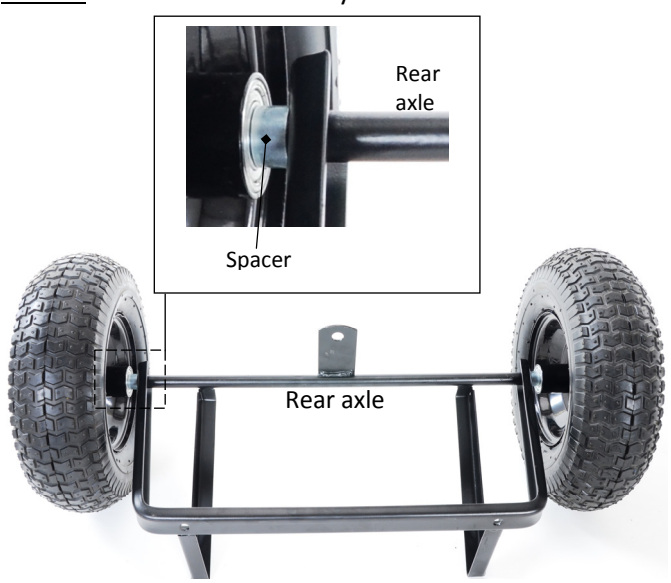
Attach the ends of the steering link arm (N) to the steering assembly (M) with 2 shoulder bolts (B) and corresponding washers and hex nuts at the circled locations shown in FIG. 1.



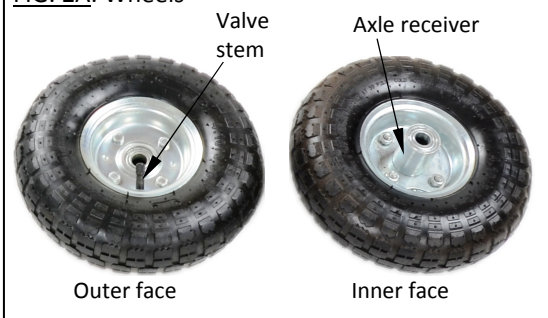
**2. Put a spacer (F) onto each wheel post of the steering assembly (refer to FIG. 1 above); then slide the axle receivers of two wheels (see FIG. 2A below) onto the wheel posts. Secure the wheels in place with flat washers (C) and lock nuts (D) (connection shown in FIG. 3E on p. 5).**

**3. Attach wheels to the rear axle weldment (P).** Slide the axle receivers of the two remaining wheels onto each end of the rear axle (see FIG. 2B). Be sure to orient the wheels such that the valve stems are on the outer sides of the wheels (see FIG. 2A).

**FIG. 2B: Rear wheel assembly**

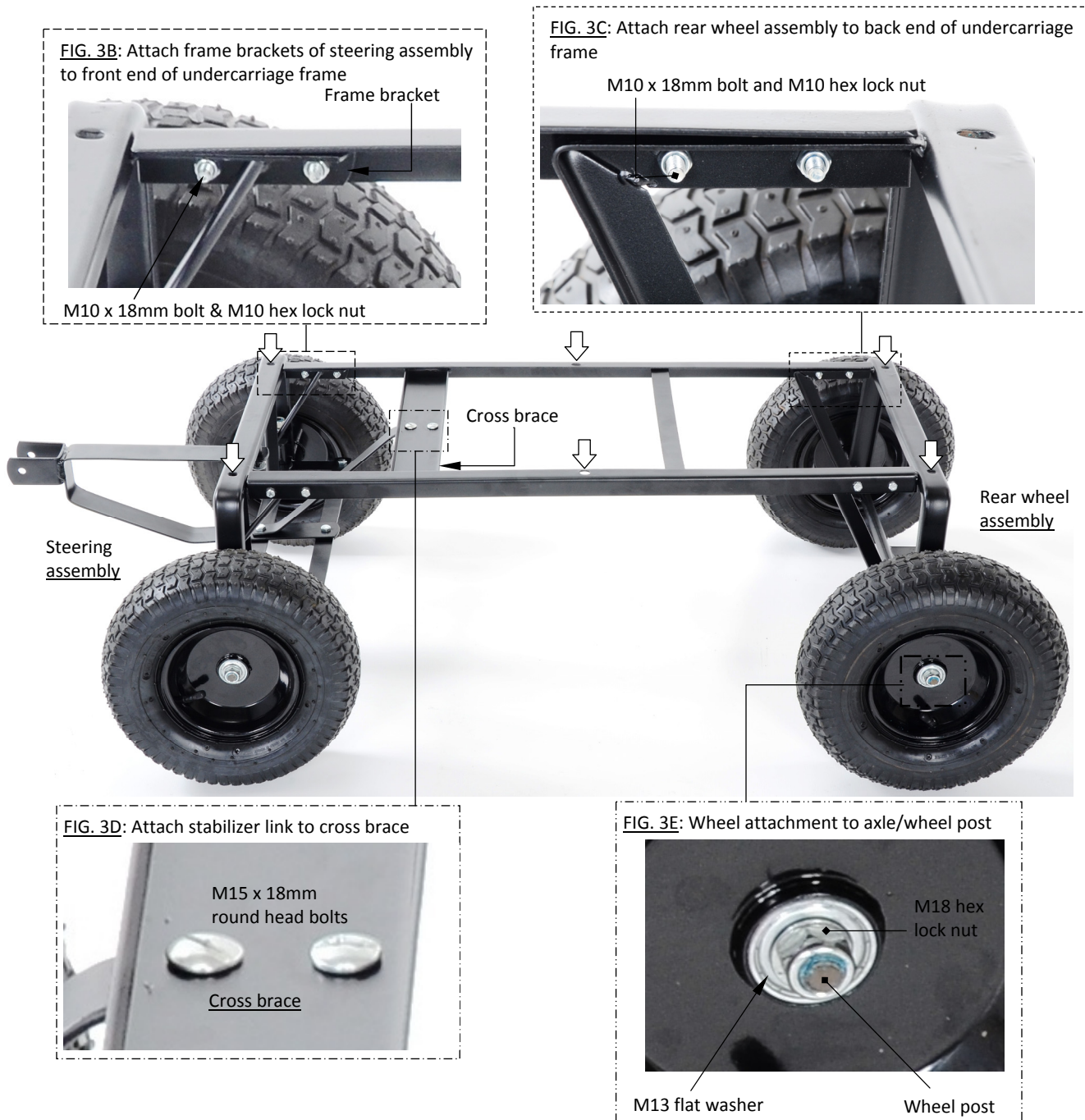


**FIG. 2A: Wheels**



4. Fasten the steering assembly to the undercarriage frame (Q).
  - a. Align the bolt holes in the frame brackets of the steering assembly (see FIG. 1 on p. 4) with the bolt holes in the front end of the undercarriage frame. Insert M10 x 18mm bolts through the holes and secure them with M10 hex nuts as shown in FIG. 3A below.
  - b. Fasten the stabilizer link to the cross brace of the undercarriage frame using M15 x 18mm round head bolts and M13 lock nuts.

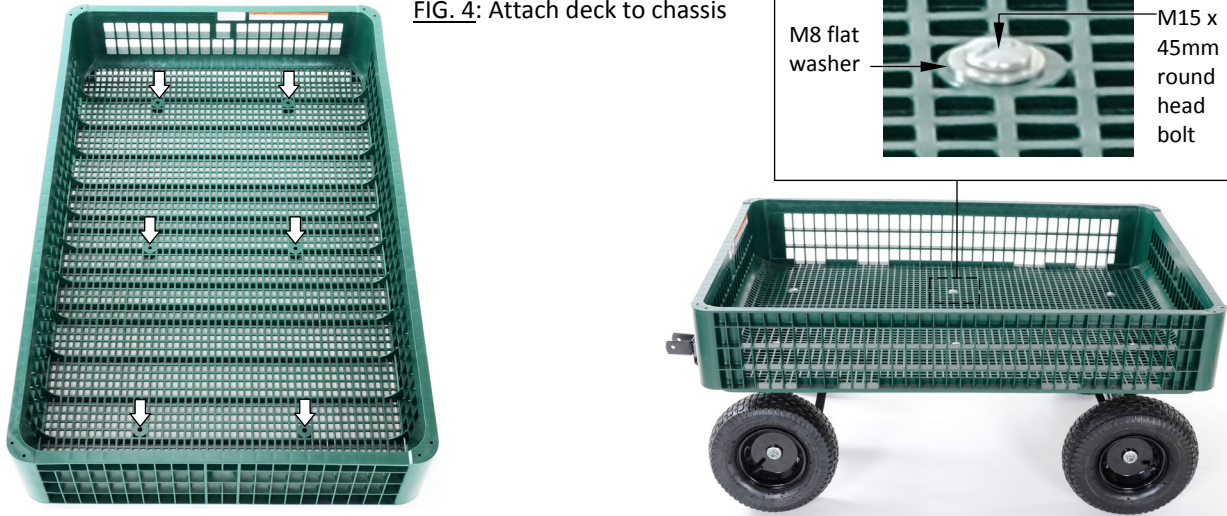
**FIG. 3A:** Attach steering assembly (M) and rear wheel assembly to undercarriage frame



5. Attach the rear wheel assembly to the undercarriage frame with M10 x 18mm bolts and M10 hex lock nuts as shown above.

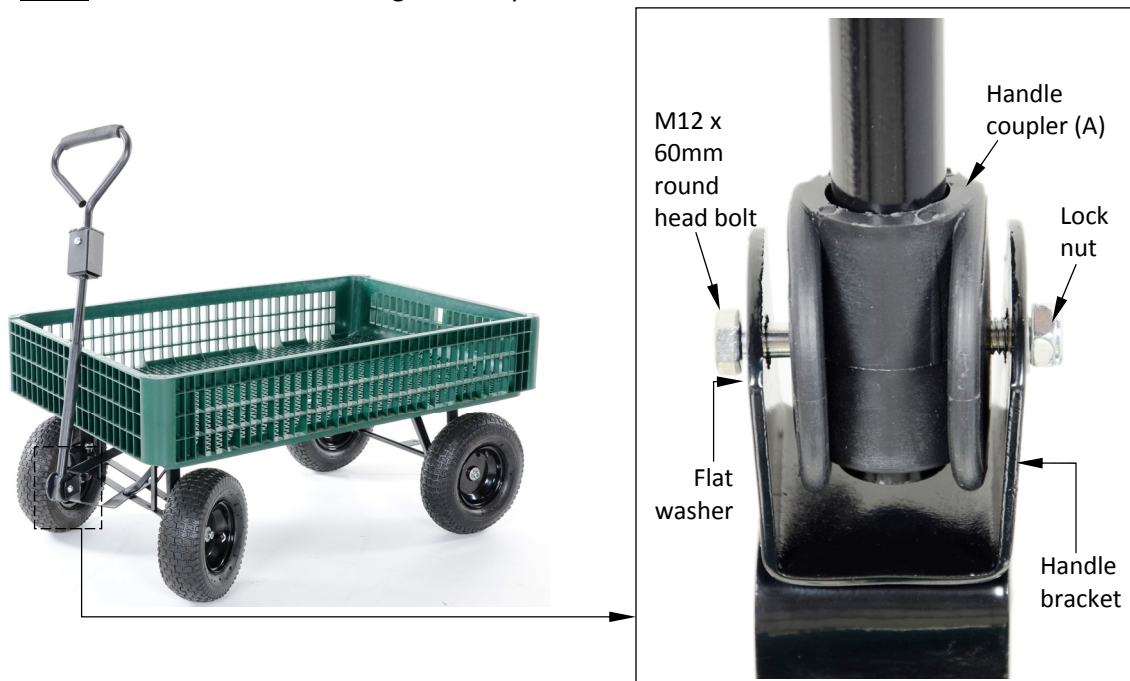
6. Attach the deck (K) to the undercarriage frame using the M15 x 45mm round head bolts, M8 washers and M13 lock nuts (J). Notice that there are 6 bolt channels through the base of the deck.
- Orient the front of the deck (labels are applied to the front end) above the steering assembly;
  - Align the bolt channels in the deck (marked by block arrows "↓" below) with the bolt holes in the frame (also marked with block arrows in FIG. 3A on p. 5)
  - Slide an M8 washer onto each M15 bolt and then insert the bolts through the deck and frame, and secure them in place with the lock nuts.

FIG. 4: Attach deck to chassis



7. Attach the handle to the steering assembly (refer to FIG. 5 below).
- Slide the end of the handle into the handle coupler (A) and align the bolt holes in the handle with the bolt holes in the coupler; then
  - Slide the M12 x 6mm round head bolt (H) through one side of the handle bracket (also identified in FIG. 3 on p. 5), through the coupler and handle, and through the other side of the bracket;
  - Secure the handle bolt with a flat washer and lock nut.

FIG. 5: Attach handle to steering assembly



8. Multiple carts can be hitched together by removing the formed end of the handle and connecting the handle shaft to the receiver of another cart.

- a) To remove the formed end of the handle, first pull the hitch pin out of the clevis pin; then remove the washer and clevis pin.
- b) Align the pinhole in the hitch bracket of the handle with the pinhole in the receiver of the second cart; then install the clevis pin and secure it in place with the flat washer and hitch pin. (See FIG. 6 below).

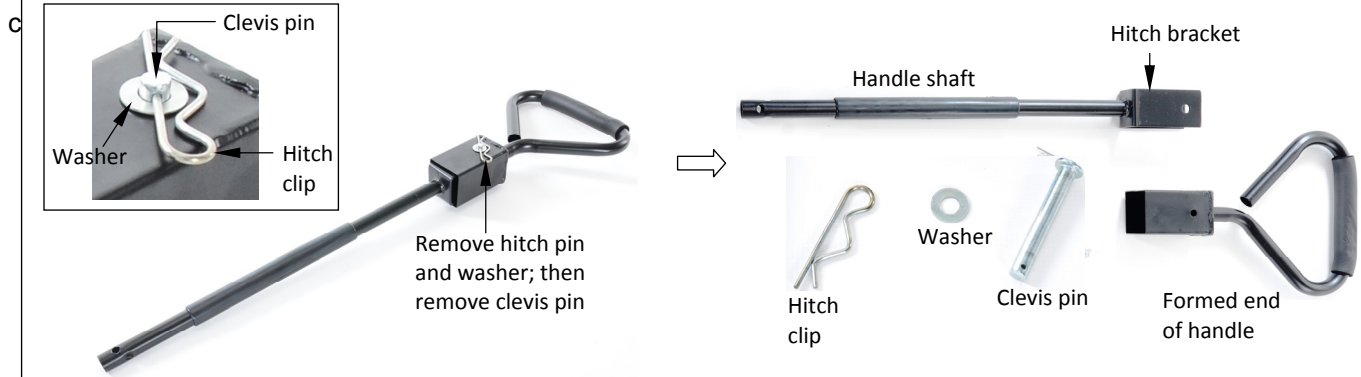
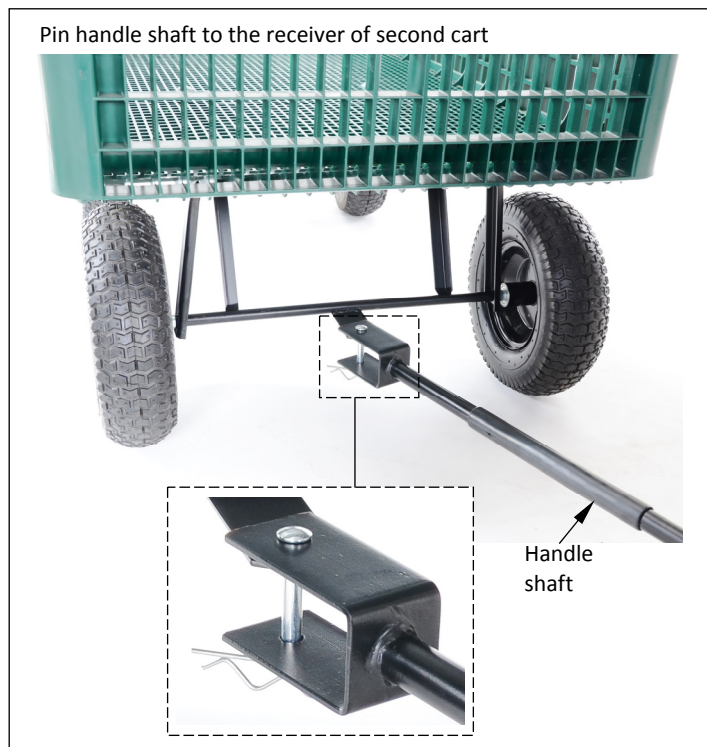


FIG. 6: Connecting two carts with handle



## LIMITED WARRANTY

Vestil Manufacturing Corporation (“Vestil”) warrants this product to be free of defects in material and workmanship during the warranty period. *Our warranty obligation is to provide a replacement for a defective original part if the part is covered by the warranty, after we receive a proper request from the warrantee (you) for warranty service.*

### Who may request service?

Only a warrantee may request service. *You are a warrantee if* you purchased the product from Vestil or from an authorized distributor AND Vestil has been fully paid.

### What is an “original part”?

An original part is a part used to make the product as shipped to the warrantee.

### What is a “proper request”?

A request for warranty service is proper if Vestil receives: 1) a photocopy of the Customer Invoice that displays the shipping date; AND 2) a written request for warranty service including your name and phone number. Send requests by any of the following methods:

Mail  
Vestil Manufacturing Corporation  
2999 North Wayne Street, PO Box 507  
Angola, IN 46703

Fax  
(260) 665-1339  
Phone  
(260) 665-7586

Email  
sales@vestil.com

In the written request, list the parts believed to be defective and include the address where replacements should be delivered.

### What is covered under the warranty?

After Vestil receives your request for warranty service, an authorized representative will contact you to determine whether your claim is covered by the warranty. Before providing warranty service, Vestil may require you to send the entire product, or just the defective part or parts, to its facility in Angola, IN. The warranty covers defects in the following *original* dynamic components: motors, hydraulic pumps, electronic controllers, switches and cylinders. It also covers defects in *original* parts that wear under normal usage conditions (“wearing parts”): bearings, hoses, wheels, seals, brushes, batteries, and the battery charger.

### How long is the warranty period?

The warranty period for original components is 30 days. The warranty period begins on the date when Vestil ships the product to the warrantee. If the product was purchased from an authorized distributor, the period begins when the distributor ships the product. Vestil may extend the warranty period for products shipped from authorized distributors by *up to* 30 days to account for shipping time.

### If a defective part is covered by the warranty, what will Vestil do to correct the problem?

Vestil will provide an appropriate replacement for any *covered* part. An authorized representative of Vestil will contact you to discuss your claim.

### What is not covered by the warranty?

1. Labor;
2. Freight;
3. Occurrence of any of the following, which automatically voids the warranty:
  - Product misuse;
  - Negligent operation or repair;
  - Corrosion or use in corrosive environments;
  - Inadequate or improper maintenance;
  - Damage sustained during shipping;
  - Collisions or other incidental contacts causing damage to the product;
  - Unauthorized modifications: DO NOT modify the product IN ANY WAY without first receiving written authorization from Vestil. Modification(s) might make the product unsafe to use or might cause excessive and/or abnormal wear.

### Do any other warranties apply to the product?

Vestil Manufacturing Corp. makes no other express warranties. All implied warranties are disclaimed to the extent allowed by law. Any implied warranty not disclaimed is limited in scope to the terms of this Limited Warranty.

