

MPLA

⚠️ WARNING	⚠️ ADVERTENCIA	⚠️ AVERTISSEMENT
KEEP CLEAR WHEN IN USE	MANTENGASE ALEJADO CUANDO SE ESTA OPERANDO	SE TENIR À DISTANCE LORS DU FONCTIONNEMENT
<small>220 Rev 08/03</small>		

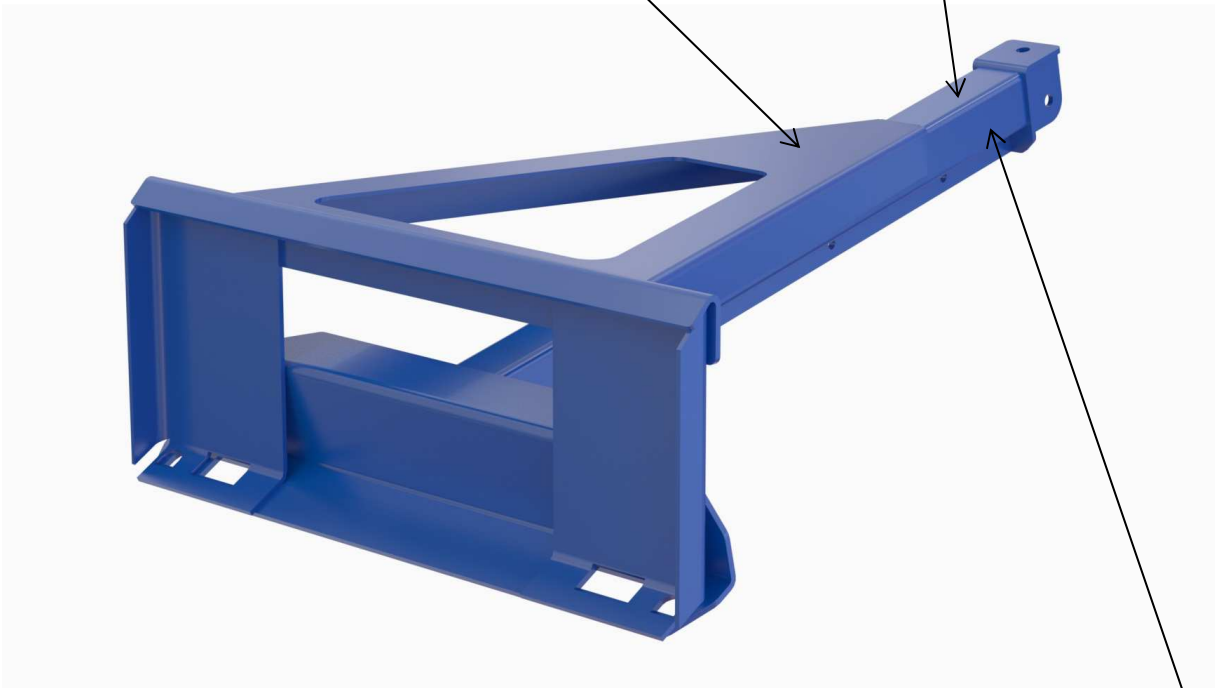
220



⚠️ WARNING

Risk of serious injury or death.
Read and understand entire owner's manual BEFORE using.

821



MODEL/MODÉLO/MODÈLE _____
 STATIC CAPACITY (evenly distributed) _____ lbs.
 LA CAPACIDAD CONSTANTE (distribuida uniformemente) _____ kgs.
 CAPACITÉ STATIQUE (distribuée régulièrement) _____ kgs.
 SERIAL/SERIE/SÉRIE _____ 287 Rev 08/12

287

Label 1072 is to be applied to the outside of individual packaging

⚠️ WARNING: Reproductive Harm - www.P65Warnings.ca.gov.	⚠️ ADVERTENCIA: Daño Reproductivo - www.P65Warnings.ca.gov.	<small>1072</small>
⚠️ WARNING: Cancer - www.P65Warnings.ca.gov.	⚠️ ADVERTENCIA: Cáncer - www.P65Warnings.ca.gov.	