



Vestil Manufacturing Corp.
 2999 North Wayne Street, P.O. Box 507, Angola, IN 46703
 Telephone: (260) 665-7586 -or- Toll Free (800) 348-0868
 Fax: (260) 665-1339
 Web: www.vestilmfg.com e-mail: info@vestil.com

MPSR-Series Magnetic Sweepers (Models MPSR-24, MPSR-24-B, & MFSR-36-B)



Receiving instructions:

After delivery, remove the packaging from the product. Inspect the product closely to determine whether it sustained damage during transport. If damage is discovered, immediately record a complete description of the damage on the bill of lading. If the product is undamaged, discard the packaging.

Note:

The end-user is solely responsible for confirming that product design complies with all laws, regulations, codes, and mandatory standards applied where the product is used.

Table of Contents

Signal Words.....	2
Safety Guidelines.....	2
Exploded Parts Diagram.....	2
Assembly.....	3
Using the Sweeper.....	3
Limited Warranty.....	4

Signal Words:

This manual uses SIGNAL WORDS to indicate the likelihood of personal injuries, as well as the probable seriousness of those injuries, if the product is misused in the ways described. The signal words used in this manual appear below along with their definitions.



Identifies a hazardous situation which, if not avoided, **WILL** result in DEATH or SERIOUS INJURY. Use of this signal word is limited to the most extreme situations.



Identifies a hazardous situation which, if not avoided, **COULD** result in DEATH or SERIOUS INJURY.



Indicates a hazardous situation which, if not avoided, **COULD** result in MINOR or MODERATE injury.



Identifies practices likely to result in product/property damage, such as operation that might damage the product.

Safety Guidelines:

Vestil strives to identify the foreseeable hazards of using its products, but no manual can address every conceivable risk.



If this product is used improperly or carelessly, the operator and/or bystanders might sustain serious personal injuries or could even be killed. To reduce the likelihood of injury:

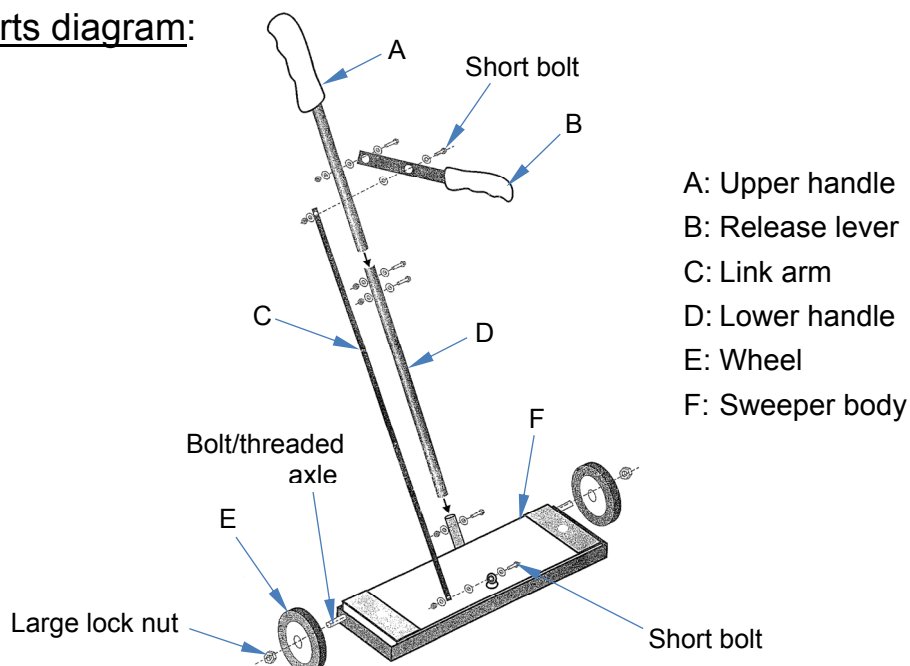
- **Failure to read and understand the entire manual before assembling, installing, using or servicing the product is a misuse of the product.**
- DO NOT use this sweeper around items that can be damaged by magnetic fields, e.g. computer, credit cards, pacemakers, hearing aids, mechanical watches.
- DO NOT modify the product in any way UNLESS you first obtain written approval from Vestil. Unauthorized modifications automatically void the Limited Warranty (p. 4) and might make the product unsafe to use.
- Inspect the product before each use. Confirm that the handle segments are securely fastened together. Lift the magnet handle to confirm normal movement.
- DO NOT use this device UNLESS all product labels are readable and undamaged.



Proper use, maintenance, and storage are essential for this product to function properly.

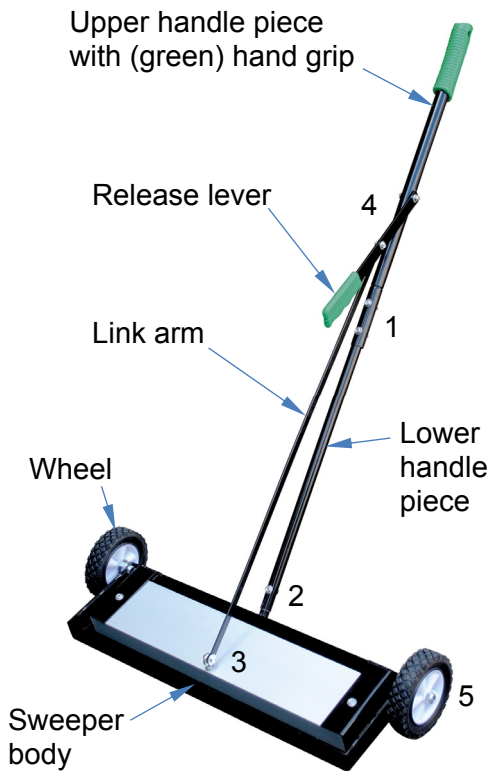
- Always use this product in accordance with the instructions in this manual.
- Keep the product clean & dry.

Exploded parts diagram:



Assembly:

Follow the steps in numerical as diagrammed and described. The hardware kit provided with the sweeper includes bolts of 2 lengths. Longer bolts are referred to in the instructions as “long” bolts; the shorter bolts are called “short” bolts.



1. Connect the upper and lower handle sections by sliding the upper handle onto the lower handle. Align the (2) bolt holes in the upper and lower handles. Insert bolts with flat washers already on them through the bolt holes. Apply another washer and a lock nut to secure each bolt.

2. Attach the lower handle piece to handle stud on the sweeper body. Align the bolt holes, slide a washer onto a bolt, and install the bolt. Secure the bolt on the other side with another washer and a lock nut.

3. Attach one end of the link arm to the eye bolt on top of the sweeper body. Slide a washer onto a short bolt. Install the bolt through the bolt hole in the link arm. Put another washer on the end of the bolt; then insert it through the eye. Secure the bolt with another washer and a lock nut.

5. Install the wheels on the threaded axles. Secure the connections with large lock nuts.

4a. Attach the link arm to the upper handle. slide a washer onto a long bolt and insert the bolt through the hole in the end of the release lever. Put another washer onto the bolt and insert it through the upper handle. Secure the bolt on the other side with another washer and a lock nut.

4b. Attach the release lever to the top of the link arm. Put a washer on a short bolt; insert the bolt through the link arm. Apply another washer; then insert the bolt through the release lever. Secure the bolt with another washer & lock nut.

Using the sweeper:

To collect magnetic materials, simply grasp the hand grip and roll the sweeper over the selected area. Move the sweeper to the desired location and disengage the magnet by pulling the release lever up. To facilitate easy cleanup, move the sweeper to a collection point before releasing the magnet. For instance, put a piece of cardboard on the floor, move the sweeper over the cardboard, and release the magnet. All of the items can then be quickly picked up and moved or poured into a container.



LIMITED WARRANTY

Vestil Manufacturing Corporation (“Vestil”) warrants this product to be free of defects in material and workmanship during the warranty period. *Our warranty obligation is to provide a replacement for a defective original part if the part is covered by the warranty, after we receive a proper request from the warrantee (you) for warranty service.*

Who may request service?

Only a warrantee may request service. *You are a warrantee if you purchased the product from Vestil or from an authorized distributor AND Vestil has been fully paid.*

What is an “original part”?

An original part is a part used to make the product as shipped to the warrantee.

What is a “proper request”?

A request for warranty service is proper if Vestil receives: 1) a photocopy of the Customer Invoice that displays the shipping date; AND 2) a written request for warranty service including your name and phone number. Send requests by any of the following methods:

Mail
Vestil Manufacturing Corporation
2999 North Wayne Street, PO Box 507
Angola, IN 46703

Fax
(260) 665-1339
Phone
(260) 665-7586

Email
sales@vestil.com

In the written request, list the parts believed to be defective and include the address where replacements should be delivered.

What is covered under the warranty?

After Vestil receives your request for warranty service, an authorized representative will contact you to determine whether your claim is covered by the warranty. Before providing warranty service, Vestil may require you to send the entire product, or just the defective part or parts, to its facility in Angola, IN. The warranty covers defects in the following *original* dynamic components: motors, hydraulic pumps, electronic controllers, switches and cylinders. It also covers defects in *original* parts that wear under normal usage conditions (“wearing parts”): bearings, hoses, wheels, seals, brushes, batteries, and the battery charger.

How long is the warranty period?

The warranty period for original components is 15 DAYS. The warranty period begins on the date when Vestil ships the product to the warrantee. If the product was purchased from an authorized distributor, the period begins when the distributor ships the product. Vestil may extend the warranty period for products shipped from authorized distributors by *up to* 30 days to account for shipping time.

If a defective part is covered by the warranty, what will Vestil do to correct the problem?

Vestil will provide an appropriate replacement for any *covered* part. An authorized representative of Vestil will contact you to discuss your claim.

What is not covered by the warranty?

1. Labor;
2. Freight;
3. Occurrence of any of the following, which automatically voids the warranty:
 - Product misuse;
 - Negligent operation or repair;
 - Corrosion or use in corrosive environments;
 - Inadequate or improper maintenance;
 - Damage sustained during shipping;
 - Collisions or other incidental contacts causing damage to the product;
 - Unauthorized modifications: DO NOT modify the product IN ANY WAY without first receiving written authorization from Vestil. Modification(s) might make the product unsafe to use or might cause excessive and/or abnormal wear.

Do any other warranties apply to the product?

Vestil Manufacturing Corp. makes no other express warranties. All implied warranties are disclaimed to the extent allowed by law. Any implied warranty not disclaimed is limited in scope to the terms of this Limited Warranty.

