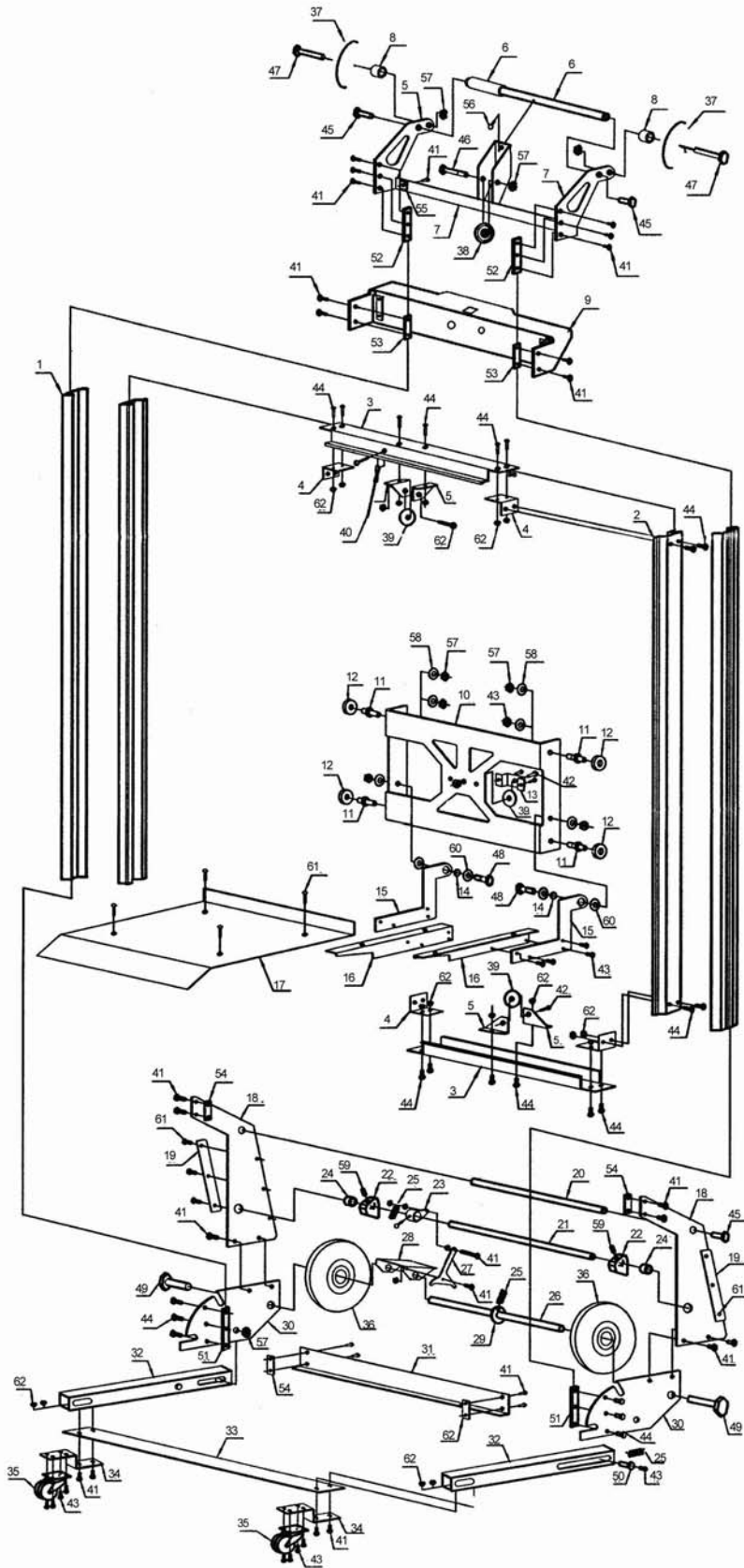


PALL - 200



Parts No.	Description	Quantity (pcs)	Parts No.	Description	Quantity (pcs)
1.	Outer Race	2	32.	Support legs	2
2.	Inner Race	2	33.	Bottom wheel plate	1
3.	Upper and lower beams	2	34.	Connecting plate	2
4.	Joint angle	4	35.	Castor	2
5.	Cable Anchor	1	36.	Solid rear wheel	2
6.	Operator handle	1/1	37.	Loading wheel	2
7.	Handle Anchor	1	38.	Big pulley	1
8.	Sleeve gasket	2	39.	Small pulley	3
9.	Winch frame	1	40.	Wire rope	1
10.	Flexible bracket	1	41.	M6×12 Screw	34
11.	Pulley shaft	4	42.	M8×30 screw	3
12.	Pulley	4	43.	M5×8screw	18
13.	Pulley frame	1	44.	M6×16Countersunk head screw	26
14.	Nylon bush	2	45.	M10×16 hex screw	4
15.	Support frame	2	46.	M10×50 hex bolt	1
16.	Platform support	2	47.	M12×70 hex bolt	2
17.	Platform	1	48.	M14×90 hex bolt	2
18.	Reinforced plate	2	49.	M10 Position bolt	2
19.	Guard slip	2	50.	M10 limit bolt	2
20.	Bracing tube	1	51.	Long depression bar	2
21.	Brake shaft	1	52.	3 holes depression bar	2
22.	Brake pads	2	53.	2 holes depression bar	4
23.	Adjust sleeve	1	54.	Short depression bar	4
24.	Sleeve gasket	2	55.	Nut	2
25.	Long spring/Short spring	1/2	56.	M6×16 six angle screws	1
26.	Pedal shaft	1	57.	M10/M12 lock nut	9/2
27.	Connecting Rod	1	58.	φ10 Flat gasket	4
28.	Foot Pedal	1	59.	M8×10 Fastening screw	2
29.	Plate	1	60.	Nylon flate gasket	4
30.	Bottom end plate	2	61.	□5.□6 Rivet	10
31.	Triangular plate	1	62.	M6 Lock nut	26