

SPREAD - 2

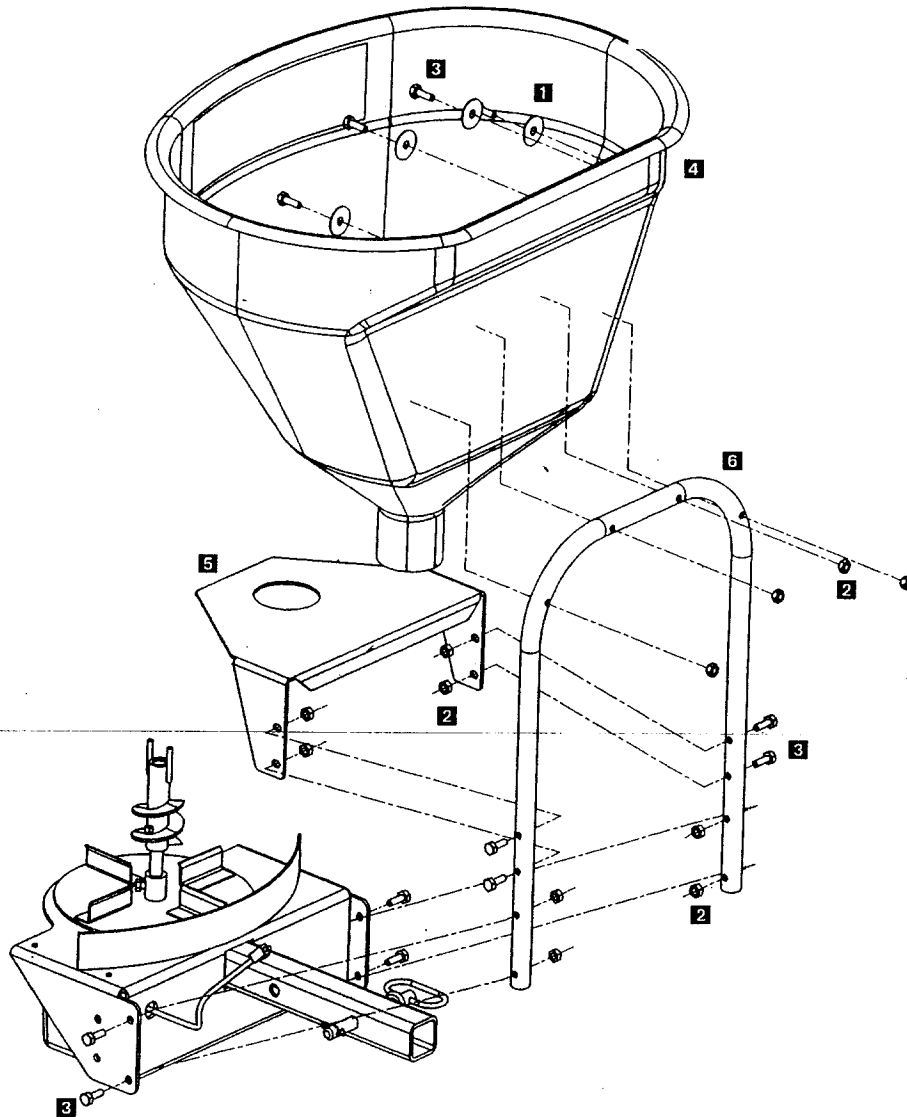
## Salt Spreader

SPREAD - 2 . 2.7 Cubic feet (approx 180 lbs) multi-purpose spreader with material auger for free flowing material- Salt, Ice melters. Standard equipment- 2" receiver, complete wiring, variable speed controller, 1-year warranty.

- **Polyethylene hopper eliminates corrosion.**
- **2.7 cu/ft. hoper capacity**
- **Light weight for easy maneuverability**
- **Low maintenance**
- **Attaches to any 2" receiver hitch**
- **All-weather variable speed controller for spread pattern control**
- **Designed for free flowing materials Salt, Ice melters**
- **1 year warranty**
- **Automotive type wiring harness**
- **12 volt dc motor with maximum torque transmission, most effective system in the industry**
- **4' – 35' variable spread pattern**

# Multi-Purpose 3.0

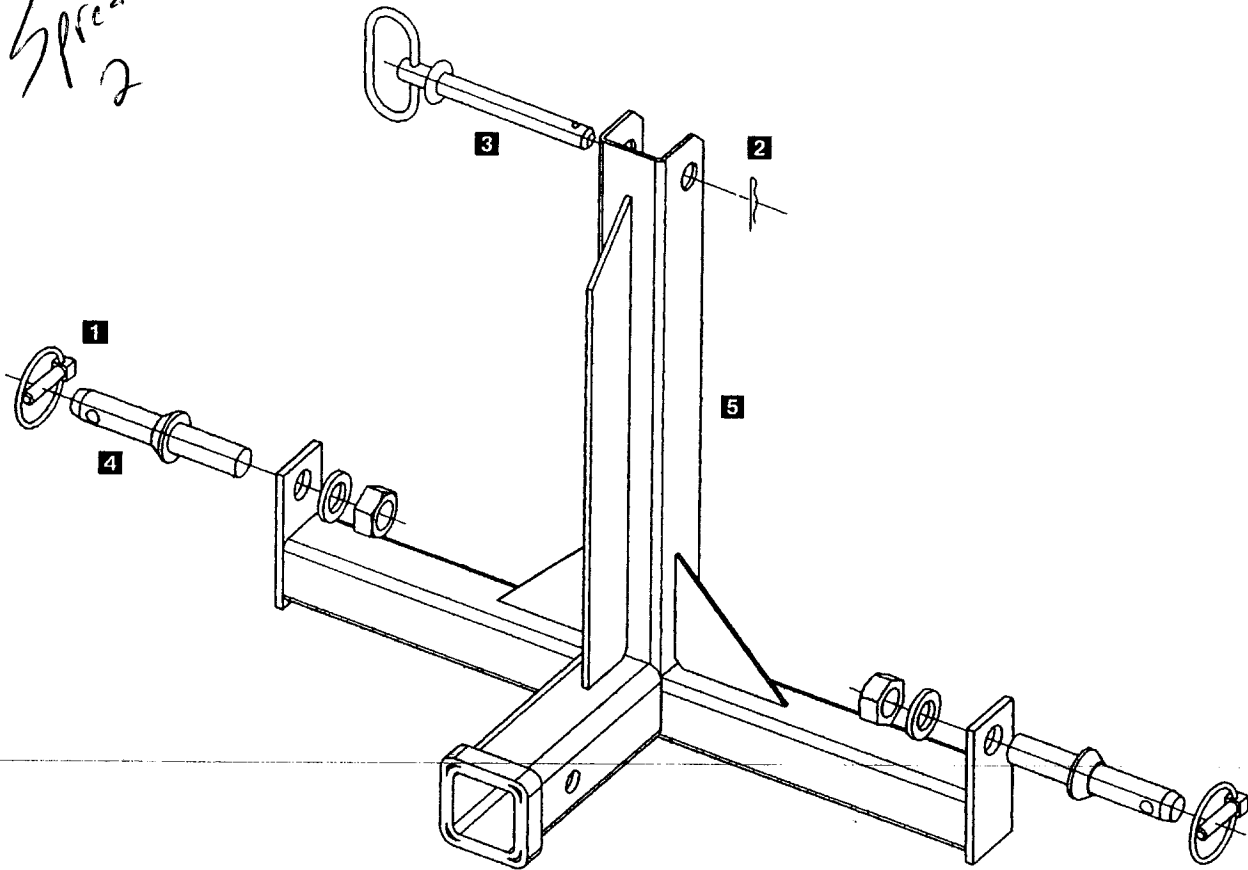
Spread  
2



Key	Part No.	Description	Qty.
1	D 4318	3/8" Fender Washer	4
2	D 6138	5/16" Locknut	12
3	D 6462	5/16" - 18 x 1-3/4" HHCS	12
4	D 6700	150 Salter Hopper	1
5	D 6702	Salter Thread Deck	1
6	D 6712	Hopper Tube Support	1

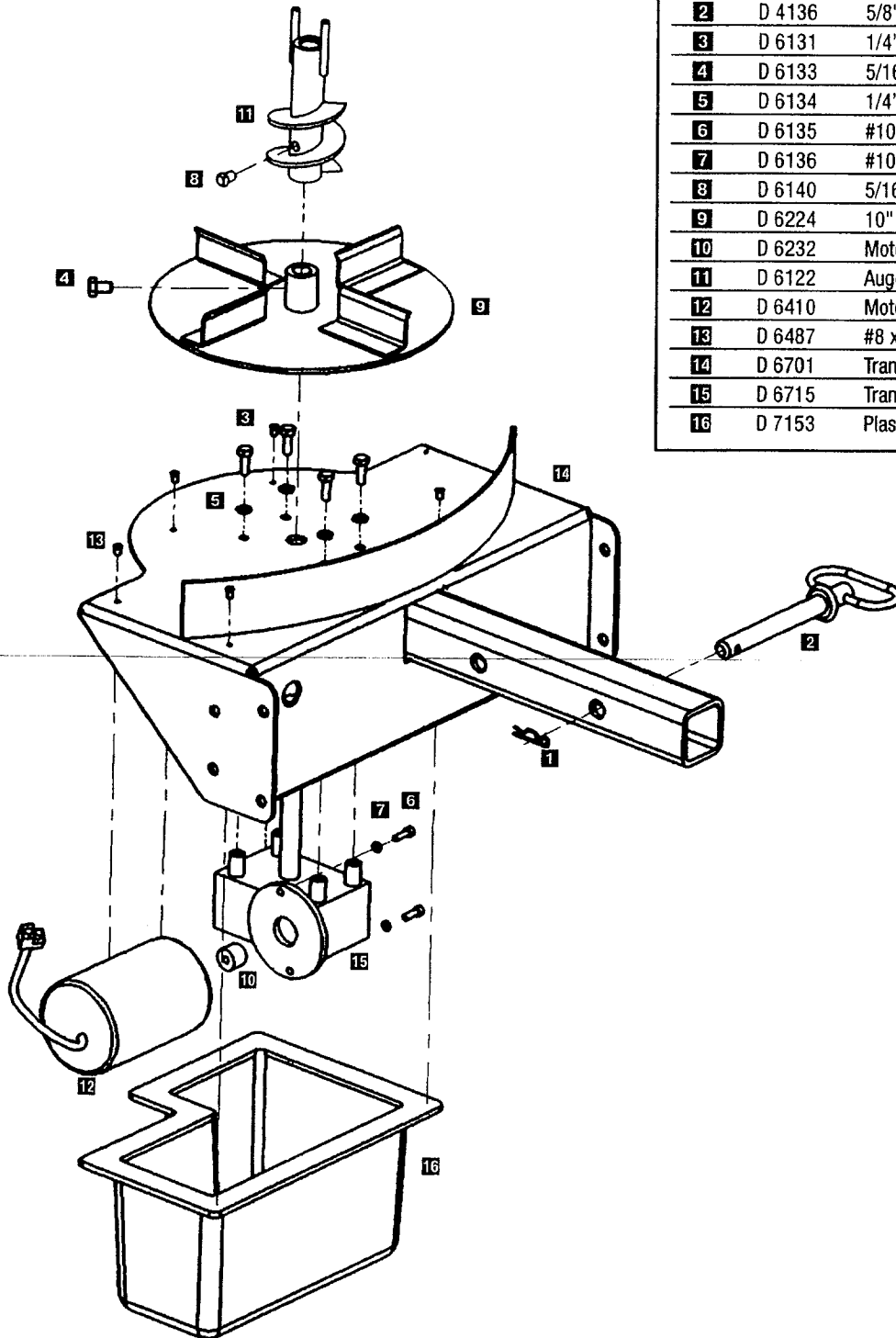
# 3-Point Mount

Spread  
2



Key	Part No.	Description	Qty.
1	D 4133	5/16" Linch Pin	2
2	D 4135	2-5/16" Hairpin Clip	1
3	D 4136	5/8" x 5-1/2" Hitch Pin	1
4	D 4137	7/8" x 5-1/2" Lift Arm Pin	2
5	D 6147	3-Point Frame	1

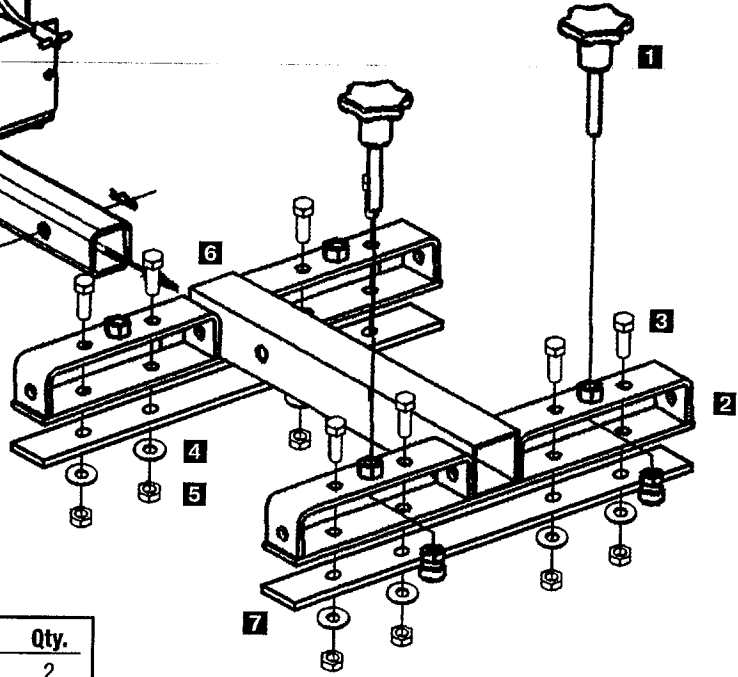
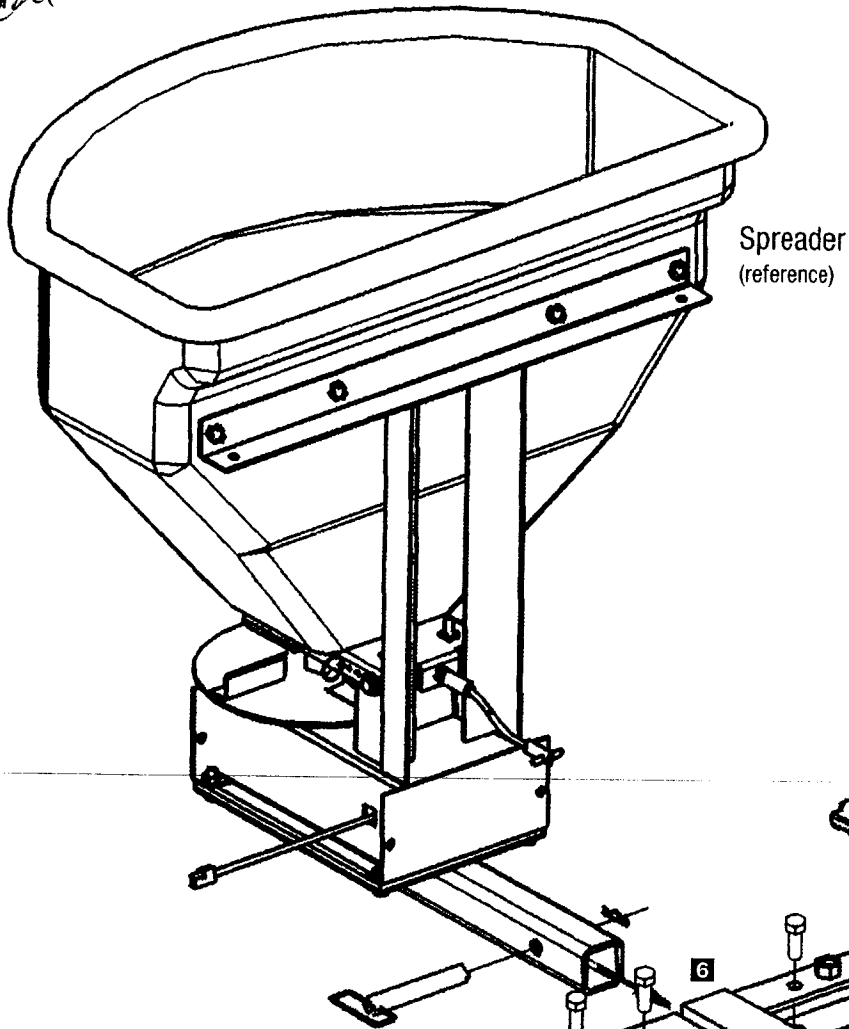
# Multi-Purpose 3.0 Complete Drive Assembly



Key	Part No.	Description	Qty.
1	D 4135	2-5/16" Hair Pin Clip	1
2	D 4136	5/8" x 5-1/2" Hitch Pin	1
3	D 6131	1/4"-20 x 3/4" Hex Bolt Stainless	4
4	D 6133	5/16"-18 x 1/2" Hex Bolt	1
5	D 6134	1/4" Stainless Lock Washer	4
6	D 6135	#10-32 x 5/8" Cap Screw	2
7	D 6136	#10 Lock Washer	2
8	D 6140	5/16" - 18 x 3/8" S.S. Set Screw	1
9	D 6224	10" Steel Spinner	1
10	D 6232	Motor Drive Coupler	1
11	D 6122	Auger	1
12	D 6410	Motor 12 Volt DC	1
13	D 6487	#8 x 1/2" Hex Head Sheet Screw	5
14	D 6701	Trans Mound Weldment	1
15	D 6715	Transmission 14.5 to 1	1
16	D 7153	Plastic Bottom Cover	1

# Utility Mount

*Spread - 1FT*



**Maximum Load Weight  
Not To Exceed 240 lbs. Gross**

Key	Part No.	Description	Qty.
1	D 4315	Lock Knob Assembly (FLM-175 Only)	2
2	D 6426	Fork Lift Mount Frame	1
3	D 4116	1/2"-13 x 1 1/2" Hex Bolt	8
4	D 4119	1/2" Flat Washer	8
5	D 4120	1/2" Lock Nut	8
6	D 6148	Utility Receiver	1
7	D 6235	Underbody Support Plate	2