



# Vestil Manufacturing Company

2999 North Wayne Street, P.O. Box 507, Angola, IN 46703

Telephone: (260) 665-7586 -or- Toll Free (800) 348-0868

Fax: (260) 665-1339

Web: [www.vestil.com](http://www.vestil.com) e-mail: [info@vestil.com](mailto:info@vestil.com)

## STAND-V ROLLER STANDS



### Receiving Instructions

After delivery, remove the packaging from the product. Inspect the product closely to determine whether it sustained damage during transport. If damage is discovered, record a complete description of it on the bill of lading. If the product is undamaged, discard the packaging.

**NOTE:** The end-user is solely responsible for confirming that product design, use, and maintenance comply with laws, regulations, codes, and mandatory standards applied where the product is used.

### Technical Service & Replacement Parts

For answers to questions not addressed in these instructions and to order replacement parts, labels, and accessories, call our Technical Service and Parts Department at (260) 665-7586. The department can also be contacted online at <https://www.vestil.com/page-parts-request.php>.

### Electronic copies of Instruction Manuals

Additional copies of this instruction manual may be downloaded from <https://www.vestil.com/page-manuals.php>

Table of Contents		Page
Signal Words.....		2
Safety Instructions.....		2
Exploded View & Bill of Materials.....		3
Assembling the STAND-V.....		4, 5, 6
Using the Stand.....		6
Record of Satisfactory Condition.....		7
Inspections.....		7
Maintenance.....		8
Labeling Diagram.....		8
Limited Warranty.....		9

## SIGNAL WORDS

SIGNAL WORDS appear in this manual to draw the reader's attention to important safety-related messages. The following are signal words used in this manual and their definitions.

### DANGER

Identifies a hazardous situation which, if not avoided, **WILL** result in **DEATH** or **SERIOUS INJURY**. Use of this signal word is limited to the **most extreme situations**.

### WARNING

Identifies a hazardous situation which, if not avoided, **COULD** result in **DEATH** or **SERIOUS INJURY**.

### CAUTION

Indicates a hazardous situation which, if not avoided, **COULD** result in **MINOR** or **MODERATE** injury.

### NOTICE

Identifies practices likely to result in **product/property damage**, such as operation that might damage the product.

## SAFETY INSTRUCTIONS

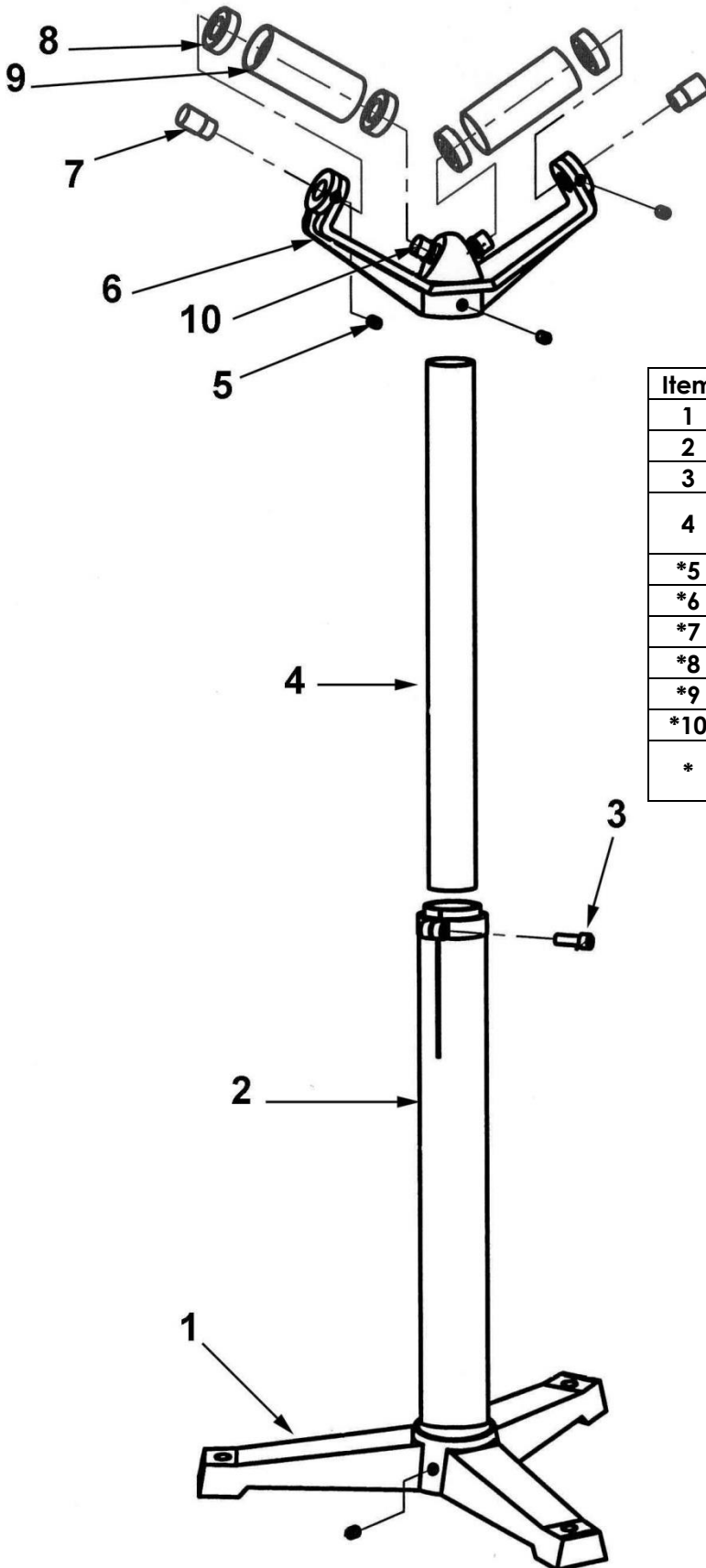
Vestil strives to identify foreseeable hazards associated with the use of its products, but no manual can address every conceivable risk. Minimize the likelihood of injury by avoiding the hazards identified below and by inspecting and maintaining the product as instructed in the [INSPECTIONS](#) and [MAINTENANCE](#) sections of this manual on p. 6-7.

### WARNING

Risks of serious personal injuries or death.

- **Read and understand the entire manual before assembling, using or servicing the product.** Read the manual to refresh your understanding of proper use, inspection, and maintenance procedures whenever necessary.
- DO NOT exceed the capacity of your unit. See [LABELING DIAGRAM](#), label 1153, on p. 8.
- Inspect the stand before each use as described in [INSPECTIONS](#) on p. 7. Confirm that all parts are structurally sound and in [satisfactory condition](#). See [RECORD OF SATISFACTORY CONDITION](#) on p. 7.
- DO NOT cover or remove any label. Verify the location and legibility of all labels. Label placement is shown in the [LABELING DIAGRAM](#) on p. 8. DO NOT use this device UNLESS all product labels are readable and undamaged.
- DO NOT climb on, sit on, or stand on the STAND-V.
- ONLY use this product on firm, level, even ground capable of supporting at least the combined weight of the STAND-V and a full capacity load.
- ONLY use this product to support construction/fabrication materials. DO NOT use this STAND to support persons. For example, this STAND-V must not be used to hold boards, planks, etc. supporting people.
- DO NOT modify the STAND-V in any way UNLESS you first obtain written approval from Vestil. Unauthorized modifications automatically void the [LIMITED WARRANTY](#) (see p. 9) and might make the product unsafe to use.

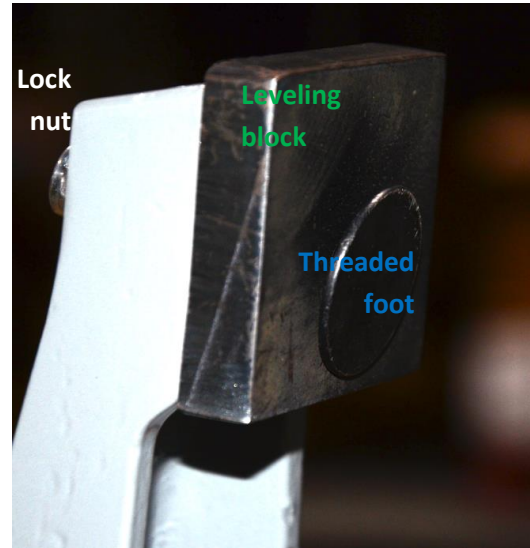
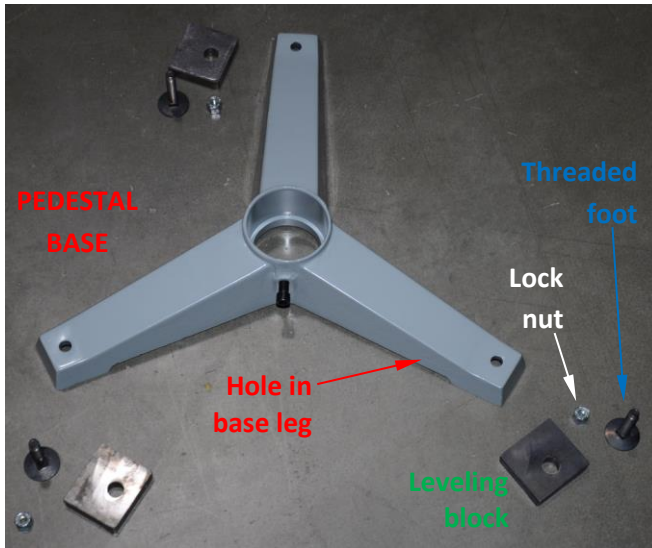
## EXPLODED VIEW AND BILL OF MATERIALS



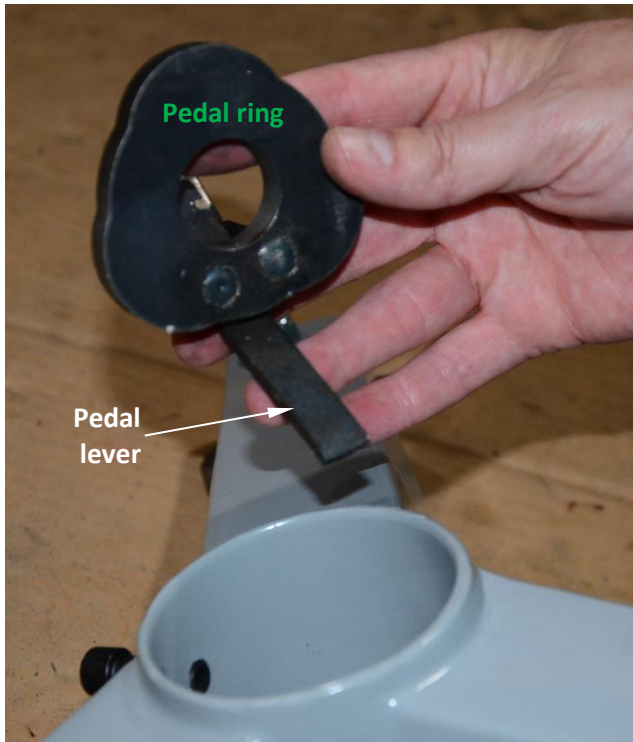
Item	Part No.	Description	Qty.
1	STAND-V15-1	Base	1
2	STAND-V15-2	Cover, cylinder, cast	1
3	STAND-V15-3	Bolt, socket head	3
4	STAND-V15-4	Sleeve, Inner cylinder	1
*5	STAND-V15-5	Screw, set	2
*6	STAND-V15-6	Bracket, roller	1
*7	STAND-V15-7	Shaft, roller bracket	2
*8	STAND-V15-8	Bearing, ball	4
*9	STAND-V15-9	Roller	2
*10	STAND-V15-10	Washer, flat	2
*	STAND-V15-RBA	Subassembly, roller bracket	1

### ASSEMBLING THE STAND-V

1. Attach all three (3) leveling blocks to the pedestal base. Insert the threaded feet through the holes in the leveling blocks, and then up through the holes in the base legs. Secure each foot with a lock nut.



2. Insert foot pedal assembly into center of pedestal base. The hinge mechanism of the pedal must be on the underside of the assembly as shown in the following pictures. The pedal ring should rest on top of the support collar inside the pedestal base.



3. With the pedal assembly in place (NOTE: The pedal lever should project radially away from the receiver), install the narrower end of the hydraulic cylinder, i.e. the end with a white plastic tip, into the receiver. The white tip should contact the upper side of the foot pedal assembly. Loosen (unwind) the set screw so that it does not extend into the opening of the receiver.



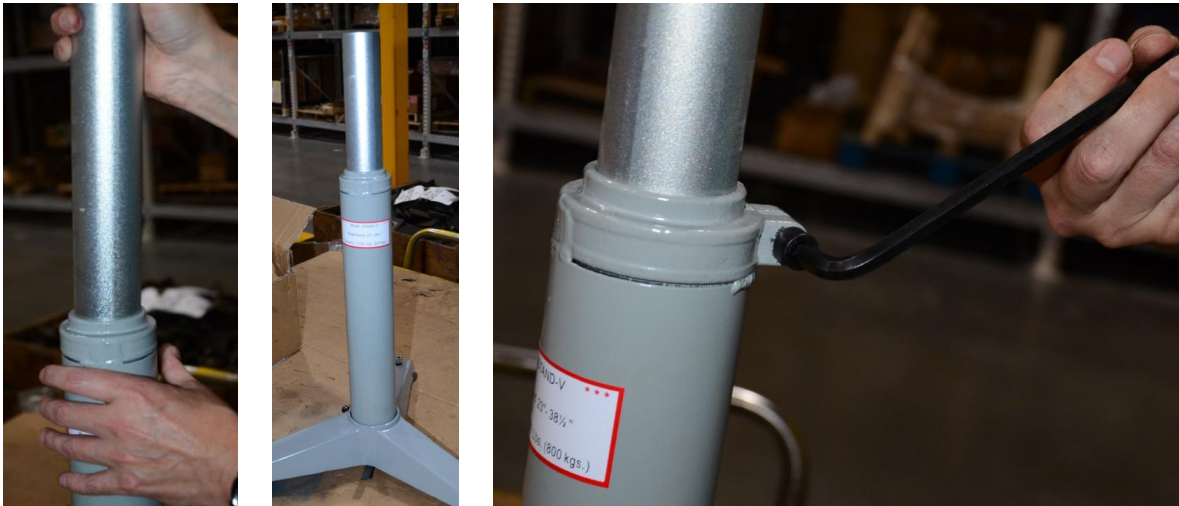
4. Once in place, slide the cylinder cover over the hydraulic cylinder. The top of the hydraulic cylinder should project beyond the top of the cover when the cover is installed.



5. Either use an Allen wrench or pliers to tighten the set screw and secure the cover in place. Tighten the screw until it firmly presses against the side of the cylinder cover.



6. Insert the inner cylinder sleeve into the top opening of the cylinder cover. Tighten the set screw in the collar at the top of the sleeve. Tightening the set screw constricts the opening at the top end of the cylinder cover against the inner sleeve.



7. Place the roller subassembly onto the top of the inner sleeve. Tighten the set screw against the side of the inner sleeve to secure the roller head in position.



## USING THE STAND

Place the stand appropriately to support the item/material being worked on.

Loosen the set screw at the top end of the cylinder cover. See *ASSEMBLING THE STAND-V, Step 6, on p. 6.*

Pump the pedal lever with your foot to extend the cylinder and raise the roller subassembly. See *ASSEMBLING THE STAND-V, Step 3, on p. 5.* When the roller subassembly reaches the desired height, stop pumping the pedal.

To lower the roller subassembly, press and hold the pedal lever with your foot. Simultaneously, press down on the roller head. Release the pedal when you finish adjusting the height of the roller head.

## RECORD OF SATISFACTORY CONDITION (THE “RECORD”)

Before using the STAND for the first time, make a written record of its appearance. Describe the condition of the base, threaded feet, leveling pads, pedal mechanism, cylinder cover, set screws, inner sleeve, and the roller subassembly. Take photographs of each item and add the photos to your record. Take photographs of all labels applied to the stand. Describe in writing where each label is located. Extend the cylinder/raise the roller subassembly by pumping the pedal lever. Describe the effort needed to pump the pedal and how far the cylinder extends with each pump of the pedal. Press and hold the pedal and press down the roller subassembly to lower it. Describe the effort needed to lower the roller subassembly. Combine all writings and photographs in a single file. This file is your record of the STAND-V in satisfactory condition. When conducting the following inspections, compare your observations to this RECORD to determine whether it is in satisfactory condition. Do not use the STAND unless every component is in satisfactory condition. Cosmetic changes, like damaged paint/powder coat do not constitute changes from satisfactory condition. However, touchup paint should be applied to all affected areas as soon as damage occurs.

## INSPECTIONS

Inspections and repairs should only be performed by qualified persons. Compare the results of each inspection to the [RECORD OF SATISFACTORY CONDITION](#) (the “RECORD”). Do not use the STAND unless all parts are in satisfactory condition. Replace parts that are not in satisfactory condition before returning the STAND to service. **DON'T GUESS! If you have any questions about the condition of your product, contact the [TECHNICAL SERVICE](#) department.** The phone number is provided on the cover page of this manual.

Never make temporary repairs of damaged or missing parts. Only use manufacturer-approved replacement parts. Replace the entire unit if it cannot be restored to satisfactory condition.

### Monthly inspections

Perform the following inspections at least once per month, or immediately after any incident occurs which reasonably should be expected to cause damage to the STAND.

1. Check the surface of the STAND for dirt, corrosion, or other matter. Clean the STAND when necessary.
2. Confirm integrity of hardware and fasteners, including but not limited to bolts, nuts, threaded feet, and set screws.
3. Raise the roller subassembly by pumping the foot pedal. Determine whether the cylinder extends normally. If the roller elevates while pumping the pedal, but descends slowly on its own, or if you observe any other form of abnormal, unstable or noisy movement of the cylinder, contact the [TECHNICAL SERVICE DEPARTMENT](#)
4. Examine the base. All 3 threaded feet should make solid contact with the ground. The STAND must not wobble. Check each foot for looseness or excessive wear or other forms of damage.
5. Confirm that the roller subassembly is in satisfactory condition. Both rollers should freely spin with little resistance.
6. Check labels. See [LABELING DIAGRAM](#) on p. 8. Replace labels that are damaged, missing, or not easily readable.
7. Examine the whole structure for rust/corrosion/metal erosion. Remove rust/corrosion with a steel bristle brush or steel wool. Clean the area and apply touchup paint. Metal erosion might require removing the STAND from service. Contact [TECHNICAL SERVICE](#) if you have any questions.

# MAINTENANCE

Implement a maintenance program to ensure that the product functions properly and safely for as long as possible. The end-user is responsible for selecting and training employees to work on the material stand. "Work on" means use, inspect, and maintain the product. ONLY trained, authorized personnel should perform inspection, maintenance, or repair work.

Step 1: Tag the stand, "Out of Service."

Step 2: Remove any dirt or other matter from all surfaces.

Step 3: Conduct a monthly inspection as described in [INSPECTIONS](#) on p. 7. If deformity, corrosion, rusting, or excessive wear is found, DO NOT use the product. Permanently remove it from service. If any other deviations from [SATISFACTORY CONDITION](#) are discovered during an inspection, proceed to step 4.

Step 4: Perform all necessary adjustments, replacements, and/or repairs but DO NOT modify the stand.

**NOTE:** An "adjustment" is a simple correction that restores the device to satisfactory condition, such as tightening loose fasteners, or removing dirt or other debris from the surface. "Replacement" means the removal of worn parts and installation of manufacturer-approved replacement parts. A "repair" is an operation that restores a part to satisfactory condition. A "modification" is a change that alters the stand from its original condition such as bending a structural member or removing a part or several parts. **NEVER** modify the device without first obtaining express, written approval from Vestil. Modifications automatically void the [limited warranty](#) (see p. 9) and might make the stand unsafe to use.

Step 5: Make a dated record of all repairs, adjustments and replacements performed.

## LABELING DIAGRAM

The unit should be labeled as shown in the diagram. Label content and location are subject to change so your product might not be labeled exactly as shown. Compare this diagram to your [RECORD OF SATISFACTORY CONDITION](#). Replace all labels that are damaged, missing, or not easily readable (e.g. faded). Order replacement labels by contacting the [TECHNICAL SERVICE & PARTS DEPARTMENT](#) online at <https://www.vestil.com/page-parts-request.php>. Alternatively, you may request replacement parts and/or service by calling (260) 665-7586 and asking the operator to connect you to the [PARTS DEPARTMENT](#).

**A:** Label 1153 or equivalent manufacturer-applied label (Model, serial no., weight, capacity)

MODEL / MODÉLO / MODÈLE	_____
WEIGHT / PESO / MASS	_____
CAPACITY / CAPACIDAD / CAPACITÉ	_____
SERIAL / SERIE / SÉRIE	_____
UNITS: 2.2 lb. = 1kg      1" (or 1in.) = 2.54cm	1153



## LIMITED WARRANTY

Vestil Manufacturing Company ("Vestil") warrants this product to be free of defects in material and workmanship during the warranty period. Our warranty obligation is to provide a replacement for a defective, original part covered by the warranty after we receive a proper request from the Warrantee (you) for warranty service.

### Who may request service?

Only a warrantee may request service. You are a warrantee if you purchased the product from Vestil or from an authorized distributor AND Vestil has been fully paid.

### Definition of "original part"?

An original part is a part used to make the product as shipped to the Warrantee.

### What is a "proper request"?

A request for warranty service is proper if Vestil receives: 1) a photocopy of the Customer Invoice that displays the shipping date; AND 2) a written request for warranty service including your name and phone number. Send requests by one of the following methods:

<u>US Mail</u>	<u>Fax</u>	<u>Email</u>
Vestil Manufacturing Company 2999 North Wayne Street, PO Box 507 Angola, IN 46703	(260) 665-1339 <u>Phone</u> (260) 665-7586	info@vestil.com Enter "Warranty service request" in subject field.

In the written request, list the parts believed to be defective and include the address where replacements should be delivered. After Vestil receives your request for warranty service, an authorized representative will contact you to determine whether your claim is covered by the warranty. Before providing warranty service, Vestil will require you to send the entire product, or just the defective part (or parts), to its facility in Angola, IN.

### What is covered under the warranty?

The warranty covers defects in the following original, dynamic parts: motors, hydraulic pumps, electronic controllers, switches, and cylinders. It also covers defects in original parts that wear under normal usage conditions ("wearing parts"), such as bearings, hoses, wheels, seals, brushes, and batteries.

### How long is the warranty period?

The warranty period for original dynamic components is 30 days. For wearing parts, the warranty period is 30 days. Both warranty periods begin on the date Vestil ships the product to the Warrantee. If the product was purchased from an authorized distributor, the periods begin when the distributor ships the product. Vestil may, at its sole discretion, extend a warranty period for products shipped from authorized distributors by up to 30 days to account for shipping time.

### If a defective part is covered by the warranty, what will Vestil do to correct the problem?

Vestil will provide an appropriate replacement for any covered part. An authorized representative of Vestil will contact you to discuss your claim.

### What is not covered by the warranty?

The Warrantee (you) are responsible for paying labor costs and freight costs to return the product to Vestil for warranty service.

### Events that automatically void this Limited Warranty.

- Misuse;
- Negligent assembly, installation, operation or repair;
- Installation/use in corrosive environments;
- Inadequate or improper maintenance;
- Damage sustained during shipping;
- Collisions or other accidents that damage the product;
- Unauthorized modifications: Do not modify the product IN ANY WAY without first receiving written authorization from Vestil.

### Do any other warranties apply to the product?

Vestil Manufacturing Co. makes no other express warranties. All implied warranties are disclaimed to the extent allowed by law. Any implied warranty not disclaimed is limited in scope to the terms of this Limited Warranty. Vestil makes no warranty or representation that this product complies with any state or local design, performance, or safety code or standard. Noncompliance with any such code or standard is not a defect in material or workmanship.

