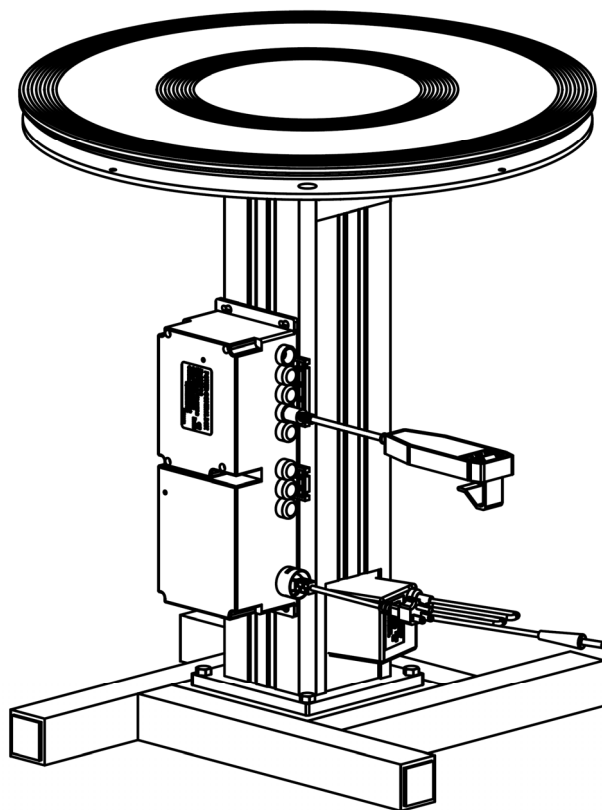




Vestil Manufacturing Corp.
 2999 North Wayne Street, P.O. Box 507, Angola, IN 46703
 Telephone: (260) 665-7586 -or- Toll Free (800) 348-0868
 Fax: (260) 665-1339
 URL: www.vestilmfg.com Email: info@vestil.com

TT-LA Series Turntables Instruction Manual



Receiving instructions:

After delivery, remove the packaging from the crane. Then, inspect the product closely to determine whether it sustained damage during transport. **If damage is discovered, record a complete description of the damage on the bill of lading.** If the product is undamaged, discard the packaging.

NOTES:

- 1) Compliance with laws, regulations, codes, and non-voluntary standards enforced in the location where the product is used is exclusively the responsibility of the owner/end-user.
- 2) VESTIL is **not liable** for injury or property damage that occurs from failure to apply either: a) Instructions in this manual; or b) Information provided on product labels.

Table of Contents

Specifications.....	2
FIG. 1: TT-18-LA exploded parts diagram & bill of materials.....	2
FIG. 2: TT-N-24-LA exploded parts diagram & bill of materials.....	3
FIG. 3: TT-N-30-LA exploded parts diagram & bill of materials.....	3
Signal Words.....	4
Hazards of Improper Use.....	4
Operation.....	4
Battery charger.....	4
Inspections.....	4
Labeling Diagram.....	5
Limited Warranty.....	5

Specifications:

Dimensions and other specifications for each TT-LA turntable appear in the diagrams and table.

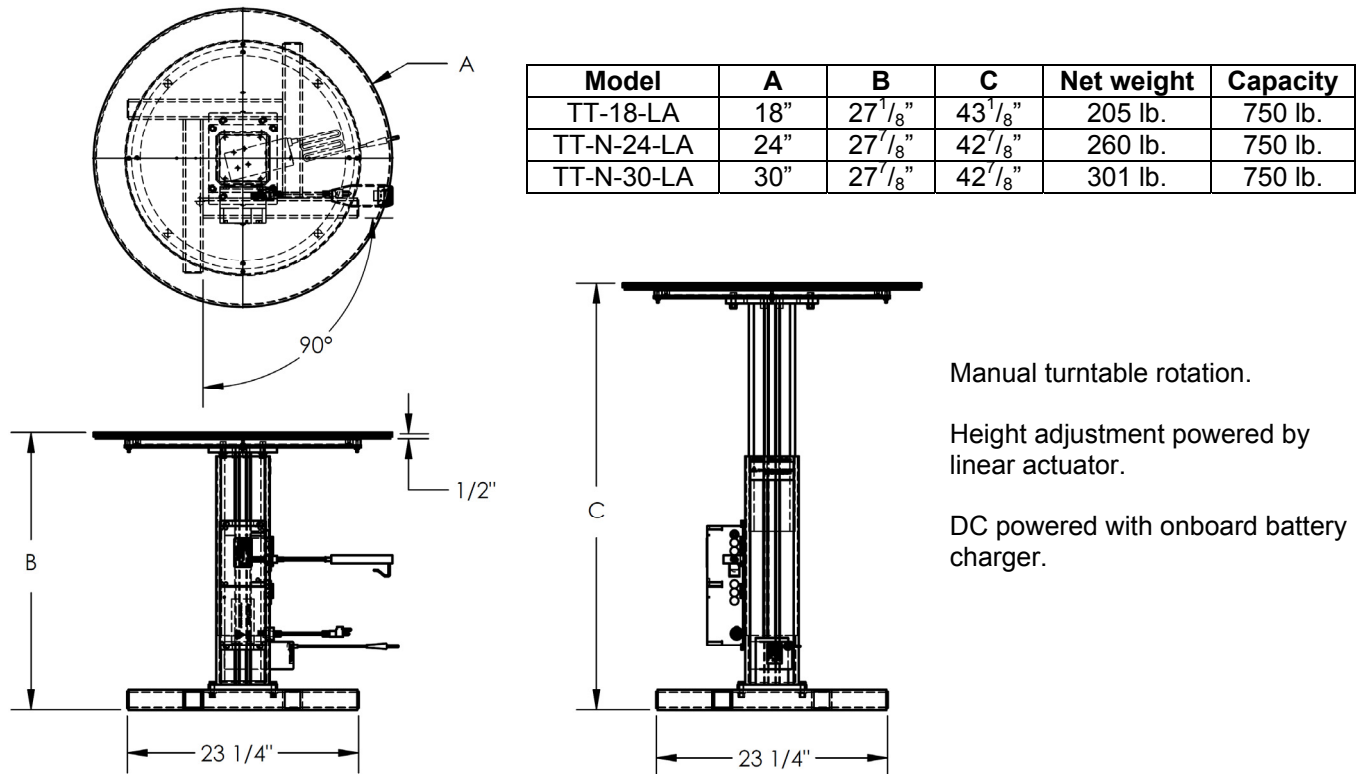


FIG. 1: TT-18-LA exploded parts diagram and bill of materials

Item	Part no.	Description	Qty.
1	20-024-008	Pad, rubber top, 18" diameter	1
2	20-514-072	Assembly frame, base	1
3	38654	M10 x 1.5 x 20 metric HHCS bot	4
4	20-013-016	Turntable platform plates	1
5	20-110-007	Ball bearing carousel	1

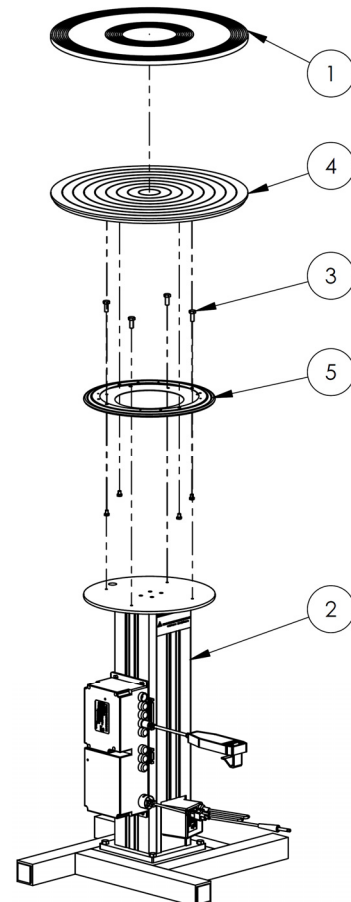


FIG. 2: TT-N-24-LA exploded parts diagram and bill of materials

Item	Part no.	Description	Qty.
1	20-001-135	13.78" (diameter) carousel assembly	1
2	20-514-095	Assembly, frame	1
3	20-013-031	Carousel top plate	1
4	24214	Flat head socket cap screw, 10-32 x 1.25"	4
5	37015	10-32 lock nut, z-plated	4
6	39955	M6-1.0x20mm flat head socket cap screw	4
7	20-024-012	Guard, cover, mat	1

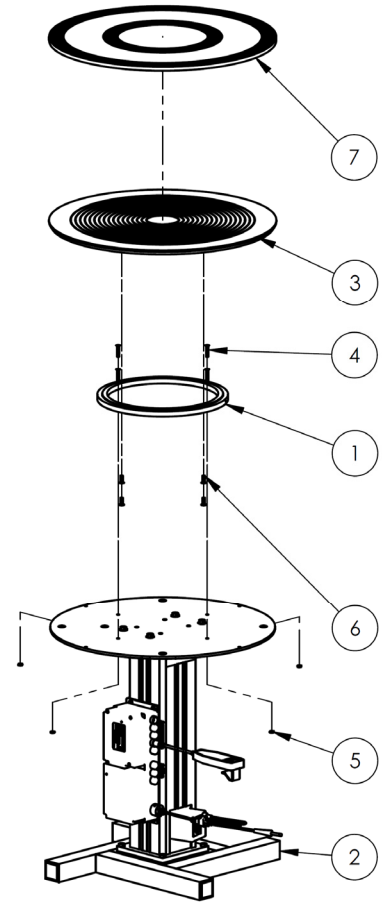
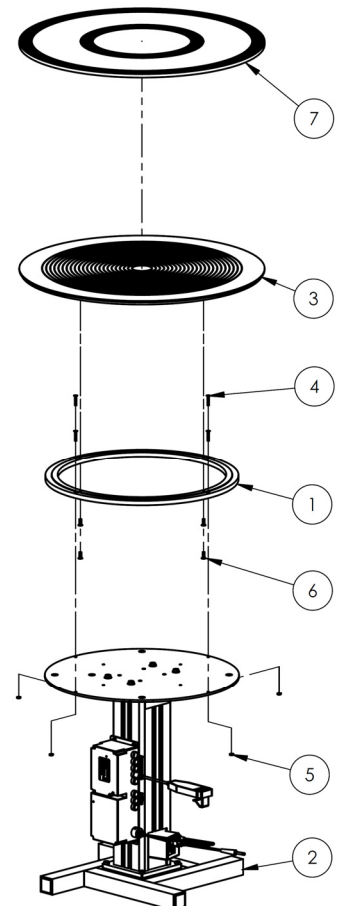


FIG. 3: TT-N-30-LA exploded parts diagram and bill of materials

Item	Part no.	Description	Qty.
1	20-001-136	23.6" (diameter) carousel assembly	1
2	20-514-095	Assembly, frame	1
3	20-013-032	Carousel top plate	1
4	24214	Flat head socket cap screw, #10-32 x 1.25"	4
5	37015	10-32 lock nut, z-plated	4
6	39955	M6-1.0 x 20mm flat head socket cap screw	4
7	20-024-013	Guard, cover, mat	1



Signal Words:

This manual classifies personal injury risks and situations that could lead to property damage with SIGNAL WORDS. A safety message appears with a signal word that describes an improper/dangerous use of the product. The signal word indicates the seriousness of the injury that could result from the described use.



Identifies a hazardous situation which, if not avoided, COULD result in DEATH or SERIOUS INJURY.



Identifies practices likely to result in product/property damage, such as operation that might damage the crane.

Hazards of Improper Use:

Study the entire manual before using this turntable. A copy of the manual should be available to users at all times. Read the manual to refresh your understanding of the operation, inspection and maintenance procedures whenever necessary.

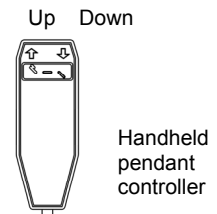


Improper or careless operation might result in serious personal injuries.

- DO NOT exceed the capacity of your turntable. (See “Specifications” on p. 2; label 287 on product; “Labeling diagram” on p. 5).
- Center and evenly distribute all loads applied to the table.
- Turn the tabletop slowly when loaded. Spinning the tabletop rapidly might cause the load to spill.
- DO NOT stand, or sit, on the turntable.
- DO NOT use the turntable if any label is unreadable, damaged, or missing (see “Labeling diagram” on p. 5). Contact Vestil for replacement labels.
- DO NOT modify the turntable in any. Modifications might make the crane unsafe to use and automatically void the limited warranty. (See “Limited Warranty” on p. 5).

Operation:

This turntable utilizes two 12V batteries and a DC-powered linear actuator to raise and lower the tabletop. A handheld pendant controller governs the actuator. To raise the tabletop, press the upwardly pointing arrow (top left button). To lower the tabletop, press the downwardly pointing arrow, i.e. the top right button. Movement occurs only as long as a control button is pressed. The tabletop will maintain its position when the control buttons are released.



Battery charger:

To recharge the batteries, plug the charging cord into a wall socket. An indicator light turns on as soon as the charger is energized. A red light indicates that the batteries are charging. Once the batteries are fully charged, the indicator light turns green.

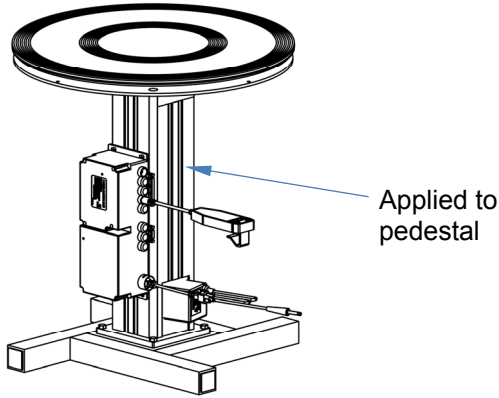
Inspections:

Before putting the turntable into service, make a detailed record that describes the appearance of each component and how the unit looks and sounds while the tabletop rotates. These observations establish “normal operating condition”. During later inspections, compare your observations to the record to determine if the unit is in normal operating condition. Do not continue to use the turntable unless it is in normal operating condition.

If the turntable is used occasionally (2-3 times per week or fewer), inspect the turntable at least once per month as instructed below. Turntables under heavy use should be inspected on a weekly basis. Examine each of the following components:

- Base frame – check for cracks, warps, and damaged welds. The base should rest stably on the ground, without wobbling, leaning, etc.
- Linear actuator – make sure that the actuator extends and retracts smoothly. The actuator should hold position whenever a control button is released.
- Carousel – rotate the carousel through a complete revolution in both directions. The carousel should rotate smoothly without binding or jerking.
- Top plate – examine the plate for cracks and warps. It should not wobble significantly while the tabletop rotates.
- Rubber cover – confirm that the cover is intact and firmly engages the top plate. The purpose of the cover is to prevent items from sliding while the tabletop rotates. Replace the cover if it is damaged.
- Hardware – make sure that all bolts, nuts, washers, etc. are securely fastened. Tighten nuts as necessary.

Labeling Diagram: Only use the turntable if label 287 is applied in the location diagrammed below. All text must be easily readable. Clean the label whenever necessary to maintain legibility from a reasonable viewing distance. Replace the label if it becomes damaged or unreadable.



Label 287

MODEL/MODÉLO/MODÈLE _____	
STATIC CAPACITY (evenly distributed) _____	lbs.
LA CAPACIDAD CONSTANTE (distribuida uniformemente) _____	kgs.
CAPACITÉ STATIQUE (distribuée régulièrement) _____	kgs.
SERIAL/SERIE/SÉRIE _____	

287 REV 0812

LIMITED WARRANTY:

Vestil Manufacturing Corporation (“Vestil”) warrants this product to be free of defects in material and workmanship during the warranty period. *Our warranty obligation is to provide a replacement for a defective original part if the part is covered by the warranty, after we receive a proper request from the warrantee (you) for warranty service.*

Who may request service?

Only a warrantee may request service. *You are a warrantee if you purchased the product from Vestil or from an authorized distributor AND Vestil has been fully paid.*

What is an “original part”?

An original part is a part *used to make the product as shipped* to the warrantee.

What is a “proper request”?

A request for warranty service is proper if Vestil receives: 1) a photocopy of the Customer Invoice that displays the shipping date; AND 2) a written request for warranty service including your name and phone number. Send requests by any of the following methods:

Mail
 Vestil Manufacturing Corporation
 2999 North Wayne Street, PO Box 507
 Angola, IN 46703

Fax
 (260) 665-1339
Phone
 (260) 665-7586

Email
 info@vestil.com

In the written request, list the parts believed to be defective and include the address where replacements should be delivered.

What is covered under the warranty?

After Vestil receives your request for warranty service, an authorized representative will contact you to determine whether your claim is covered by the warranty. Before providing warranty service, Vestil may require you to send the entire product, or just the defective part or parts, to its facility in Angola, IN. The warranty covers defects in the following original dynamic components: motors, hydraulic pumps, electronic controllers, switches and cylinders. It also covers defects in original parts that wear under normal usage conditions (“wearing parts”), such as bearings, hoses, wheels, seals, brushes, and batteries.

How long is the warranty period?

The warranty period for original dynamic components is 90 days. For wearing parts, the warranty period is 90 days. The warranty periods begin on the date when Vestil ships the product to the warrantee. If the product was purchased from an authorized distributor, the periods begin when the distributor ships the product. Vestil may, at its sole discretion, extend the warranty periods for products shipped from authorized distributors by *up to 30 days* to account for shipping time.

If a defective part is covered by the warranty, what will Vestil do to correct the problem?

Vestil will provide an appropriate replacement for any *covered* part. An authorized representative of Vestil will contact you to discuss your claim.

What is not covered by the warranty?

1. Labor;
2. Freight;
3. Occurrence of any of the following automatically voids the warranty:
 - Product misuse;
 - Negligent operation or repair;
 - Corrosion or use in corrosive conditions;
 - Unauthorized modifications: DO NOT modify the product IN ANY WAY without first receiving written authorization from Vestil. Modification(s) might make the product unsafe to use or might cause excessive and/or abnormal wear.
 - Inadequate or improper maintenance;
 - Damage sustained during shipping;
 - Accidents involving the product;

Do any other warranties apply to the product?

Vestil Manufacturing Corp. makes no other express warranties. All implied warranties are disclaimed to the extent allowed by law. Any implied warranty not disclaimed is limited in scope to the terms of this Limited Warranty.

