



## **SIGNAL WORDS**

This manual uses SIGNAL WORDS to direct the reader's attention to important safety-related messages. These messages describe uses of the product that could result in personal injury or property damage. Each signal word corresponds to a specific hazard level. The following are definitions of signal words that might appear in this manual.



Identifies a hazardous situation which, if not avoided, WILL result in DEATH or SERIOUS INJURY. Use of this signal word is limited to the most extreme situations.



Identifies a hazardous situation which, if not avoided, COULD result in DEATH or SERIOUS INJURY.



Indicates a hazardous situation which, if not avoided, COULD result in MINOR or MODERATE injury.



Identifies practices likely to result in product/property damage, such as operation that might damage the product.

## **SAFETY INSTRUCTIONS**

Vestil Manufacturing strives to identify all foreseeable hazards associated with the use of its products. However, material handling is dangerous and no manual can address every risk. The end user is ultimately responsible for exercising sound judgment at all times in the use of this product.



Improper or careless operation of this device might result in serious personal injuries.

- ***It is the User's responsibility to read and understand this entire manual before installing, assembling, using or servicing this Vertical Bar Rack.*** Keep this manual in a location known to persons who use the Rack. Read the manual whenever necessary to refresh your understanding of proper use, inspection, and maintenance procedures. ***Failure to read and understand this owner's manual before installing, using, or servicing the Rack constitutes a misuse of the product.***
- A Rack is intended for use on a level concrete surface. DO NOT use a Rack that has not been anchored to a level concrete surface.
- A Rack shall be assembled and installed only by trained and qualified personnel with access to appropriate tools and equipment.
- ALWAYS place a Rack with its back against a wall.
- ALWAYS anchor a Rack to the floor before use.
- ALWAYS distribute items stored in a Rack for an even weight distribution.
- DO NOT exceed the rated capacity of a Rack.
- DO NOT lean items against the Rack, except those stored on the Rack and supported in its base.
- DO NOT climb on a Rack.
- DO NOT use a Rack if unusual noise or motion is observed. DO NOT use a Rack if fasteners are loose.
- Inspect and maintain this Rack as instructed in the Inspection and Maintenance section, p. xx. Do not use a Rack unless it is in satisfactory condition. ONLY use manufacturer-approved replacement parts.
- DO NOT perform any modifications to the lift table without the manufacturer's written approval. Failure to receive authorization for changes to the equipment automatically voids the warranty.

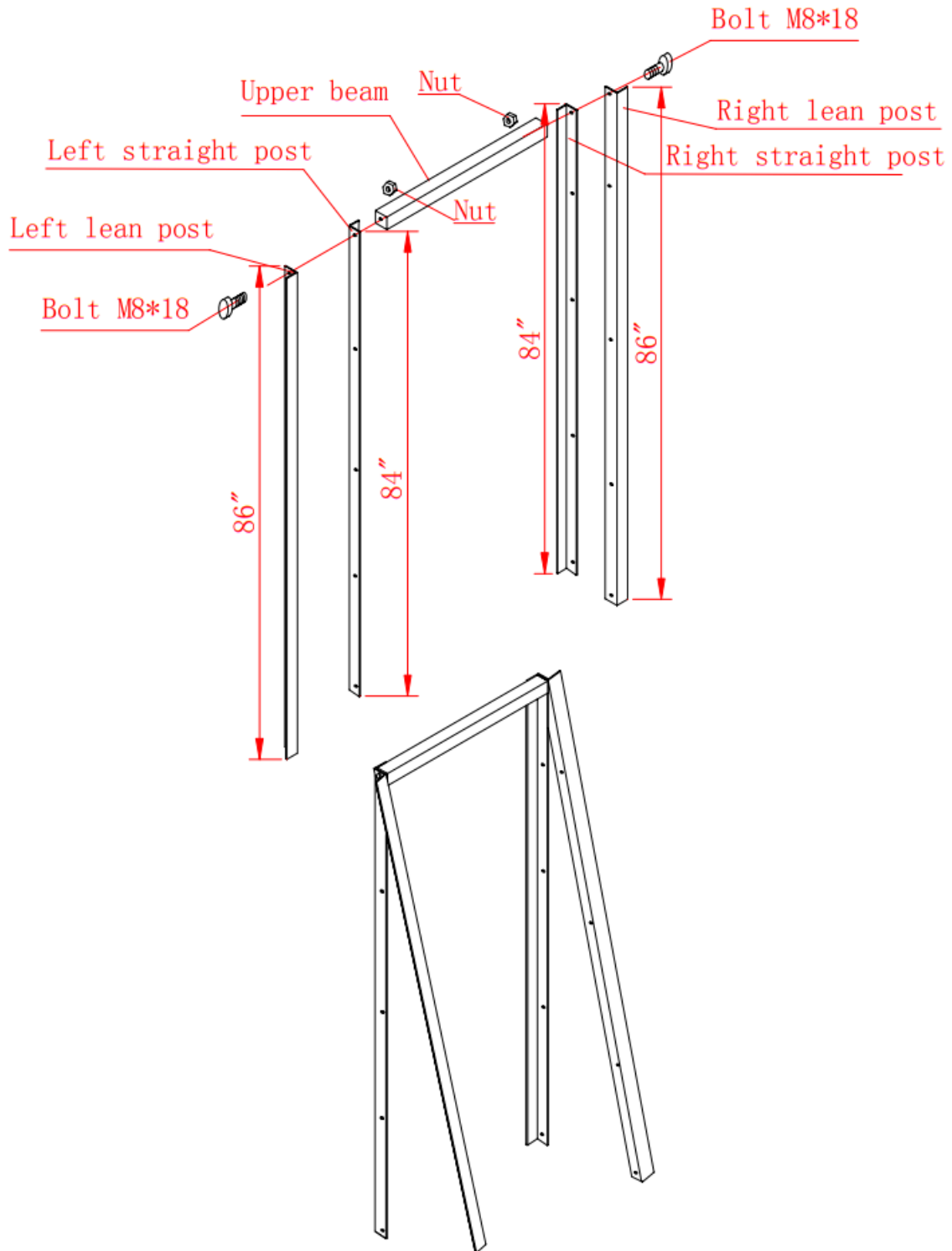


Proper use and maintenance are essential for this product to function properly.

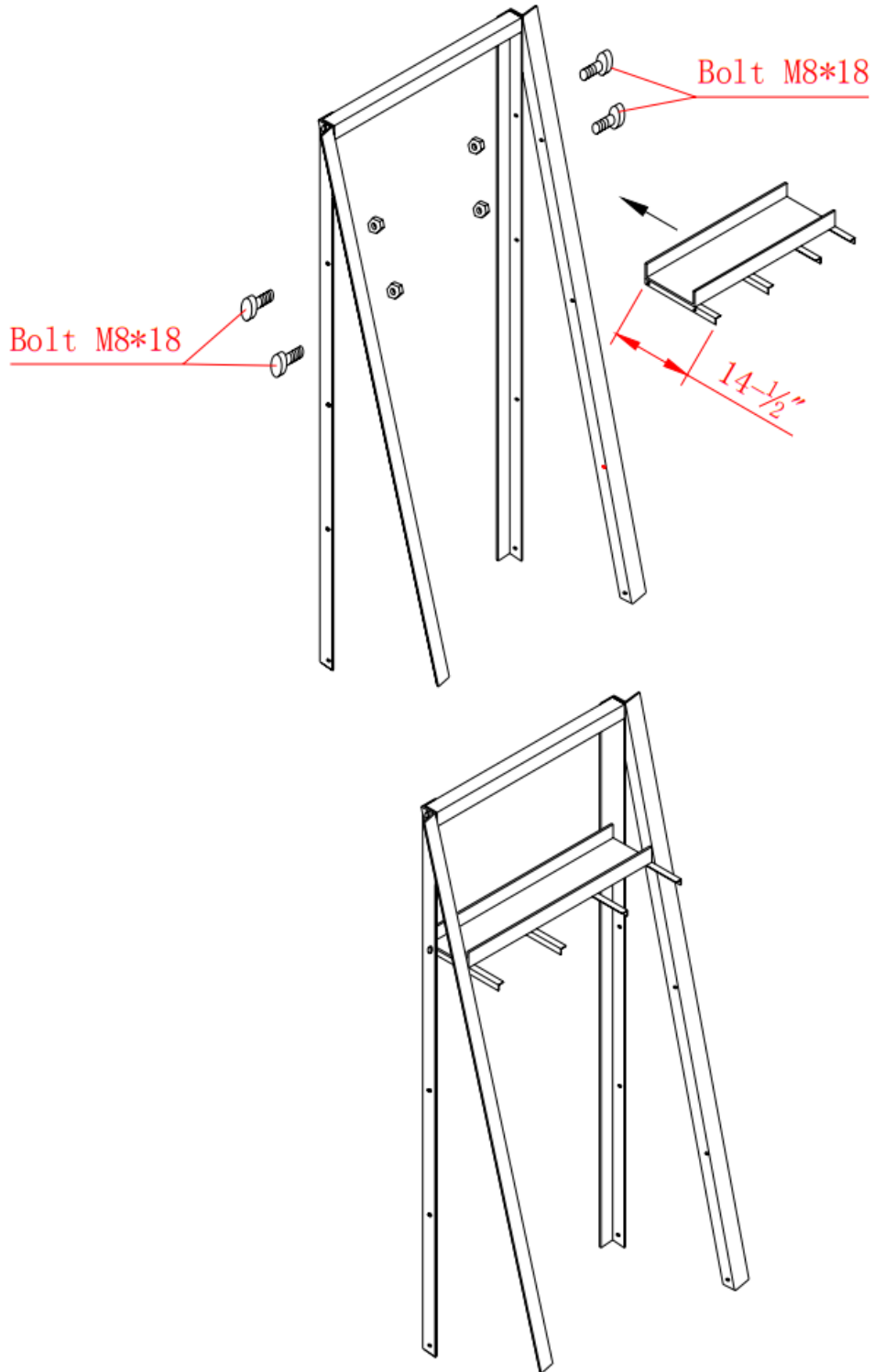
- Always use this product in accordance with the instructions in this manual and consistent with any training relevant to the storage of materials on racks.
- Keep the rack clean & dry.

## ASSEMBLY AND INSTALLATION INSTRUCTIONS

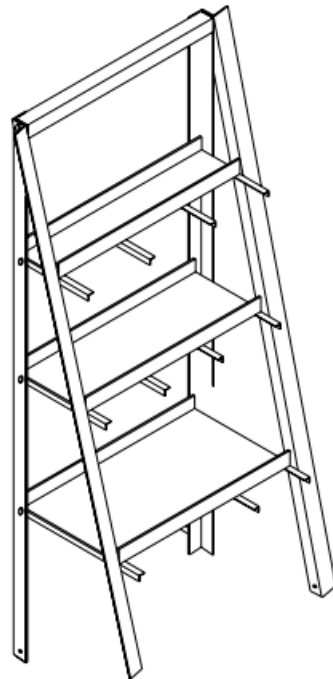
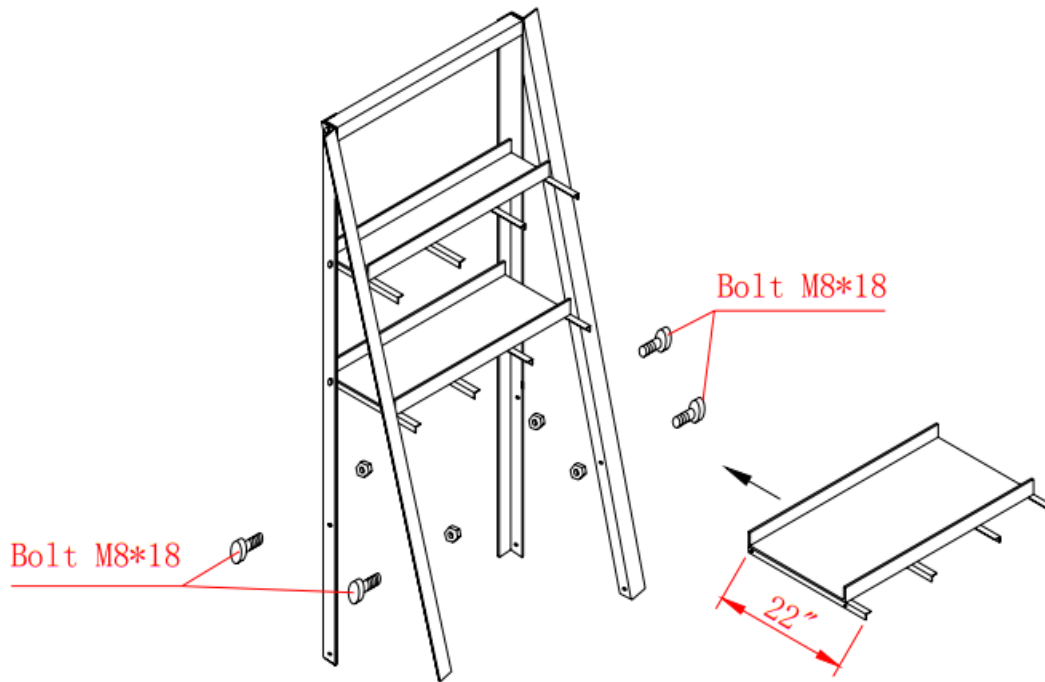
**Step 1.** Assemble the lean posts and straight posts to the upper beam as shown. Keep all fasteners finger-tight until the Rack is completely assembled. Left-hand and right-hand parts are not interchangeable!



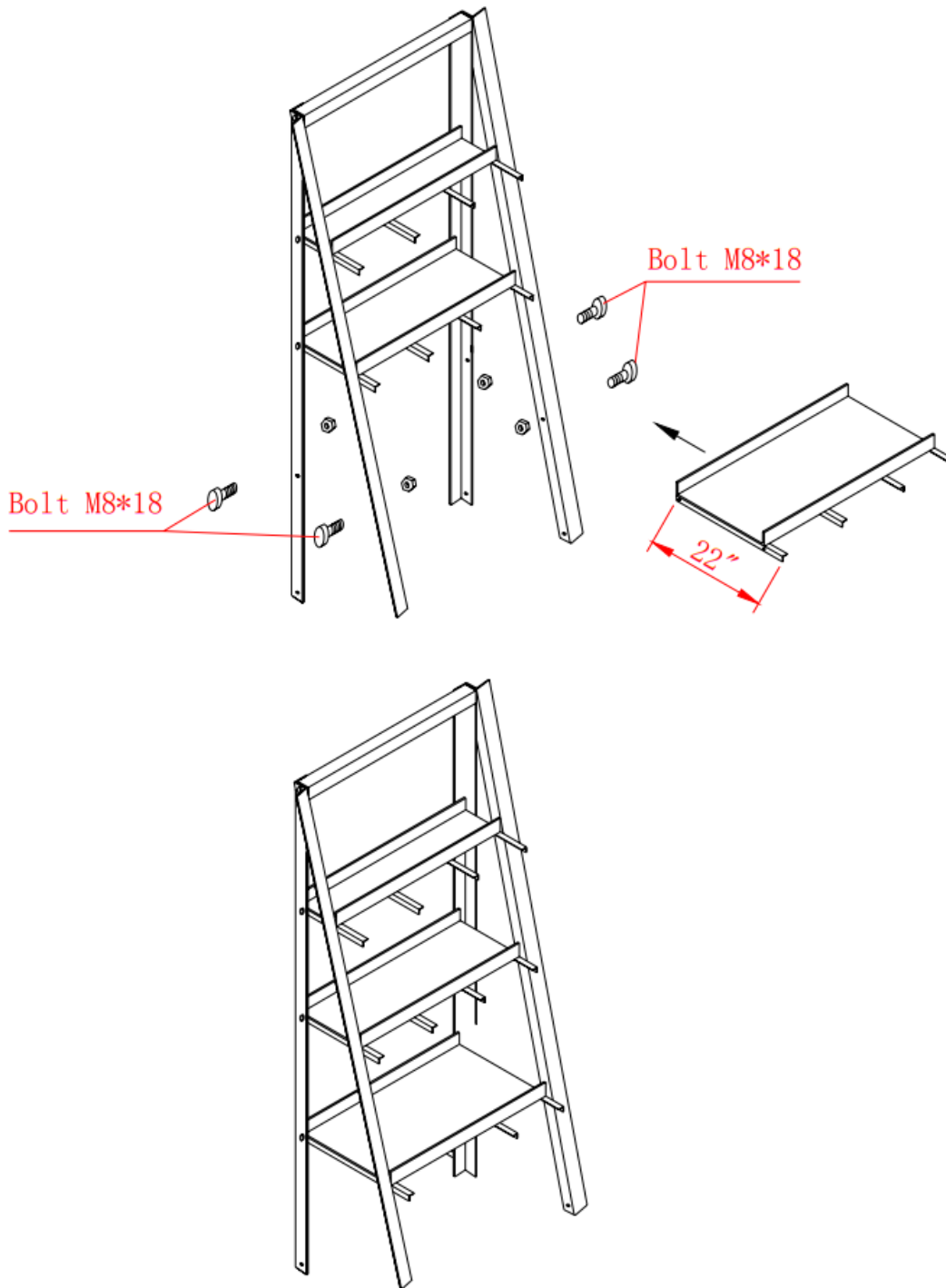
**Step 2.** Add the upper shelf to the assembly. Make sure the dividers face the front (angled side) of the Rack.



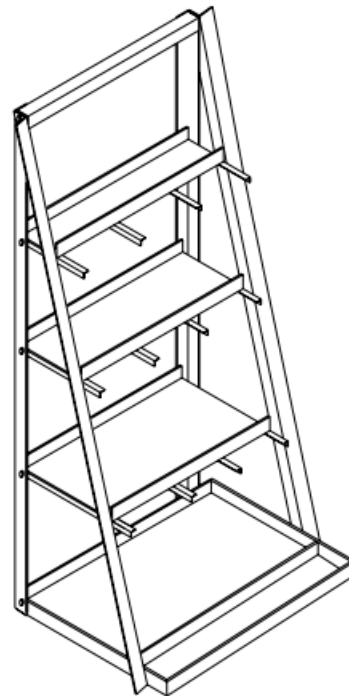
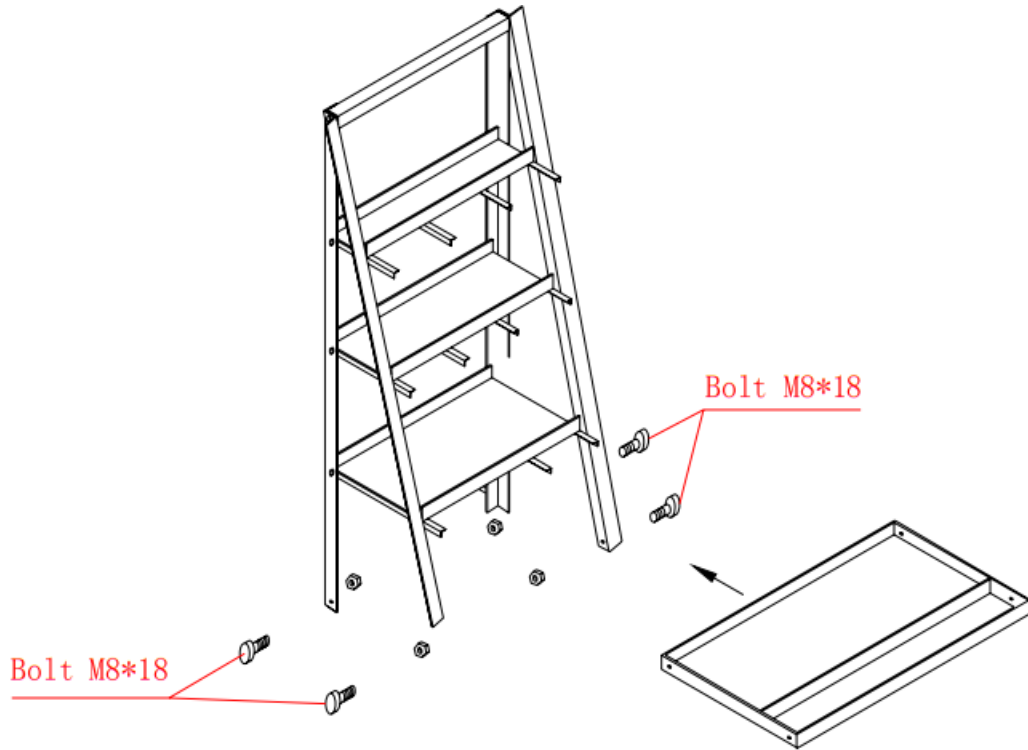
**Step 3.** Add the middle shelf to the assembly. Make sure the dividers face the front of the Rack.



**Step 4.** Add the lower shelf to the assembly. Make sure the dividers face the front of the Rack.

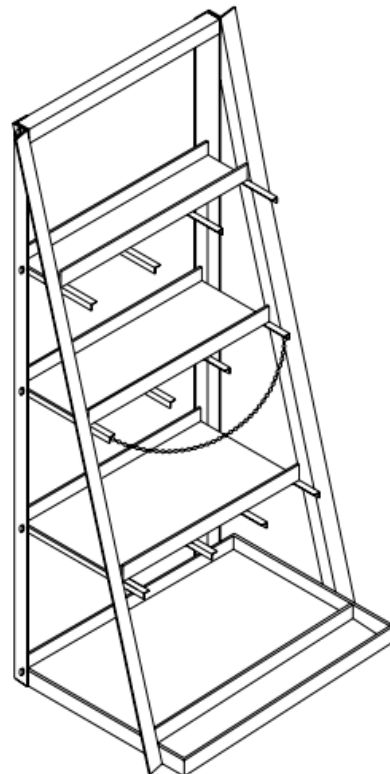
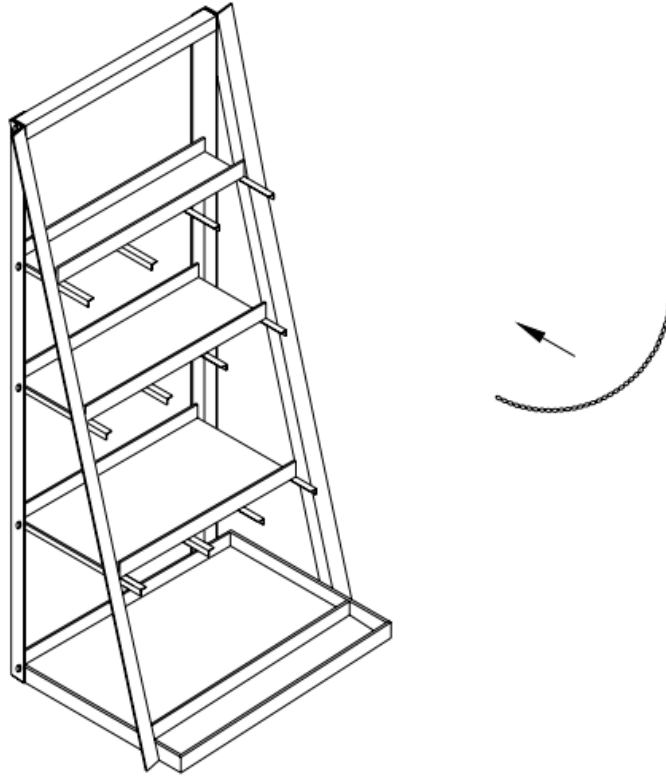


**Step 5.** Add the base pan to the assembly. Make sure the internal divider is on the front side of the Rack. Tighten all of the fasteners to remove all play from the Rack.



**Step 6.** Attach the safety chain to the middle shelf of the Rack.

**Step 7.** Position the Rack in the desired location. Install ½" anchors to secure the Rack to the floor. Contact the factory for anchor kit options suitable for use with the Rack.



## **RECORD OF SATISFACTORY CONDITION**

After assembling and installing the Vertical Bar Rack, and before using it for the first time, make a record describing its appearance. Thoroughly photograph the Rack from multiple angles, including all fasteners and anchor points. Collect all photographs and writings into a file. Mark the file appropriately to identify it. This record documents satisfactory condition. Compare the results of future inspections to this record to determine if the Rack is in satisfactory condition. Do not use the Rack unless it is in satisfactory condition. Purely cosmetic changes, like damaged paint or powder coat, do not constitute changes from satisfactory condition. However, touchup paint should be applied to all affected areas as soon as damage occurs.

## **LOADING**

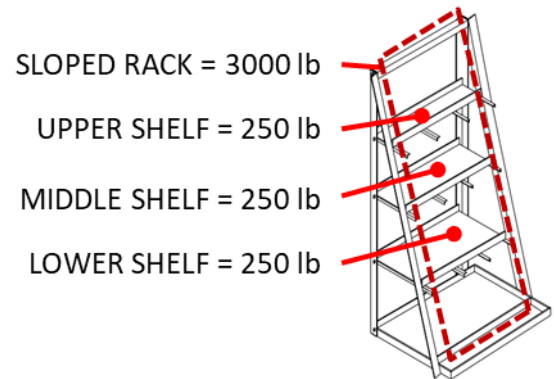
The Rack has a loading capacity of 3000 lb (1360 kg). This is equivalent to a load, consisting of 8-foot-long solid steel bars, filling half of the 6-inch compartment at the front of the base.

In addition, each shelf may be loaded up to 250 pounds.

Always distribute items evenly in the Rack.

DO NOT exceed the capacity of the Rack.

DO NOT the Rack with items longer than eight feet (244 cm) long.



## **INSPECTION AND MAINTENANCE**

Compare inspection results to the Record of Satisfactory Condition. DO NOT use a Rack that is not in satisfactory condition. Never make temporary repairs of damaged or missing parts. If you have questions about the condition of your VBR-9 Rack, contact the Vestil Service and Parts Department at (260) 665-7586. Purely cosmetic changes, such as chipped paint, are not changes from satisfactory condition. However, unprotected steel can rust. Touchup paint should be applied to all areas where the finish is damaged as soon as the damage occurs. If unaddressed, rusting can compromise the integrity of the metal and create a safety hazard.

Inspect the following at least once a month.

- 1. Fasteners.** Check that all fasteners are present and sufficiently tightened. Fasteners should not allow movement.
- 2. Surfaces.** Check all surfaces of the Rack for dirt or other matter, and water or other fluids. Clean all surfaces. Examine the whole structure for rusting, metal erosion, rot, or thinned regions. In particular, examine the areas around bolt holes for rusting and corrosion. If rusting is purely superficial, remove it, clean the affected area, and apply touchup paint. If rusting, rot, or thinning has weakened the base material, contact TECHNICAL SERVICE for advice.
- 3. Anchor Bolts.** Look for significant rusting/corrosion, damaged paint, and other damage around anchor bolts. Make sure that each bolt is solidly attached to the floor.

The Rack comes supplied with metric M8x18 bolts. You may substitute 5/16-18 UNC grade 5 hex head bolts,  $\frac{3}{4}$ " or 1" long. Do not mix metric fasteners with inch fasteners on the Rack.

**LABELING DIAGRAM**

The Vertical Bar Rack should be labeled as shown in the diagrams. However, label content and location are subject to change so your product might not be labeled exactly as shown. Thoroughly photograph the Rack when you first receive it, as discussed in the Record of Satisfactory Condition section on p. xx. Make sure that your record includes a photograph of each label. Replace all labels that are or later become damaged, missing, or not easily readable (e.g. faded).

To order replacement labels, contact the technical service and parts department online at [http://www.vestilmfg.com/parts\\_info.htm](http://www.vestilmfg.com/parts_info.htm). Alternatively, you may request replacement parts and/or service by calling (260) 665-7586 and asking the operator to connect you to the Parts Department.

# VBR



Model VBR-9	
Total Unit Capacity.....	3,000 Lb. (1,000 Lb. per bay)
Maximum Shelf Capacity.....	250 Lb. per shelf
Weight of Rack.....	110 Lb.

**ANCHOR FRAME TO FLOOR** 1054

1254 with 770 overlay



## VERTICAL BAR RACK

6/25/2025

## LIMITED WARRANTY

Vestil Manufacturing Company ("Vestil") warrants this product to be free of defects in material and workmanship during the warranty period. Our warranty obligation is to provide a replacement for a defective, original part covered by the warranty after we receive a proper request from the Warrantee (you) for warranty service.

### Who may request service?

Only a warrantee may request service. You are a warrantee if you purchased the product from Vestil or from an authorized distributor AND Vestil has been fully paid.

### Definition of "original part"?

An original part is a part used to make the product as shipped to the Warrantee.

### What is a "proper request"?

A request for warranty service is proper if Vestil receives: 1) a photocopy of the Customer Invoice that displays the shipping date; AND 2) a written request for warranty service including your name and phone number. Send requests by one of the following methods:

#### US Mail

Vestil Manufacturing Company  
2999 North Wayne Street, PO Box 507  
Angola, IN 46703

#### Fax

(260) 665-1339  
Phone  
(260) 665-7586

#### Email

[info@vestil.com](mailto:info@vestil.com)

Enter "Warranty service request" in subject field

In the written request, list the parts believed to be defective and include the address where replacements should be delivered. After Vestil receives your request for warranty service, an authorized representative will contact you to determine whether your claim is covered by the warranty. Before providing warranty service, Vestil will require you to send the entire product, or just the defective part (or parts), to its facility in Angola, IN.

### What is covered under the warranty?

The warranty covers defects in the following original, dynamic parts: motors, hydraulic pumps, motor controllers, and cylinders. It also covers defects in original parts that wear under normal usage conditions ("wearing parts"), such as bearings, hoses, wheels, seals, brushes, and batteries.

### How long is the warranty period?

The warranty period for original dynamic components is 1 year. For wearing parts, the warranty period is 90 days. Both warranty periods begin on the date Vestil ships the product to the Warrantee. If the product was purchased from an authorized distributor, the periods begin when the distributor ships the product. Vestil may, at its sole discretion, extend a warranty period for products shipped from authorized distributors by up to 30 days to account for shipping time.

### If a defective part is covered by the warranty, what will Vestil do to correct the problem?

Vestil will provide an appropriate replacement for any covered part. An authorized representative of Vestil will contact you to discuss your claim.

### What is not covered by the warranty?

The Warrantee (you) are responsible for paying labor costs and freight costs to return the product to Vestil for warranty service.

### Events that automatically void this Limited Warranty.

- Misuse;
- Negligent assembly, installation, operation or repair;
- Installation/use in corrosive environments;
- Inadequate or improper maintenance;
- Damage sustained during shipping;
- Collisions or other accidents that damage the product;
- Unapproved modifications: Do not modify the product IN ANY WAY without first receiving written authorization from Vestil.

### Do any other warranties apply to the product?

Vestil Manufacturing Company makes no other express warranties. All implied warranties are disclaimed to the extent allowed by law. Any implied warranty not disclaimed is limited in scope to the terms of this Limited Warranty. Vestil makes no warranty or representation that this product complies with any state or local design, performance, or safety code or standard. Noncompliance with any such code or standard is not a defect in material or workmanship.

