

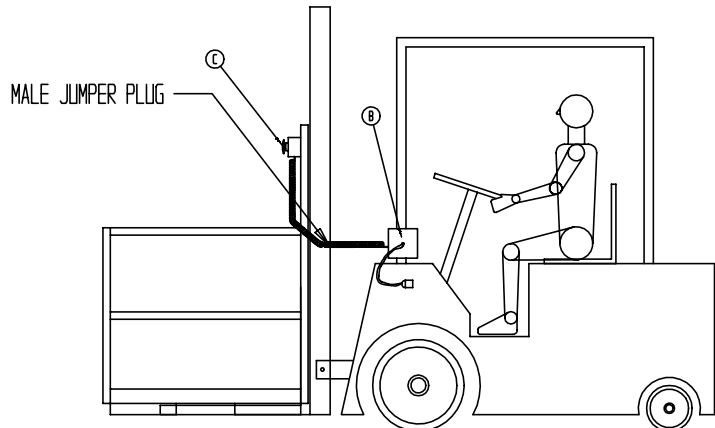
EMERGENCY STOP BUTTON WP-SB

FIGURE C:
WORK PLATFORM
JUNCTION BOX



FIGURE B:
FORK TRUCK
JUNCTION BOX

FIGURE "A"



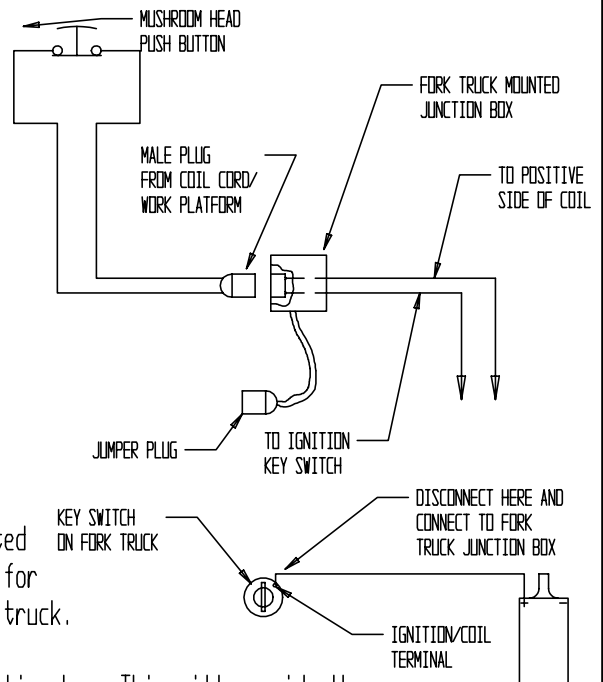
BILL of MATERIALS

ITEM NO.	DESCRIPTION	QUANTITY
1.	1/4 - 20 x 1 MACHINE BOLT	8
2.	1/4 - 20 LOCK NUT	8
3.	1/4 FLAT WASHER	8
4.	1/4 FENDER WASHER	4
5.	FORK TRUCK JUNCTION BOX (PRE-ASSEMBLED)	1
6.	WORK PLATFORM JUNCTION BOX (PRE-ASSEMBLED)	1

GAS POWERED FORK TRUCKS

- 1) Mount the supplied 4" square junction box with the short pig tail near the front of the fork truck (see figure "A") using the 1/4"-20 x 1" machine bolts and lock nuts provided.
- 2) Disconnect the wire on the key switch coming from the ignition coil and attach it to one of the receptacle terminals inside the junction box which was previously mounted on the fork truck.
- 3) Connect a wire from the ignition key switch to the other receptacle terminal inside of the fork truck mounted junction box.
- 4) Mount the "Emergency Stop" junction box inside the work platform within easy reach of the operator/maintenance person.

NOTE: fork trucks powered by Battery or Diesel fuel, contact the FORK TRUCK manufacturer for installation instructions.



OPERATING INSTRUCTIONS

FOR USE WITHOUT THE WORK PLATFORMS ATTACHED:

- 1) Plug the 12" long jumper plug into the fork truck mounted junction box. This will provide the necessary connection for operation without the work platform attached to the fork truck.

FOR USE WITH THE WORKPLATFORM ATTACHED:

- 2) Plug the 20' coil cord into the fork truck mounted junction box. This will provide the necessary connection for operation with the work platform attached. (The mushroom head push button must be pulled out)

INSTALLATION INSTRUCTIONS

DESCRIPTION: INSTRUCTIONS, E-STOP, WP

SCALE: N/A

DATE:

DRAWING NUMBER:

REV:

DRAWN BY: P. ENGLISH

14-126-001