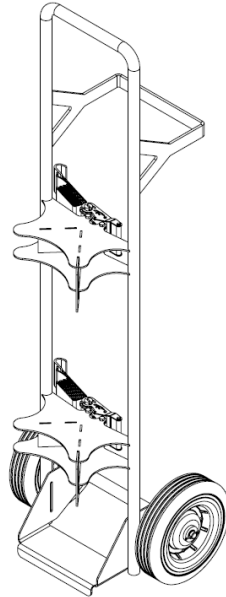




Vestil Manufacturing Corp.
 2999 North Wayne Street, P.O. Box 507, Angola, IN 46703
 Telephone: (260) 665-7586 -or- Toll Free (800) 348-0868
 Fax: (260) 665-1339
 Web: www.vestilmfg.com e-mail: info@vestil.com

WTC-1



Receiving Instructions

After delivery, remove the packaging from the product. Inspect the product closely to determine whether it sustained damage during transport. If damage is discovered, record a complete description of it on the bill of lading. If the product is undamaged, discard the packaging.

NOTE: The end-user is solely responsible for confirming that product design, use, and maintenance comply with laws, regulations, codes, and mandatory standards applied where the product is used.

Technical Service & Replacement Parts

For answers to questions not addressed in these instructions and to order replacement parts, labels, and accessories, call our Technical Service and Parts Department at (260) 665-7586. The Department can also be contacted online at <https://www.vestil.com/page-parts-request.php>.

Electronic Copies of Instruction Manuals

Additional copies of this instruction manual may be downloaded from <https://www.vestil.com/page-manuals.php>.

Table of Contents		Page
Signal Words.....		2
Safety Instructions.....		2
Exploded View and Bill of Materials.....		3
Using the Truck.....		3
Record of Satisfactory Condition.....		4
Inspections & Maintenance.....		4
Labeling Diagram.....		5
Limited Warranty.....		6

SIGNAL WORDS

This manual uses SIGNAL WORDS to indicate the likelihood that a particular action will cause personal injuries or property damage. Signal words also specify the level of seriousness of injury if the product is misused in the ways described. The following signal words are used in this manual.



Identifies a hazardous situation which, if not avoided, WILL result in DEATH or SERIOUS INJURY. Use of this signal word is limited to the most extreme situations.



Identifies a hazardous situation which, if not avoided, COULD result in DEATH or SERIOUS INJURY.



Indicates a hazardous situation which, if not avoided, COULD result in MINOR or MODERATE injury.



Identifies practices likely to result in product/property damage, such as operation that might damage the product.

SAFETY INSTRUCTIONS

Vestil strives to identify all foreseeable hazards associated with the use of its products. Material handling is dangerous and no manual can address every conceivable risk. Ultimately, the most effective way to prevent injury is to apply sound judgment whenever using this device.



Improper or careless use of this product could result in death or serious personal injuries.

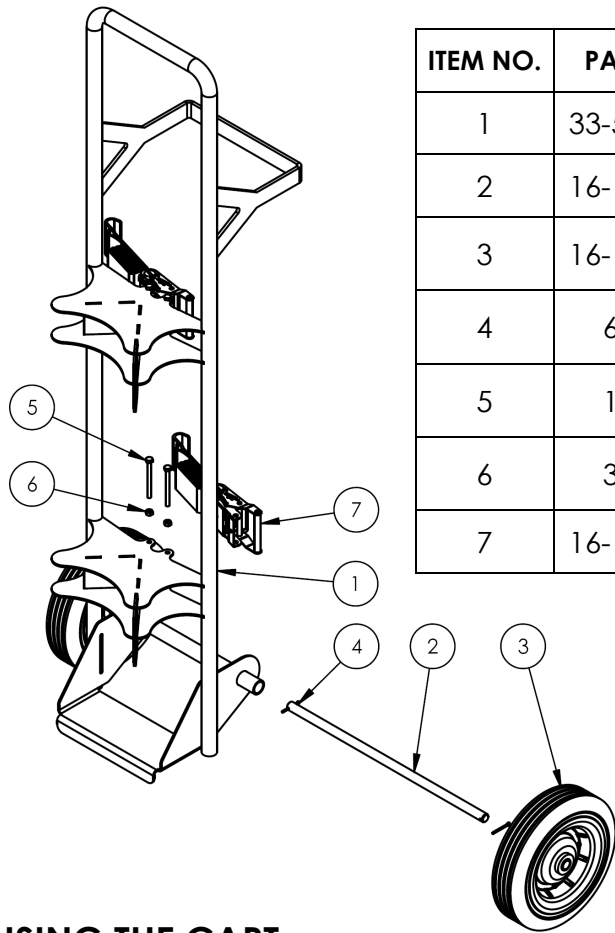
- *Read and understand the entire manual before assembling, installing, using or servicing the product.* Read the manual to refresh your understanding of proper use and maintenance procedures.
- DO NOT attempt to resolve any problem(s) with the product unless you are both authorized to do so and certain that it will be safe to use afterwards.
- DO NOT modify the product in any way UNLESS you first obtain written approval from Vestil. Unapproved modifications automatically void the **LIMITED WARRANTY** and might make the product unsafe to use.
- DO NOT exceed the capacity: pounds (kg). Capacity information is provided in on-product labeling. See Label 1153 in the **LABELING DIAGRAM** on p. 4.
- Inspect the product according to the instructions in **INSPECTIONS & MAINTENANCE**. DO NOT use the product unless it is in **SATISFACTORY CONDITION**.
- DO NOT use this device UNLESS all product labels are readable and undamaged. See **LABELING DIAGRAM**.



Proper use, maintenance, and storage are essential for this product to function properly.

- Always use this product in accordance with the instructions in this manual and consistent with any training relevant to machines, devices, etc. used in conjunction with this product.
- Keep the product clean & dry. Lubricate moving parts.
- FOR HYDRAULIC UNITS: Do not use brake fluid or jack oils in the hydraulic system. If oil is needed, use an anti-wear hydraulic oil with a viscosity grade of 150 SUS at 100°F, (ISO 32 cSt @ 40°C), or Dexron transmission fluid.
- Contact the manufacturer for SDS documentation.

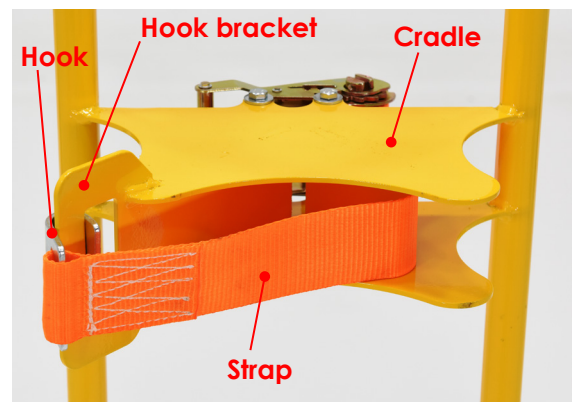
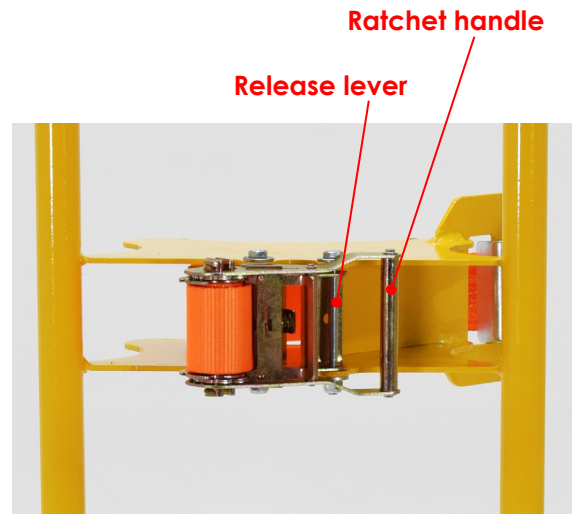
EXPLODED VIEW AND BILL OF MATERIALS



ITEM NO.	PART NO.	DESCRIPTION	QTY.
1	33-514-224	WELDMENT, FRAME	1
2	16-112-031	AXLE, ROD	1
3	16-132-310	WHEEL, Ø10" x 2 1/2", 16mm STEEL HUB	2
4	65078	EXTENDED PRONG COTTER PIN, ZINC FINISH, 1/8" x 1 1/2"	2
5	11015	HEX BOLT, GRADE A, ZINC PLATED, 1/4"-20 X 3"	4
6	37018	NYLON LOCK NUT, GRADE 2, ZINC FINISH, 1/4"-20	4
7	16-145-018	2" x 36" STRAP WITH RATCHET	2

USING THE CART

1. Position the cart so that the cylinder firmly contacts the cylinder cradles.
2. Release the ratchet to extend the strap. To release the ratchet, pull the release lever toward the (ratchet) handle and hold it. Pivot the ratchet handle approximately 180 degrees. Let go of the release lever. Pull the strap to unwind it from the spool.
3. Wrap the ratchet straps around the cylinder and connect the hooks to the hook brackets.
4. Tighten each strap against the cylinder by moving the handle back-and-forth.
5. Brace a foot against the axle channel. Grasp the operator handle and pull it toward you. Push the truck to the destination. When loaded, the truck should only be used on even, level ground. Do not traverse sloped ground unless you are able to easily control the truck. Always remain upslope of the truck if you must traverse sloped ground.
6. To remove a cylinder from the cart, release strap tension by following the procedure described in step 2 (above).



RECORD OF SATISFACTORY CONDITION (THE “RECORD”)

Before the unit enters service, make a detailed record of its condition. Include observations about all features. Thoroughly photograph the unit from multiple angles so that all features are clearly imaged. Include close range photographs of the cylinder cradles, ratchets and straps, wheels, the cylinder support, and all fasteners (pins, bolts, nuts, etc.). Photograph all labels applied to the product. Describe where each label is located. Collect all photographs and writings in a single file. This file is a record of the product in satisfactory condition. Compare the results of each inspection to this [RECORD](#) to determine if the unit is in satisfactory condition. Do not use the cart unless it is in satisfactory condition.

INSPECTIONS AND MAINTENANCE

Inspections and repairs should only be performed by qualified persons. Compare each inspection to the [RECORD OF SATISFACTORY CONDITION](#). Do not use the truck unless all parts are in satisfactory condition. Replace all parts that are not in satisfactory condition before returning the truck to service. **DON'T GUESS! If you have any questions about the condition of your truck, contact the [TECHNICAL SERVICE](#) department.** The phone number is provided on the cover page of this manual. *Never make temporary repairs of damaged or missing parts.* Only use manufacturer-approved replacement parts to restore the truck to satisfactory condition.

Every lift

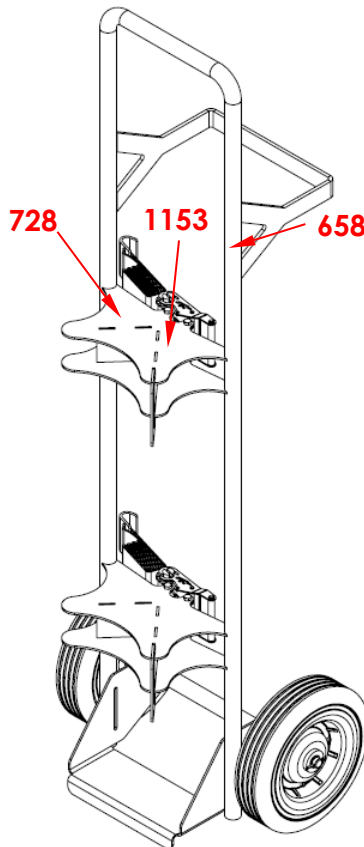
Inspect the truck and cylinder surfaces before each use for damage, severe wear, or significant corrosion or rusting. Check the ratchet straps for tears, fraying, and other damage.

Monthly Inspections – At least once per month a qualified person must perform the following inspections. Written reports should be prepared for every monthly inspection.

1. Surfaces – Check all surfaces of the truck for dirt or other matter, especially fluids. Clean the truck with a mild soap and water solution.
2. Hardware, fasteners – Examine hardware & fasteners (bolts, lock nuts, cotter pins). Replace damaged/worn hardware.
3. Wheels and axle – Check each wheel and wheel hub for damage such as cracks, or significant or uneven wear. Inspect the axle rod for bends, cracks, rusting or corrosion.
4. Frame – Examine the frame for wear, breaks, corrosion/rusting, metal fatigue, and other forms of damage, e.g. impact damage.
5. Ratchet assemblies and straps – Check the ratchets and ratchet straps. Confirm normal operation. Replace damaged straps and ratchets.
6. Labels – Replace labels that are damaged, missing, or not easily readable from a reasonable distance. See [LABELING DIAGRAM](#) on p. 5.
7. Overall structure – Examine the whole structure for rusting or metal erosion, rot, thinned regions. In particular, examine the cylinder support and the axle pin channel, and. If rusting is purely superficial, remove the rust/corrosion. Clean the affected area and apply touchup paint. If rusting, rot, or thinning has weakened the material, contact [TECHNICAL SERVICE](#) for advice.

LABELING DIAGRAM

Label content and locations are subject to change so your product might not be labeled exactly as shown. Compare this diagram to the [RECORD](#). If differences exist between the diagram and the [RECORD](#), contact [TECHNICAL SERVICE](#). Replace all labels that are damaged, missing, or not easily readable (e.g. faded). To order replacement labels, contact the technical service and parts department online at http://www.vestilmfg.com/parts_info.htm. Alternatively, you may request replacement parts and/or service by calling (260) 665-7586 and asking the operator to connect you to the Parts Department.



LABEL 658

⚠ WARNING	⚠ ADVERTENCIA	⚠ AVERTISSEMENT
Do not operate or move with unstable loads DO NOT LOAD beyond rated capacity DISTRIBUTE LOAD EVENLY DO NOT sit or ride	No use a mueva con cargas inestables No cargue mas de la capacidad tasada DISTRIBUYA LA CARGA A NIVEL NO SE SIENTE o vaya en el carro	Ne pas utiliser avec une charge instable NE PAS CHARGER au-delà du débit nominale DISTRIBUER la charge régulièrement NE PAS VOUS ASSEoir OU VOUS PROMENER sur le chariot

LABEL 728

⚠ WARNING

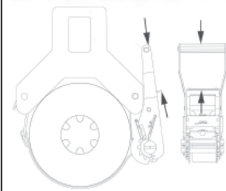
Mishandling or careless handling of compressed gas cylinders might result in serious personal injuries.

- Inspect winch, cable, cylinder cradle, ratchet and strap for damage or excessive wear before each use.
- DO NOT use if damaged.
- DO NOT leave a raised cylinder unattended or attempt to transport a raised cylinder. Cylinder should rest firmly on lifter base.
- DO NOT store cylinders on lifter.
- To release ratchet, squeeze release lever and swing handle.

⚠ AVISO

El uso incorrecto o el manejo de los cilindros de gas comprimidos pueden resultar en daños personales severos.

- Inspeccione la llave, el cable, la cuna del cilindro, y amaras por daños o uso excesivos antes de usarlos.
- NO USE si esta dañado.
- No deje el cilindro sin atención cuando este en la posición elevada. El cilindro tiene que estar firme sobre la base del levantador.
- No almacene los cilindros en la levantador.
- Para soltar el agarre, oprima la palanca de agarre y menear la agarradera.



728

LABEL 1153

MODEL / MODÉLO / MODÈLE _____
WEIGHT / PESO / MASS _____
CAPACITY / CAPACIDAD / CAPACITÉ _____
SERIAL / SERIE / SÉRIE _____
UNITS: 2.2 lb. = 1kg 1" (or 1in.) = 2.54cm 1153



LIMITED WARRANTY

Vestil Manufacturing Corporation ("Vestil") warrants this product to be free of defects in material and workmanship during the warranty period. Our warranty obligation is to provide a replacement for a defective, original part covered by the warranty after we receive a proper request from the Warrantee (you) for warranty service.

Who may request service?

Only a warrantee may request service. You are a warrantee if you purchased the product from Vestil or from an authorized distributor AND Vestil has been fully paid.

Definition of "original part"?

An original part is a part used to make the product as shipped to the Warrantee.

What is a "proper request"?

A request for warranty service is proper if Vestil receives: 1) a photocopy of the Customer Invoice that displays the shipping date; AND 2) a written request for warranty service including your name and phone number. Send requests by one of the following methods:

<u>US Mail</u>	<u>Fax</u>	<u>Email</u>
Vestil Manufacturing Corporation 2999 North Wayne Street, PO Box 507 Angola, IN 46703	(260) 665-1339 <u>Phone</u> (260) 665-7586	info@vestil.com Enter "Warranty service request" in subject field.

In the written request, list the parts believed to be defective and include the address where replacements should be delivered. After Vestil receives your request for warranty service, an authorized representative will contact you to determine whether your claim is covered by the warranty. Before providing warranty service, Vestil will require you to send the entire product, or just the defective part (or parts), to its facility in Angola, IN.

What is covered under the warranty?

The warranty covers defects in the following original, dynamic parts: motors, hydraulic pumps, motor controllers, and cylinders. It also covers defects in original parts that wear under normal usage conditions ("wearing parts"), such as bearings, hoses, wheels, seals, brushes, and batteries.

How long is the warranty period?

The warranty period for original dynamic components is 90 days. For wearing parts, the warranty period is 90 days. Both warranty periods begin on the date Vestil ships the product to the Warrantee. If the product was purchased from an authorized distributor, the periods begin when the distributor ships the product. Vestil may, at its sole discretion, extend a warranty period for products shipped from authorized distributors by up to 30 days to account for shipping time.

If a defective part is covered by the warranty, what will Vestil do to correct the problem?

Vestil will provide an appropriate replacement for any covered part. An authorized representative of Vestil will contact you to discuss your claim.

What is not covered by the warranty?

The Warrantee (you) are responsible for paying labor costs and freight costs to return the product to Vestil for warranty service.

Events that automatically void this Limited Warranty.

- Misuse;
- Negligent assembly, installation, operation or repair;
- Installation/use in corrosive environments;
- Inadequate or improper maintenance;
- Damage sustained during shipping;
- Collisions or other accidents that damage the product;
- Unauthorized modifications: Do not modify the product IN ANY WAY without first receiving written authorization from Vestil.

Do any other warranties apply to the product?

Vestil Manufacturing Corp. makes no other express warranties. All implied warranties are disclaimed to the extent allowed by law. Any implied warranty not disclaimed is limited in scope to the terms of this Limited Warranty. Vestil makes no warranty or representation that this product complies with any state or local design, performance, or safety code or standard. Noncompliance with any such code or standard is not a defect in material or workmanship.