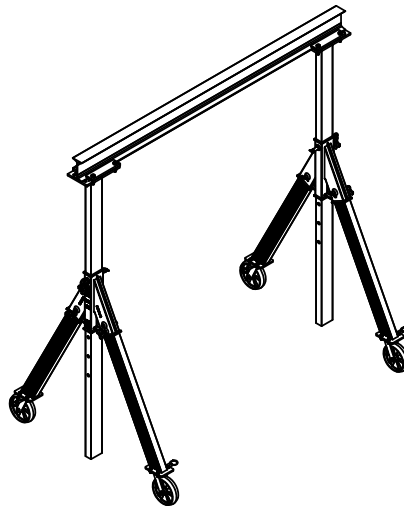


Adjustable Aluminum Gantry Crane Survey Sheet -AHA

Inquiry Date: _____ Due Date: _____
 Contact: _____
 Company: _____
 Phone: _____
 Fax: _____
 E-mail: _____



Base Model (if known): _____

Capacity: _____

Beam Length: _____

Overall Height Clearance: _____

Overall Work Envelope: _____

_____ Portable: Caster Type: _____ Standard _____ Other

_____ Stationary: Floor Mount: _____

Loading Application: _____

Options:	
_____ Trolley:	_____ Manual _____ Geared
_____ Hoist:	_____ Manual _____ Electric: (1 ϕ OR 3 ϕ)
_____ Festoon Kit	_____ V-Track (10' LG)
_____ Power Traction Drive	
_____ Come-Along Kit	

Additional Notes: _____

Quote options:
 _____ Exactly as specified _____ Cheapest / Closest to Vestil standard
 _____ Quickest to ship
 Requested Delivery Date: _____

*All options may not be available on all models

Vestil Manufacturing Company * Angola, IN 46703 * Ph- 260-665-7586 * Fx- 260-665-1339