

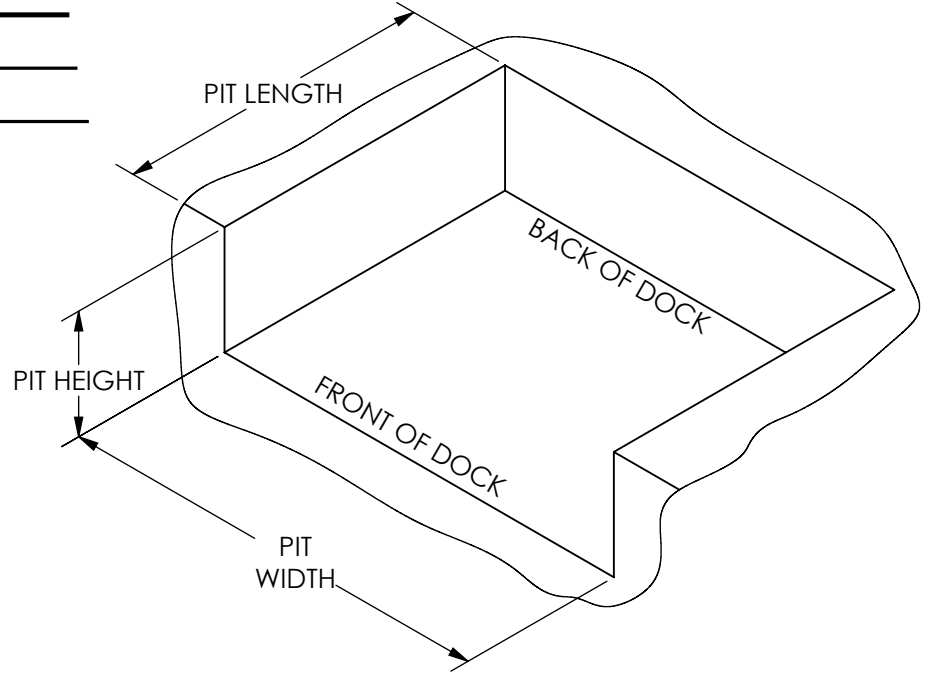
DOCKLEVELER SURVEY SHEET

Inquiry Date: _____ **Due Date:** _____
Contact: _____
Company: _____
Phone: _____
Fax: _____
E-mail: _____

PLEASE CHOOSE THE DESIRED DOCKLEVELER TYPE:

MECHANICAL (RR) _____
OR
ELECTRIC HYDRAULIC (EH) _____

PIT SIZE
 Width: _____
 Length: _____
 Height (@ front): _____
 Height (@ rear): _____



PLEASE CIRCLE SPECIFICATIONS (EH DOCKLEVELERS ONLY):

POWER	<input checked="" type="checkbox"/> AC	<input type="checkbox"/> DC	<input type="checkbox"/> AIR/OIL	
MOTOR VOLTAGE	<input type="checkbox"/> 115	<input type="checkbox"/> 208	<input type="checkbox"/> 230	<input type="checkbox"/> 460
DEDICATED CIRCUIT REQUIRED				
MOTOR PHASE	<input type="checkbox"/> SINGLE		<input type="checkbox"/> THREE	
CONTROL	<input type="checkbox"/> HAND		<input type="checkbox"/> FOOT	
NOTE: 460V 3 PHASE IS STANDARD				

CAPACITY: _____

PREVIOUS QUOTE OR ORDER #: _____

OPTIONS:

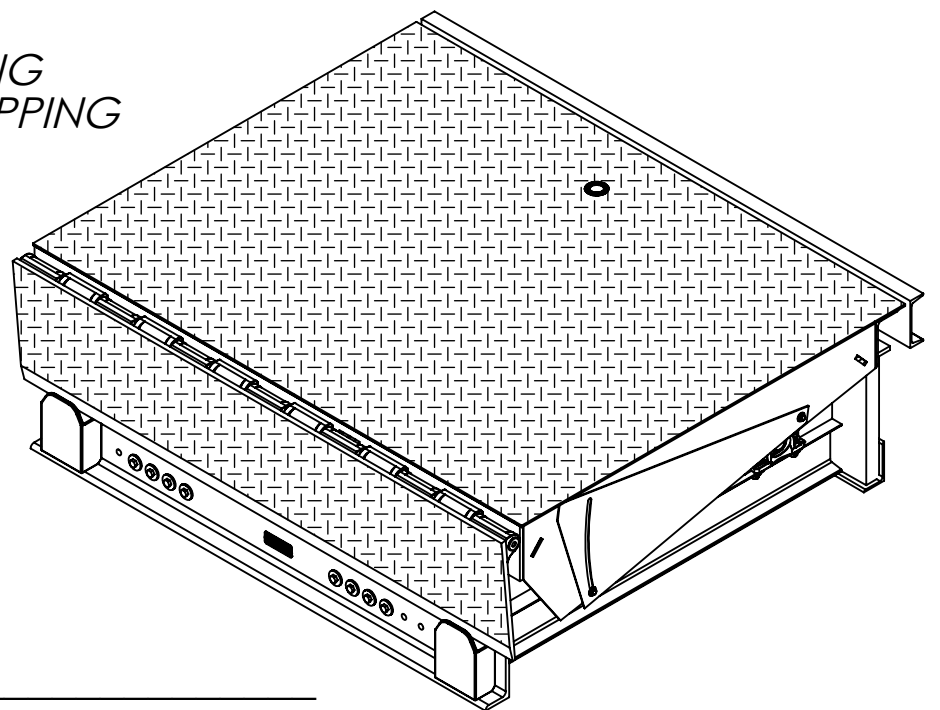
- _____ **SPO** (SHALLOW PIT OPTION): ANY PIT SHALLOWER THAN 24"; 17 1/2" MIN. DEPTH
- _____ **18"LIP/6:** 18"L LIP FOR 6' WIDE DOCKLEVELER
- _____ **18"LIP/7:** 18"L LIP FOR 7' WIDE DOCKLEVELER
- _____ **ES:** MECHANICAL EMERGENCY STOP (RR UNITS ONLY)
- _____ **CWHF-MD:** COLD WEATHER OIL (EH UNITS ONLY)
- _____ **VCC-115-1:** VOLTAGE CHANGE OPTION TO 115V SINGLE PHASE AC POWER
- _____ **VCC-208/230-1:** VOLTAGE CHANGE OPTION TO 208/230V SINGLE PHASE AC POWER
- _____ **VCC-208/230-3:** VOLTAGE CHANGE OTPION TO 208/230V THREE PHASE AC POWER
- _____ **EH-ROG:** ROLL OFF GUARD OPTION (EH UNITS ONLY, UP TO 40,000 LBS.)
- _____ **CAS:** CURB ANGLE SET
- _____ **SS:** STEEL SHELL FOR POUR IN PLACE INSTALLATION
- _____ **FI:** UNDER-DECK FOAM INSULATION
- _____ **DUAL VINYL WEATHERSTRIPPING**
- _____ **1" REPLACEABLE BRUSH WEATHERSTRIPPING**
- _____ **1 1/2" REPLACEABLE BRUSH WEATHERSTRIPPING**

SPECIAL REQUESTS:

Additional Notes:

Quote options:

_____ Exactly as specified _____ Cheapest / Closest to Vestil standard
 _____ Quickest to ship
 Requested Delivery Date: _____



*All options may not be available on all models