

HINGE TILT TABLE - EHTT

Inquiry Date: _____ Due Date: _____
Contact: _____
Company: _____
Phone: _____
Fax: _____
 E-mail: _____

PREVIOUS ORDER NUMBER OR
 QUOTE NUMBER, IF APPLICABLE:

PLATFORM SIZE

Not Critical

Overall Width: _____
 Overall Length: _____
 Usable Width: _____
 Usable Length: _____

BASE WIDTH

Not Critical

Width: _____
 Length: _____

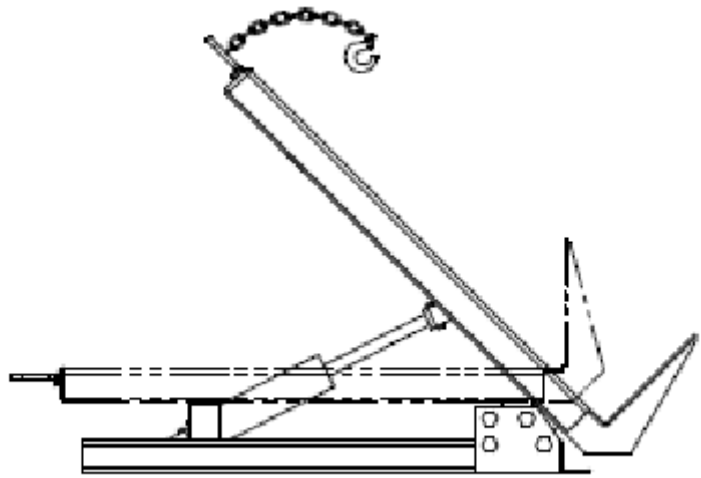
Travel: (Lift only)

Lowered Ht.: _____
 Raised Ht.: _____

Table Capacity:

Tilt Options:

Tilting Deck
 _____ 45deg (STD) _____ 90 deg (SEE EHLTT-H) _____ Other _____



POWER (Check One)

_____ A/C (110V _____ 220V _____ 460V _____ Other _____)
 _____ Single Phase _____ Three Phase
 _____ Air/Hydraulic
 _____ Rotary Air / Oil
 _____ No with no electrical Switches
 _____ No power unit

Controls: (HAND _____ FOOT _____ NONE _____)
 Power Unit: EXTERNAL _____ INTERNAL _____
 IF External - Length on Cords (8' STD) _____

Options:

_____ Accordion Skirting (Bellows) _____ 1 piece (Lower) _____ 2 piece (Upper & Lower)
 _____ Special Color: _____ RAL #: _____
 _____ Surface Mt.
 Additional options: _____

PRODUCT INFO

Load / Product type:
 Basket / Pallet / Gaylord / Skid
 Other: _____

Product Size:
 Length: _____
 Width: _____
 Height: _____

Does container have feet? _____
 Does container have drop sides?
 Yes / No

Application Information:

Duty Cycle (High Cycle?): _____
 Number of shifts: _____
 Special Temperature requirements: _____
 Minimum Working Temperature: _____
 Side Loading: _____
 Special Loading and Unloading Requirements: _____

Additional Notes:

Quote options:

_____ Exactly as specified _____ Cheapest / Closest to Vestil standard
 _____ Quickest to ship
 Requested Delivery Date: _____

*All options may not be available on all models

Vestil Manufacturing Company * Angola, IN 46703 * Ph- 260-665-7586 * Fax- 260-665-1339