

**CUSTOMER INFORMATION**

CONTACT: \_\_\_\_\_  
 COMPANY: \_\_\_\_\_  
 PHONE: \_\_\_\_\_  
 EMAIL: \_\_\_\_\_

**CONTAINER TYPE & SIZE**

CIRCLE ONE OR MORE:  
 BASKET      PALLET      GAYLORD      OTHER  
 IF OTHER, PLEASE DESCRIBE: \_\_\_\_\_

LENGTH: \_\_\_\_\_      WIDTH: \_\_\_\_\_  
 HEIGHT: \_\_\_\_\_      DIAMETER: \_\_\_\_\_

STANDARD CHUTE IS 52"W x 50"L. IF SPECIAL CHUTE SIZE IS REQUIRED, PLEASE INDICATE IDEAL CHUTE DIMENSIONS:

WIDTH: \_\_\_\_\_      LENGTH: \_\_\_\_\_

**STANDARD FEATURES**

DUMP HEIGHT AND HOLD DOWN BAR HEIGHTS (CIRCLE ONE):	36"	48"	60"
	18" - 36"	18" - 42"	18" - 50"
CAPACITY (CIRCLE ONE):	2,000 LBS.	4,000 LBS.	6,000 LBS.

**OPTIONS (LIST ALL THAT APPLY)**

SPECIAL DUMP HEIGHT: \_\_\_\_\_  
 SPECIAL CAPACITY: \_\_\_\_\_  
 SPECIAL HOLD DOWN BAR HEIGHTS: \_\_\_\_\_  
 TAPERED CHUTE (LIST OPENING WIDTH): \_\_\_\_\_  
 SPECIAL COLOR (STANDARD BLUE): \_\_\_\_\_  
 STAINLESS STEEL CHUTE: \_\_\_\_\_

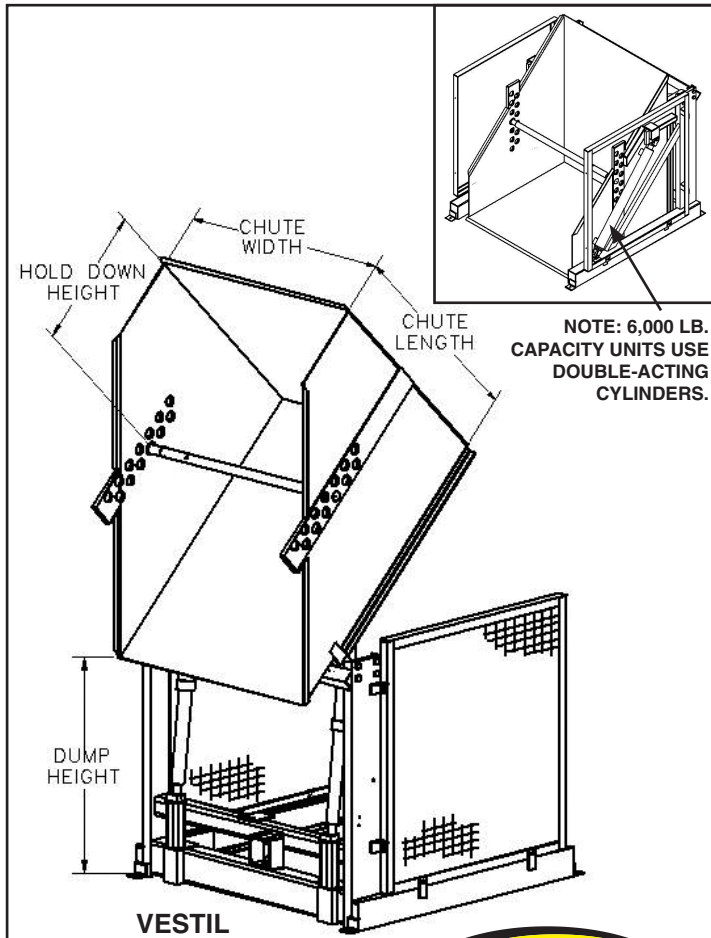
**POWER (460V, 3 PHASE STANDARD) IF CUSTOM, INDICATE BELOW**

\_\_\_\_ A/C (110V \_\_\_\_ 220V \_\_\_\_ 460V \_\_\_\_ OTHER \_\_\_\_)  
 \_\_\_\_ SINGLE PHASE \_\_\_\_ THREE PHASE  
 \_\_\_\_ ROTARY AIR / HYDRAULIC (80 CFM @ 80 PSI, 1/2 GPM)  
 CONTROLS: \_\_\_\_ HAND \_\_\_\_ FOOT \_\_\_\_ AUTOMATED  
 POWER UNIT: \_\_\_\_ EXTERNAL \_\_\_\_ INTERNAL (STANDARD) \_\_\_\_ SIDE MTG.  
 IF EXTERNAL, LENGTH OF CORDS (8' STD): \_\_\_\_\_  
 IF ANY OTHER SPECIAL POWER OR CONTROLS ARE REQUIRED, PLEASE INDICATE: \_\_\_\_\_

**APPLICATION INFORMATION**

DUTY CYCLE:      STARTS PER HOUR: \_\_\_\_\_      HOURS PER SHIFT: \_\_\_\_\_  
 SHIFTS PER DAY: \_\_\_\_\_      DAYS PER WEEK: \_\_\_\_\_  
 DUTY CYCLE IS CALCULATED BY STARTS PER HOUR OR NUMBER OF TIMES "UP" BUTTON IS PUSHED. JOGGING (BOUNCING OF CHUTE) IS NOT RECOMMENDED.  
 ANTICIPATED CYCLE TIME: \_\_\_\_\_  
 SPECIAL TEMPERATURE REQUIREMENTS: \_\_\_\_\_  
 ARE THERE OVERHEAD HEIGHT RESTRICTIONS? \_\_\_\_\_  
 IS THIS A HAZARDOUS LOCATION? IF YES: CLASS: \_\_\_\_\_ DIV: \_\_\_\_\_ GROUP: \_\_\_\_\_  
 OTHER SPECIAL REQUESTS OR APPLICATION INFORMATION: \_\_\_\_\_

# HBD BOX DUMPER SURVEY SHEET



**VESTIL**  
 MANUFACTURING  
 2999 N. WAYNE ST.  
 ANGOLA, IN 46703  
 Ph: 260-665-7586  
 Fax: 260-665-1339



Is this a repeat quote or repeat order? If yes, please indicate  
 Prev. Quote No.: \_\_\_\_\_ Prev. Order No.: \_\_\_\_\_