

High-Cycle Drum Crusher / Compactor Survey Sheet -HDC-905-HC

Inquiry Date: _____ Due Date: _____
 Contact: _____
 Company: _____
 Phone: _____
 Fax: _____
 E-mail: _____

PAIN T COLOR

_____ STANDARD ERGO BLUE
 _____ RAL #
 _____ SPECIAL COLOR
 _____ COLOR NAME

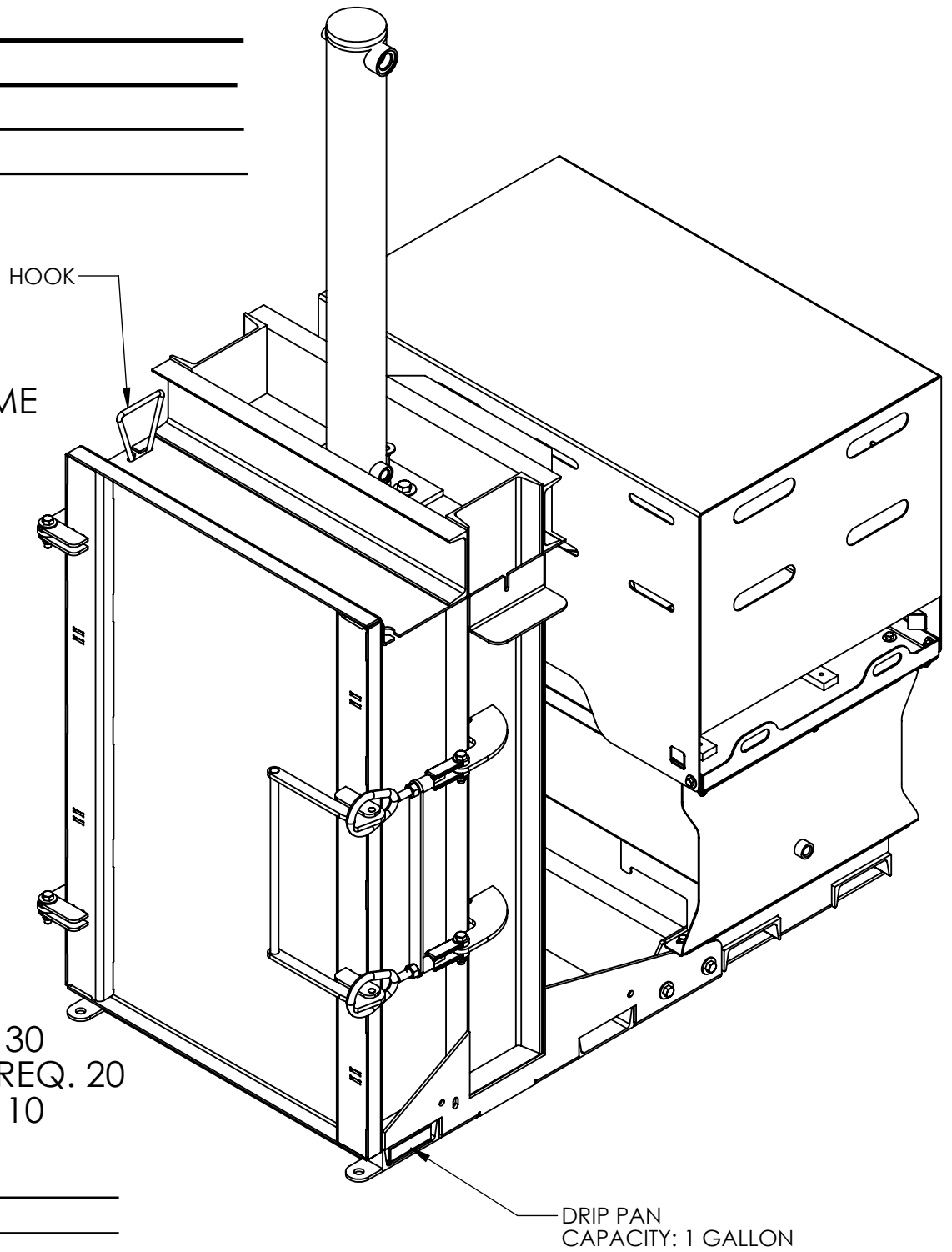
CONTAINER SIZE

_____ 55 GALLON DRUM
 _____ 30 GALLON DRUM
 _____ Other
 IF NOT STANDARD DRUM SIZE/STYLE
 PLEASE DESCRIBE: _____

DRUM MATERIAL: _____
 *STRAIGHT SIDED DRUMS CANNOT BE
 CRUSHED

POWER (Check One)

A/C
 _____ 220V, 1-PHASE, AMP HOUR REQ. 30
 _____ 208-230V, 3-PHASE, AMP HOUR REQ. 20
 _____ 460V, 3-PHASE, AMP HOUR REQ. 10
 _____ Other



DUTY CYCLE: STARTS PER HOUR: _____ HOURS PER SHIFT: _____
 SHIFTS PER DAY: _____ DAYS PER WEEK: _____
 *DUTY CYCLE IS CALCULATED BY STARTS PER HOUR OR NUMBER OF TIMES "UP" BUTTON IS PUSHED

OPTIONS:

_____ WASH DOWN, HDC-905-WD
 _____ GAS POWERED/PORTABLE, HDC-900-GPT
 ADDITIONAL OPTIONS: _____

Application / Additional Notes:

Quote options:

_____ Exactly as specified _____ Least Expensive / Closest to Vestil standard
 _____ Quickest to ship
 Requested Delivery Date: _____

*NO DRUM CRUSHERS FOR CLASSIFIED LOCATIONS

*All options may not be available on all models

Vestil Manufacturing Company * Angola, IN 46703 * Ph- 260-665-7586 * Fx- 260-665-1339