

# Hydraulic Drum Crusher/Compactor Survey Sheet -HDC-905-IDC

Inquiry Date: \_\_\_\_\_ Due Date: \_\_\_\_\_

Contact: \_\_\_\_\_

Company: \_\_\_\_\_

Phone: \_\_\_\_\_

Fax: \_\_\_\_\_

E-mail: \_\_\_\_\_

### PAINT COLOR

\_\_\_\_\_ STANDARD ERGO BLUE

\_\_\_\_\_ RAL #

\_\_\_\_\_ SPECIAL COLOR

\_\_\_\_\_ COLOR NAME

### CONTAINER SIZE

\_\_\_\_\_ 55 GALLON DRUM

\_\_\_\_\_ 30 GALLON DRUM

\_\_\_\_\_ Other

IF NOT STANDARD DRUM SIZE/STYLE  
PLEASE DESCRIBE: \_\_\_\_\_

\_\_\_\_\_  
\_\_\_\_\_  
\_\_\_\_\_

### DRUM MATERIAL:

\*STRAIGHT SIDED DRUMS CANNOT BE  
CRUSHED

### POWER (Check One)

A/C

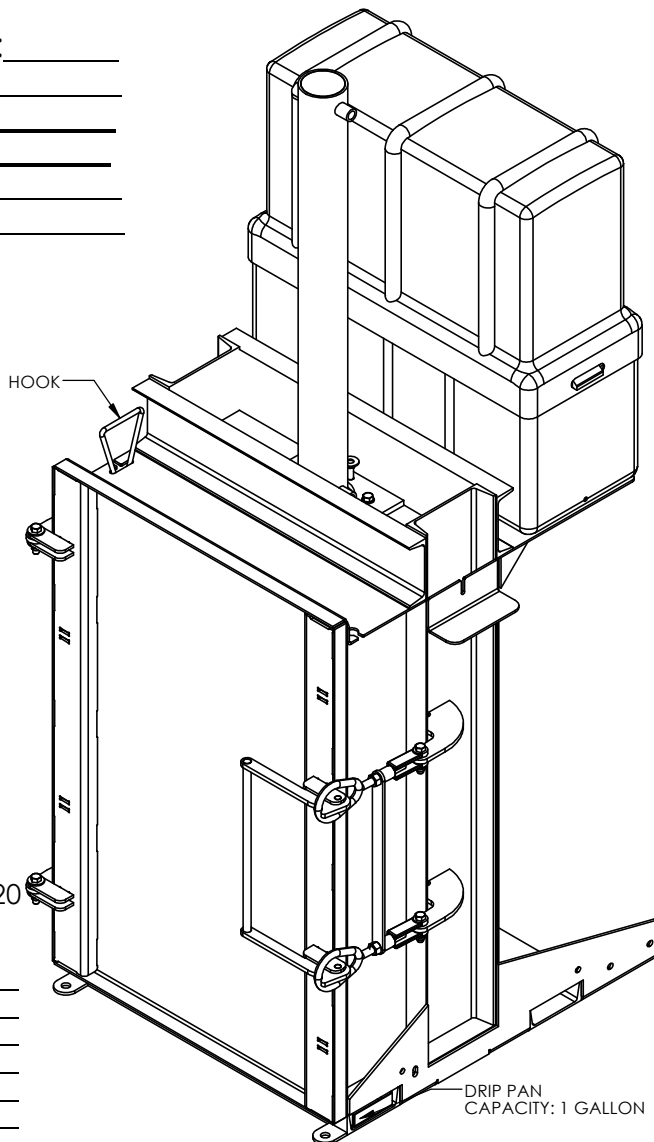
\_\_\_\_\_ 220V, 1-PHASE, AMP HOUR REQ. 30

\_\_\_\_\_ 208-230V, 3-PHASE, AMP HOUR REQ. 20

\_\_\_\_\_ 460V, 3-PHASE, AMP HOUR REQ. 10

\_\_\_\_\_ Other

\_\_\_\_\_  
\_\_\_\_\_  
\_\_\_\_\_  
\_\_\_\_\_  
\_\_\_\_\_



**DUTY CYCLE:** STARTS PER HOUR: \_\_\_\_\_

HOURS PER SHIFT: \_\_\_\_\_

SHIFTS PER DAY: \_\_\_\_\_

DAYS PER WEEK: \_\_\_\_\_

\*DUTY CYCLE IS CALCULATED BY STARTS PER HOUR OR NUMBER OF TIMES "UP" BUTTON IS PUSHED

### OPTIONS:

\_\_\_\_\_ HIGH CYCLE, HDC-905-HC

\_\_\_\_\_ WASH DOWN, HDC-905-WD

\_\_\_\_\_ GAS POWERED/PORTABLE, HDC-900-GPT

ADDITIONAL OPTIONS: \_\_\_\_\_

\_\_\_\_\_  
\_\_\_\_\_

**Application / Additional Notes:** \_\_\_\_\_

\_\_\_\_\_  
\_\_\_\_\_  
\_\_\_\_\_  
\_\_\_\_\_  
\_\_\_\_\_  
\_\_\_\_\_  
\_\_\_\_\_

### Quote options:

\_\_\_\_\_ Exactly as specified \_\_\_\_\_ Least Expensive / Closest to Vestil standard

\_\_\_\_\_ Quickest to ship

Requested Delivery Date: \_\_\_\_\_

\*All options may not be available on all models

\*NO DRUM CRUSHERS FOR CLASSIFIED LOCATIONS

Vestil Manufacturing Company \* Angola, IN 46703 \* Ph- 260-665-7586 \* Fx- 260-665-1339