

Inquiry Date: ____ / ____ / ____ Due Date ____ / ____ / ____
 Contact: _____
 Company: _____
 Phone: (____) ____ - ____ x ____
 Fax: (____) ____ - ____
 E-mail: _____

**Steel Square
 Safety Handrail
 Survey Sheet**

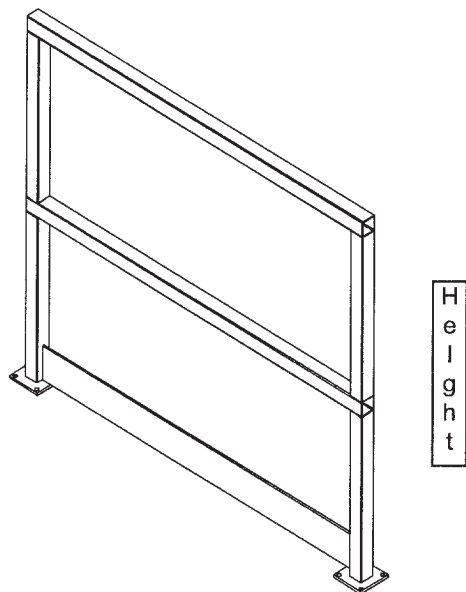
SQ-XX-TB
Model Number

HANDRAIL SIZE

Not Critical

Width / Tube
 Size

Overall Length: _____
 Usable Length: _____
 Overall Height: _____
 Tube Size (Square): _____ **X** _____
 Mid Rail: _____
 Toe Board: _____



Length

(Toe Board not standard on all models)

Options:

____ Special Color _____ List Color

Application Information:

Additional Notes:

Vestil Manufacturing Company * Angola, IN 46703 * Ph- 260-665-7586 * Fx- 260-665-1339

*All options may not be available on all models