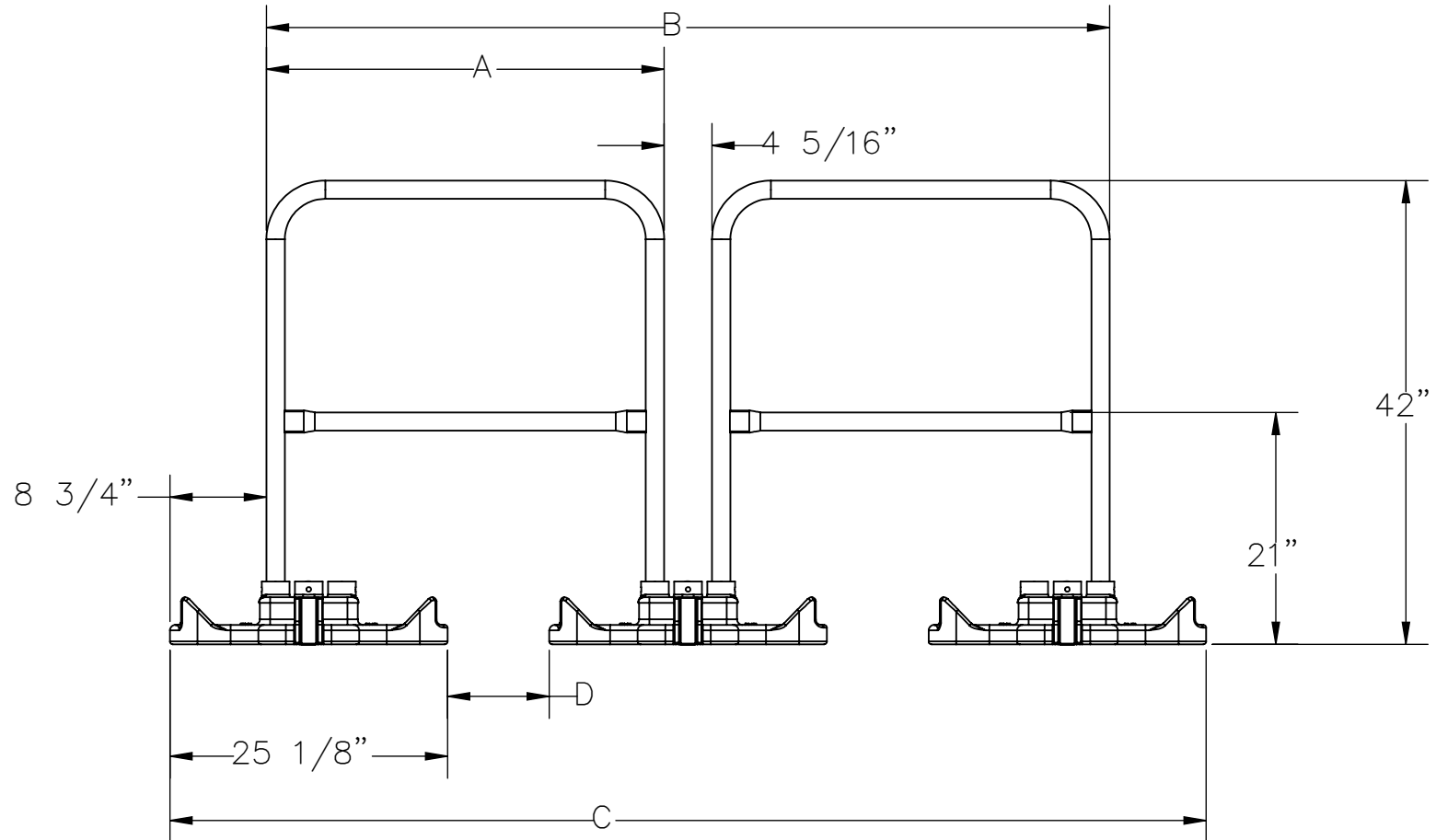


MODEL NUMBER	DIM. A	DIM. B	DIM. C	DIM. D
VDKR-3	36	76 5/16	93 13/16	18 1/2
VDKR-4	48	100 5/16	117 13/16	30 1/2
VDKR-5	60	124 5/16	141 13/16	42 1/2
VDKR-6	72	148 5/16	165 13/16	54 1/2
VDKR-7	84	172 5/16	189 13/16	66 1/2
VDKR-8	96	196 5/16	213 13/16	78 1/2

SURVEY SHEET TEMPLATE



Vestil Manufacturing Co.

MODEL NO:
VDKR-BASE

DESCRIPTION:
GENERAL, PRODUCT INFO. LAYOUT INFO.

DRAWN BY:
T.LAPHAM

DWG. NO.
23-047-001