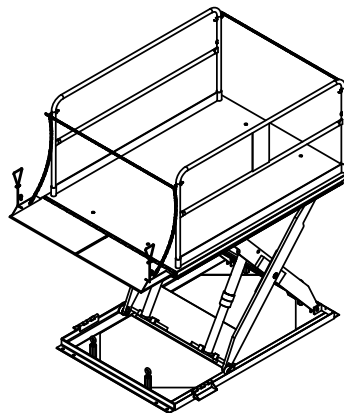


# Truck Scissor Dock Survey Sheet - WL-100

Inquiry Date: \_\_\_\_\_ Due Date: \_\_\_\_\_  
 Contact: \_\_\_\_\_  
 Company: \_\_\_\_\_  
 Phone: \_\_\_\_\_  
 Fax: \_\_\_\_\_  
 E-mail: \_\_\_\_\_



**PLATFORM SIZE** **Not Critical**

Overall Width: \_\_\_\_\_  
 Overall Length: \_\_\_\_\_  
 Usable Width: \_\_\_\_\_  
 Usable Length: \_\_\_\_\_

**Travel:**

Lowered Ht.: \_\_\_\_\_  
 Raised Ht.: \_\_\_\_\_  
 Travel: \_\_\_\_\_

**Table Capacity:** \_\_\_\_\_

**Previous Quote or Order #:** \_\_\_\_\_

**POWER (Check One)**

\_\_\_\_\_ A/C (110V \_\_\_\_\_ 220V \_\_\_\_\_ 460V \_\_\_\_\_ Other \_\_\_\_\_ )  
 \_\_\_\_\_ Single Phase \_\_\_\_\_ Three Phase

Controls: (HAND STD FOOT \_\_\_\_\_ NONE \_\_\_\_\_)

Power Unit: EXTERNAL STD INTERNAL \_\_\_\_\_

IF External - Length on Cords (8' STD) \_\_\_\_\_

**PRODUCT INFO**

Load / Product type:  
 Basket / Pallet / Gaylord / Skid  
 Other: \_\_\_\_\_

Product Size:  
 Length: \_\_\_\_\_  
 Width: \_\_\_\_\_  
 Height: \_\_\_\_\_

Does container have feet? \_\_\_\_\_  
 Does container have drop sides?  
 Yes / No

**Options:**

\_\_\_\_\_ Accordion Skirting (Bellows) **NOT FOR USE IN PIT APP. DOES NOT MEET ANSI MH29.1**

\_\_\_\_\_ Special Color: \_\_\_\_\_ RAL #: \_\_\_\_\_

\_\_\_\_\_ Surface Mt. \_\_\_\_\_ Pit Mount (No Accordion Skirts on Pit Mt. units)

\_\_\_\_\_ Portable WL-WK Wheel kit (5K & 6K ONLY)

Additional options: \_\_\_\_\_  
 \_\_\_\_\_  
 \_\_\_\_\_

**Pit Info:**

\_\_\_\_\_ Existing Pit \_\_\_\_\_ New Pit Construction

\_\_\_\_\_ Pit Dimensions w/ Drawing: \_\_\_\_\_

\_\_\_\_\_ Reinforcing Angle \_\_\_\_\_ Dock Height / If Applicable: \_\_\_\_\_

**Application Information:**

Special Temperature requirements: \_\_\_\_\_

Minimum Working Temperature: \_\_\_\_\_

Side Loading: \_\_\_\_\_

Special Loading and Unloading Requirements: \_\_\_\_\_

**Additional Notes:**

\_\_\_\_\_  
 \_\_\_\_\_  
 \_\_\_\_\_

**Quote options:**

\_\_\_\_\_ Exactly as specified \_\_\_\_\_ Cheapest / Closest to Vestil standard

\_\_\_\_\_ Quickest to ship

Requested Delivery Date: \_\_\_\_\_

\*All options may not be available on all models

Vestil Manufacturing Company \* Angola, IN 46703 \* Ph- 260-665-7586 \* Fx- 260-665-1339